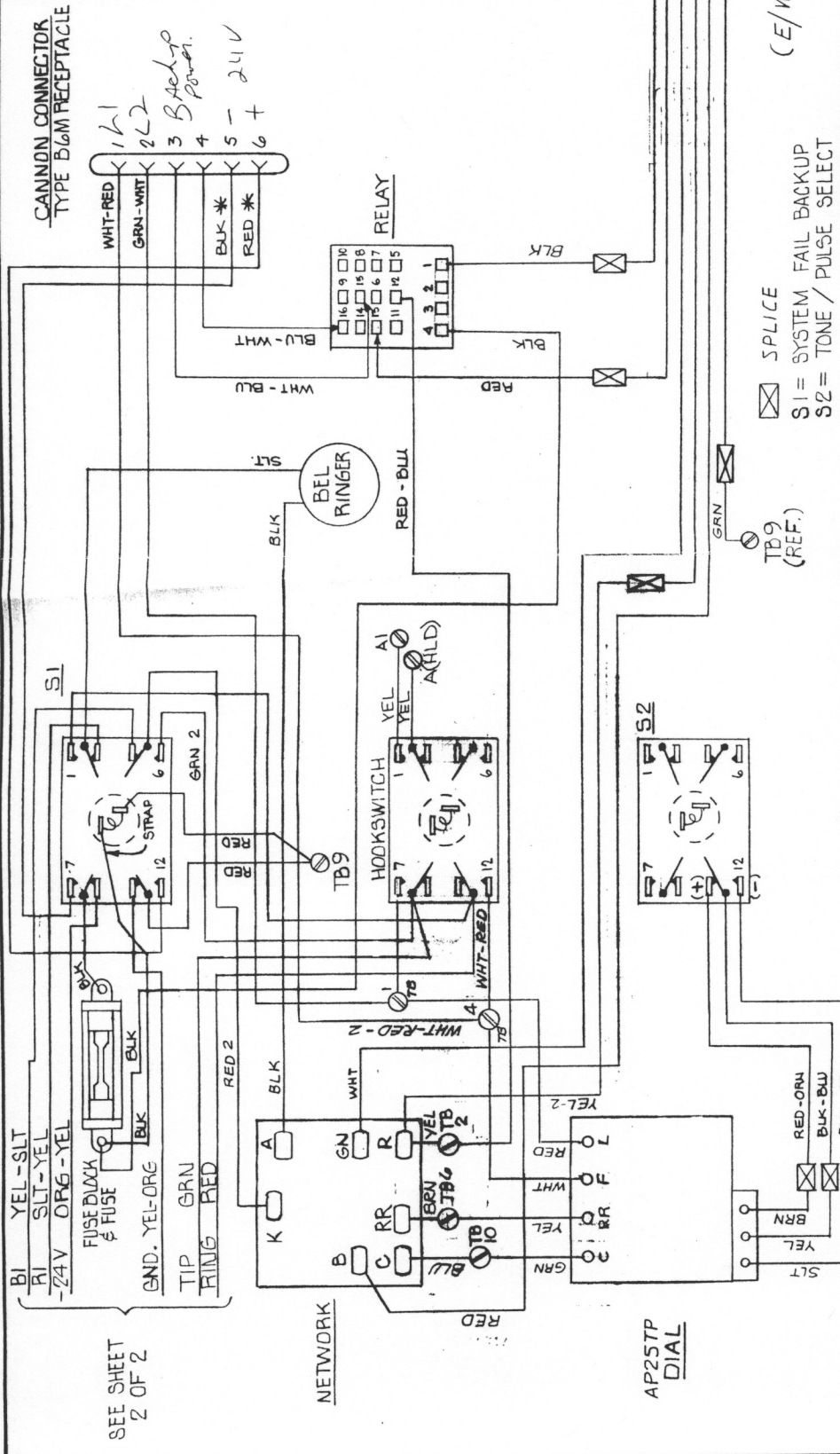


Allen Tel Products, Inc
5-Line Pulse / Tone Telephone Panel Set
model no. HARRIS CORP.
B-30147-5-SPECIAL

"not an official document"



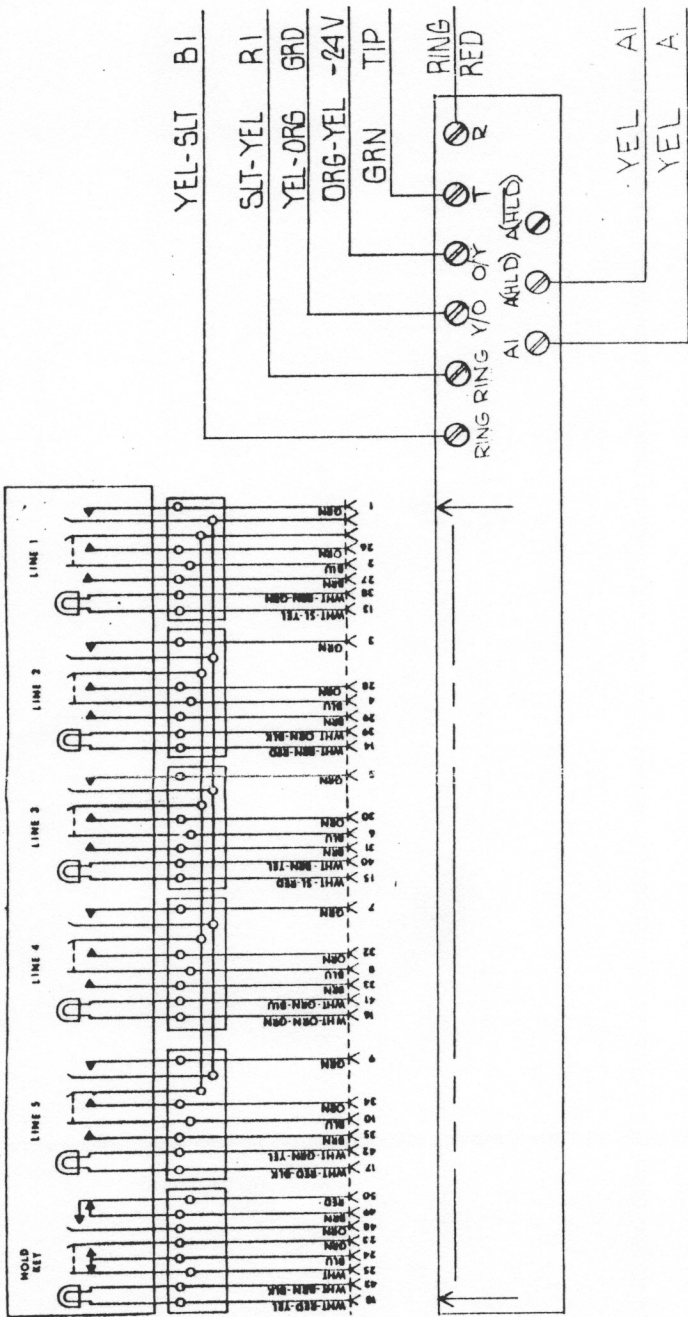
LTR	REVISIONS	DATE	APP BY
A	E.O. 30147-5-SP	7/85	RD
B	E.O. 30147-5-SP	3/9/85	RD
C	E.O. 30147-5-SP	9-25-85	RD
D	E.O. 30147-5-SP	12-17-86	RD
E	E.O. 30147-5-SP	8-31-87	RD
F	E.O. 30147-5-SP	12-4-87	RD



TITLE: 5 LINE PULSE/TONE PANEL TEL SET	
MODEL NO.: HARRIS CORP.	
NEXT ASSEM.:	
SHEET: 3 of 3	
SIZE: B 30147-5-SPECIAL	

DATE: 12-18-84	SCALE: NONE
DRAWN BY: M. MCKAY	APPROVED BY: <i>[Signature]</i>
CHECKED BY: <i>[Signature]</i>	TOLERANCES: ± 1/64
UNLESS OTHERWISE SPECIFIED DIMENSIONS ARE IN INCHES	DECIMALS: ± .XXX - .02
DO NOT SCALE THIS DRAWING FOR DIMENSIONS	ANGLES: ± 0°30'
UNLESS OTHERWISE SPECIFIED	

THESE DRAWINGS AND SPECIFICATIONS ARE THE PROPERTY OF ALLEN TEL PRODUCTS INC. AND MAY BE USED FOR THE MANUFACTURE OR SALE OF APPARATUS WITHOUT WRITTEN PERMISSION.



GB 30207
ADAPTER CABLE

SEE SHEET
2 OF 2

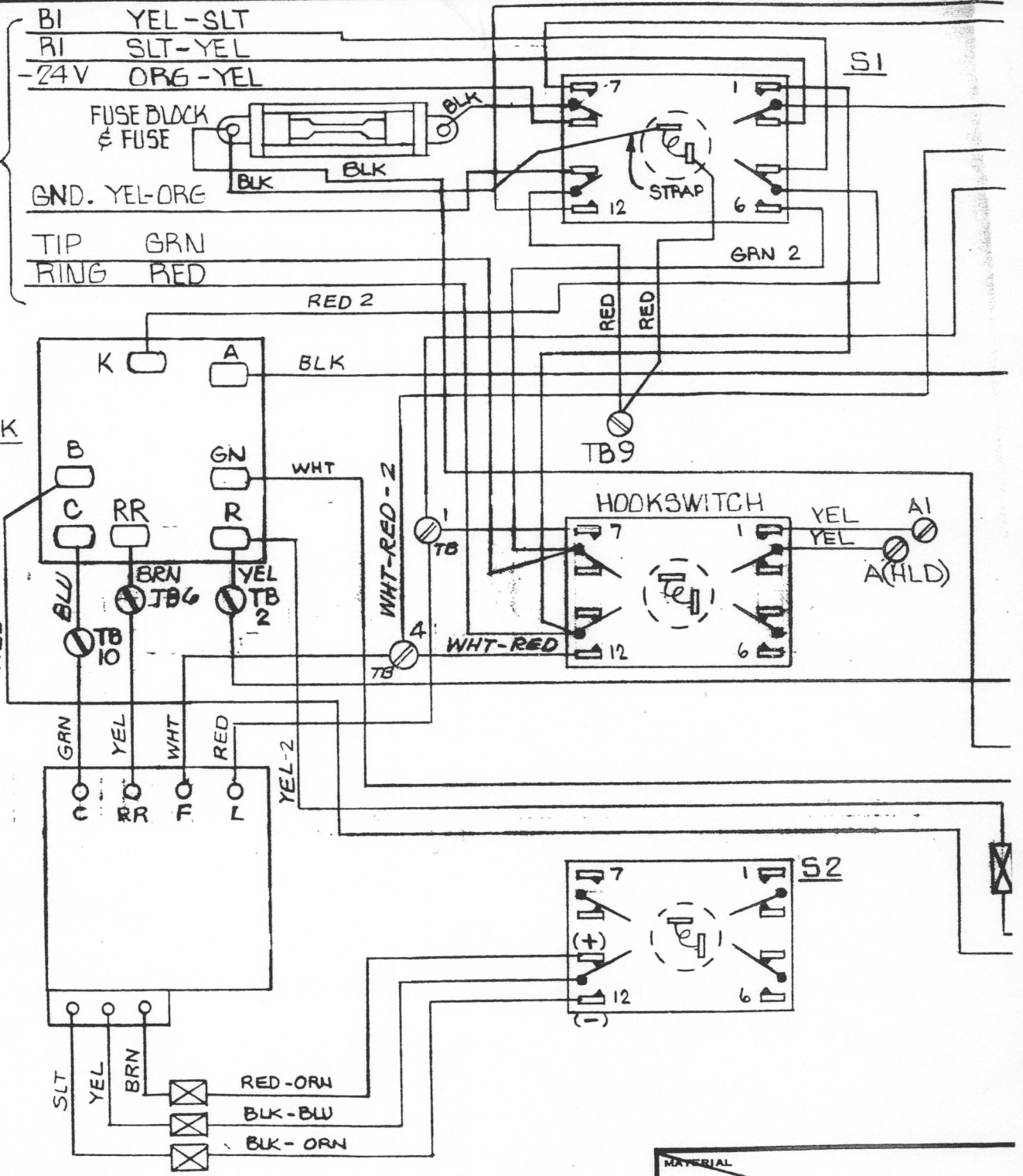
BI YEL-SLT
RI SLT-YEL
-24V ORG-YEL

FUSE BLOCK & FUSE
GND. YEL-ORG

TIP GRN
RING RED

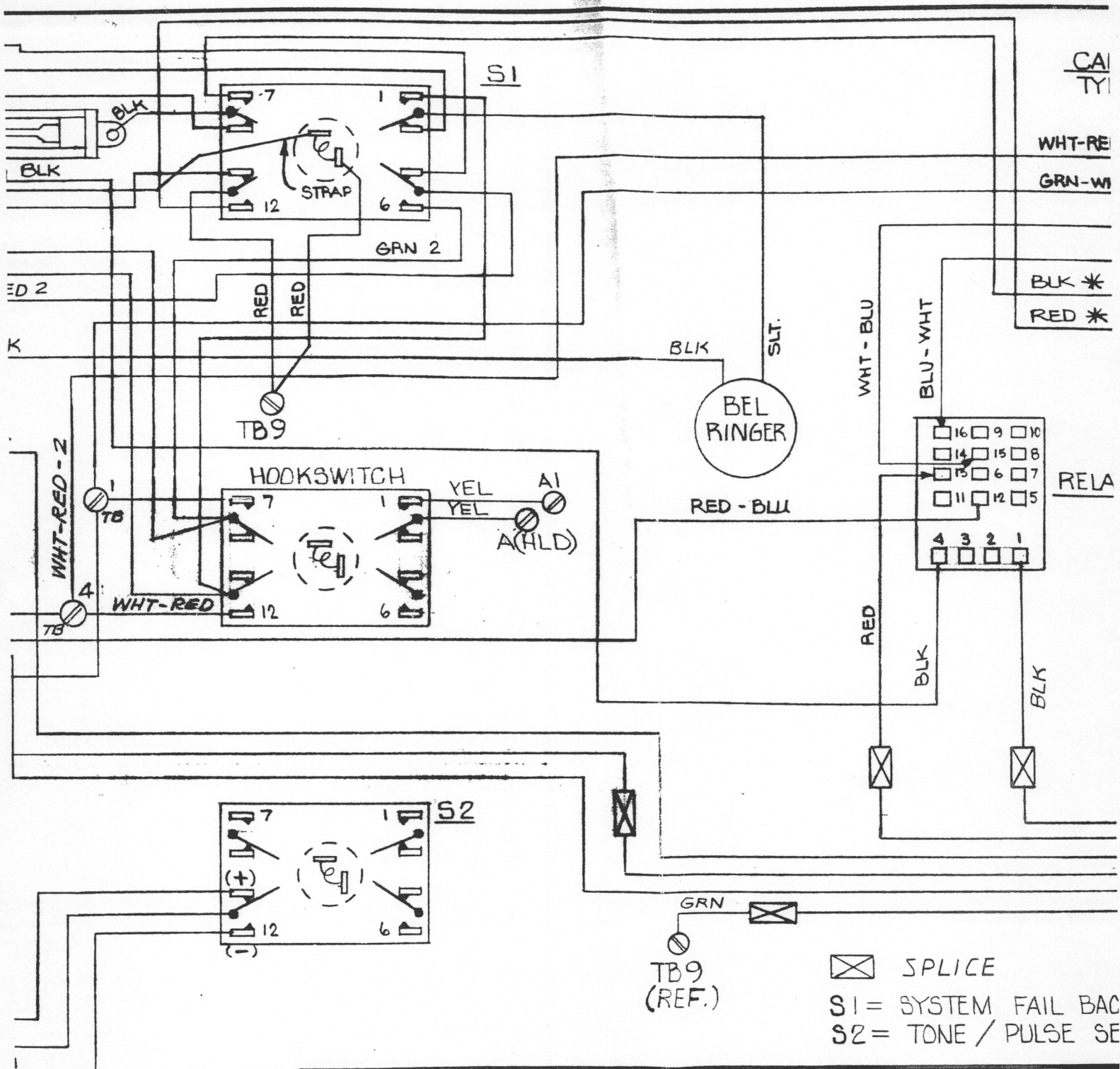
NETWORK

AP25TP
DIAL



MATERIAL	
FINISH	

THESE DRAWINGS AND SPECIFICATIONS ARE THE PROPERTY OF ALLEN TEL PRODUCTS, INC. - THEY SHALL NOT BE REPRODUCED, COPIED OR USED AS THE BASIS FOR THE MANUFACTURE OR SALE OF APPARATUS WITHOUT WRITTEN PERMISSION.



⊗ SPLICE

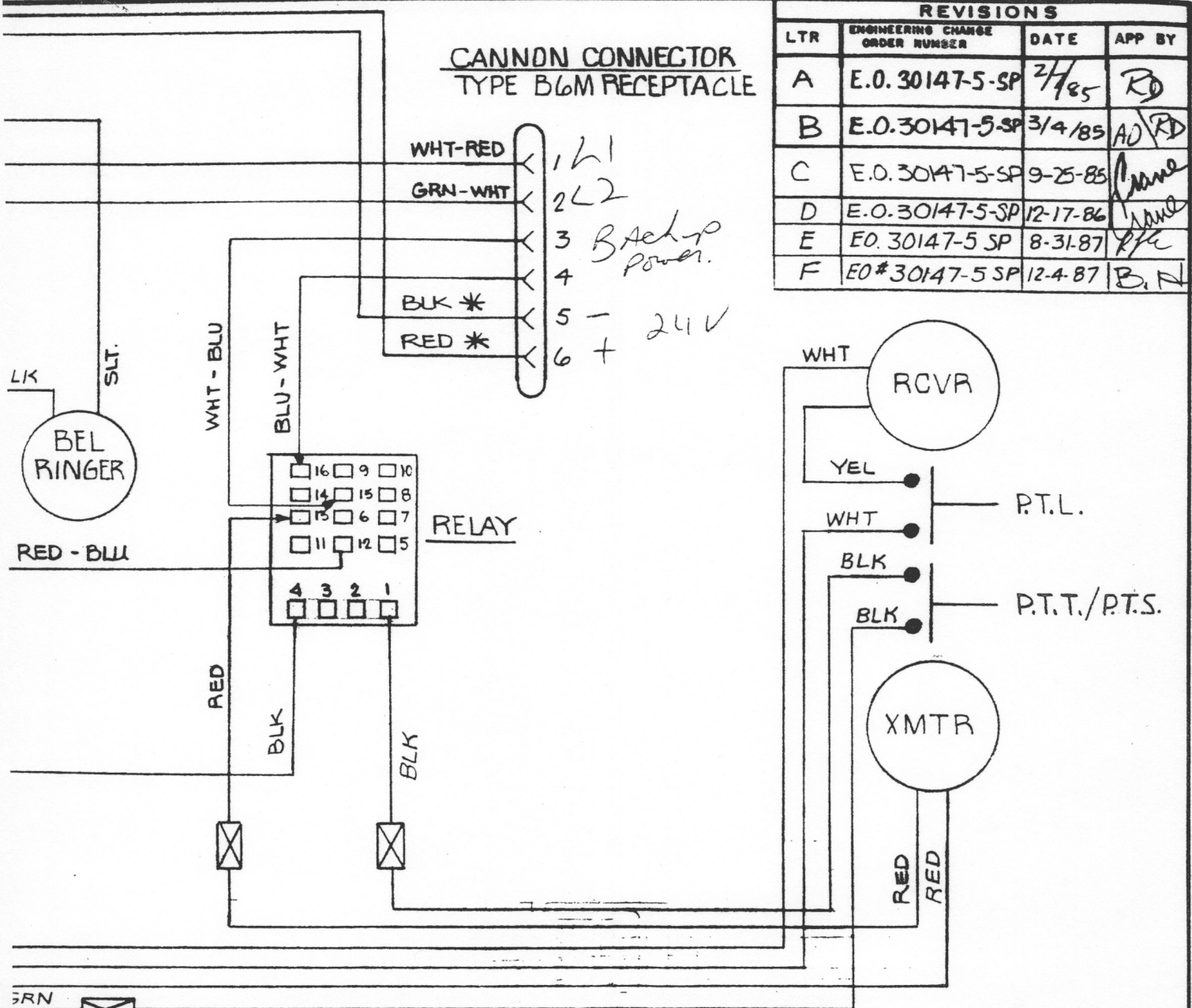
S1 = SYSTEM FAIL BAC

S2 = TONE / PULSE SE

MATERIAL	DATE	12-18-84	SCALE	NONE
	DRAWN BY	M. MCKAY	ENGINEER	<i>Crane</i>
FINISH	CHECKED BY	<i>R. Downea</i>	APPROVED BY	
	UNLESS OTHERWISE SPECIFIED DIMENSIONS ARE INCHES		TOLERANCES	MODEL 1
DO NOT SCALE THIS DRAWING FOR DIMENSIONS		FRACTIONS ± 1/64		NEXT AS
THESE DRAWINGS AND SPECIFICATIONS ARE THE PROPERTY OF ALLEN TEL PRODUCTS, INC. - THEY SHALL NOT BE REPRODUCED, COPIED OR USED AS THE BASIS FOR THE MANUFACTURE OR SALE OF APPARATUS WITHOUT WRITTEN PERMISSION.		DECIMALS ± .XX = .02		SIZE
		± .XXX = .010		B
		ANGLES ± 0°30'		
		UNLESS OTHERWISE SPECIFIED		

**CANNON CONNECTOR
TYPE B6M RECEPTACLE**


REVISIONS			
LTR	ENGINEERING CHANGE ORDER NUMBER	DATE	APP BY
A	E.O. 30147-5-SP	2/1/85	RD
B	E.O. 30147-5-SP	3/4/85	AD/RD
C	E.O. 30147-5-SP	9-25-85	Crane
D	E.O. 30147-5-SP	12-17-86	Crane
E	E.O. 30147-5-SP	8-31-87	RFC
F	E.O. #30147-5-SP	12-4-87	B.N.

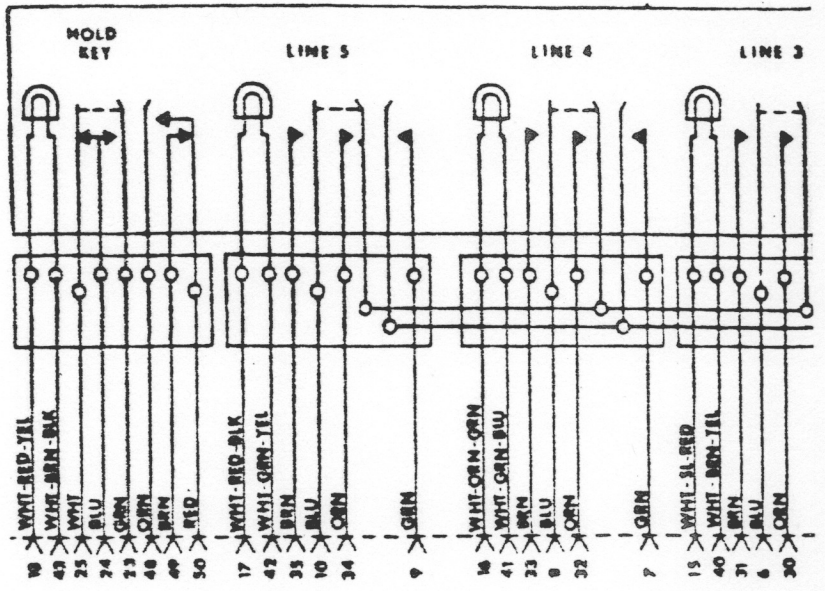


⊗ SPLICE

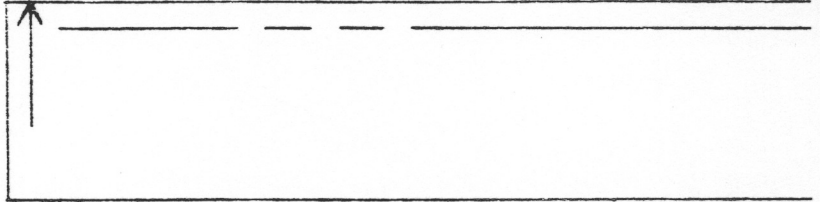
S1 = SYSTEM FAIL BACKUP
S2 = TONE / PULSE SELECT

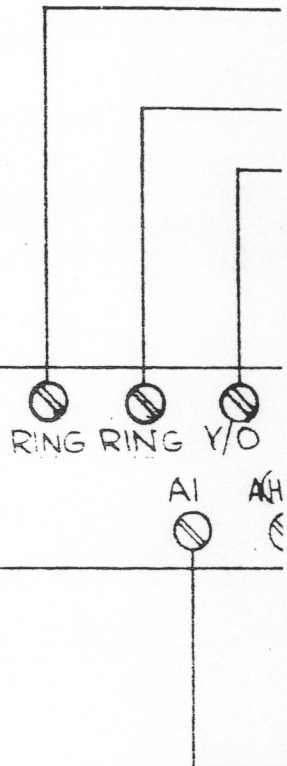
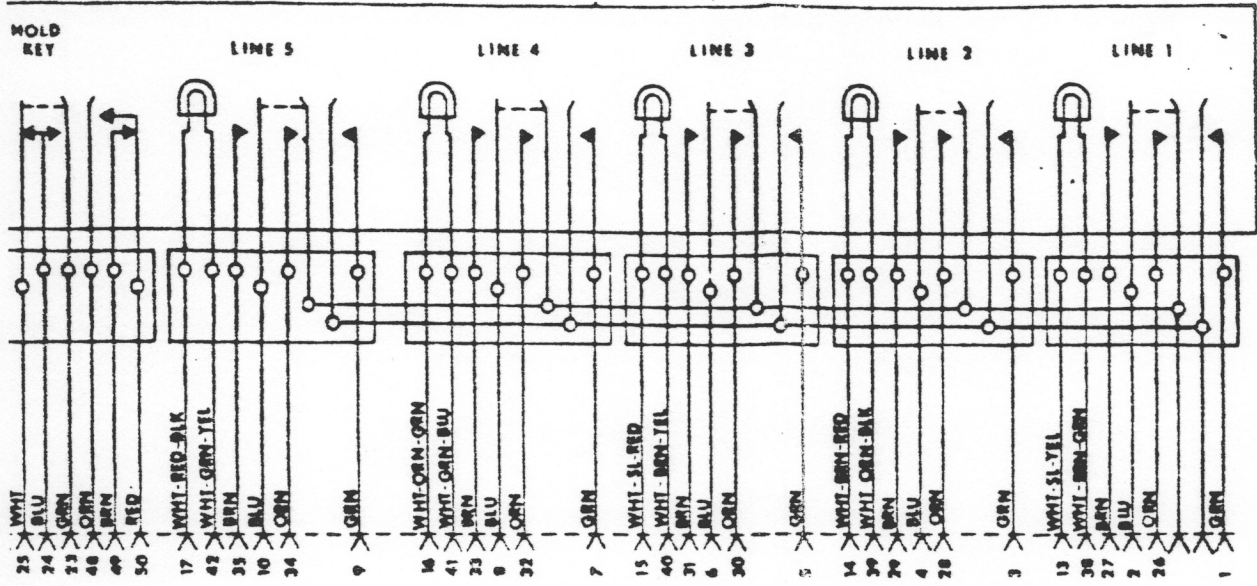
(E/W SLTP-25 DIAL)

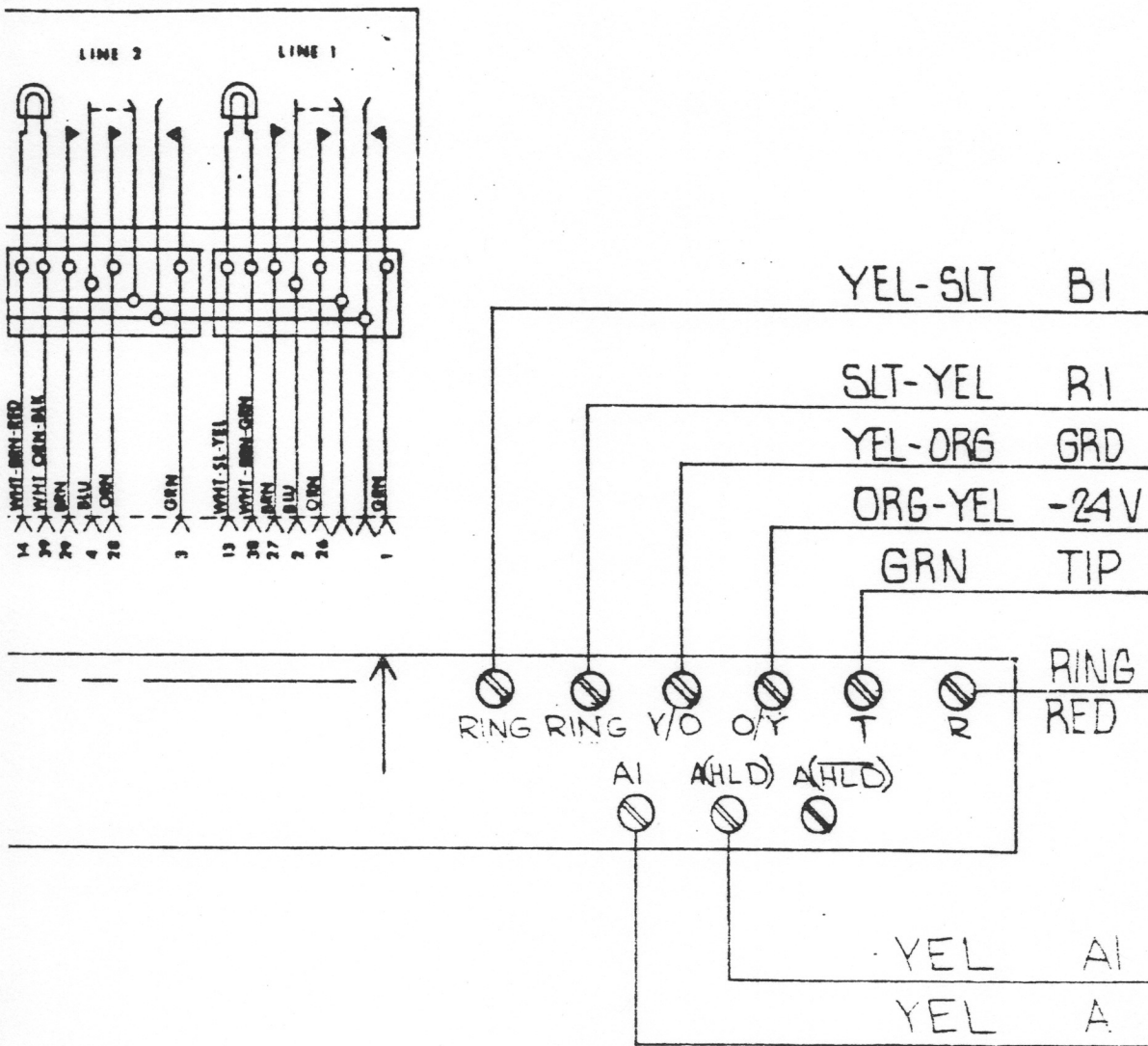
12-18-84	SCALE NONE	 <p>Allen Tel Products, Inc 2211 SO. SUSAN ST., SANTA ANA, CALIFORNIA 92704</p>
DESIGNED BY A. MGKAY	ENGINEER <i>Crane</i>	
APPROVED BY <i>[Signature]</i>	TOLERANCES FRACTIONS ± 1/64 DECIMALS ± .XX = .02 ± .XXX = .010 ANGLES ± 0°30'	TITLE 5 LINE PULSE/TONE PANEL TEL SET
IS OTHER WISE SPECIFIED DIMENSIONS ARE INCHES	MODEL NO. HARRIS CORP.	NEXT ASSEM.
IF SCALE THIS DRAWING DIMENSIONS	SIZE B	SHEET 3 OF 3
30147-5-SPECIAL		




GB 30207
ADAPTER CABLE







SIZE	I.D. NO.	DWG NO.
B		30147-5-SPECIAL
SCALE	SHT. 2 OF 2	