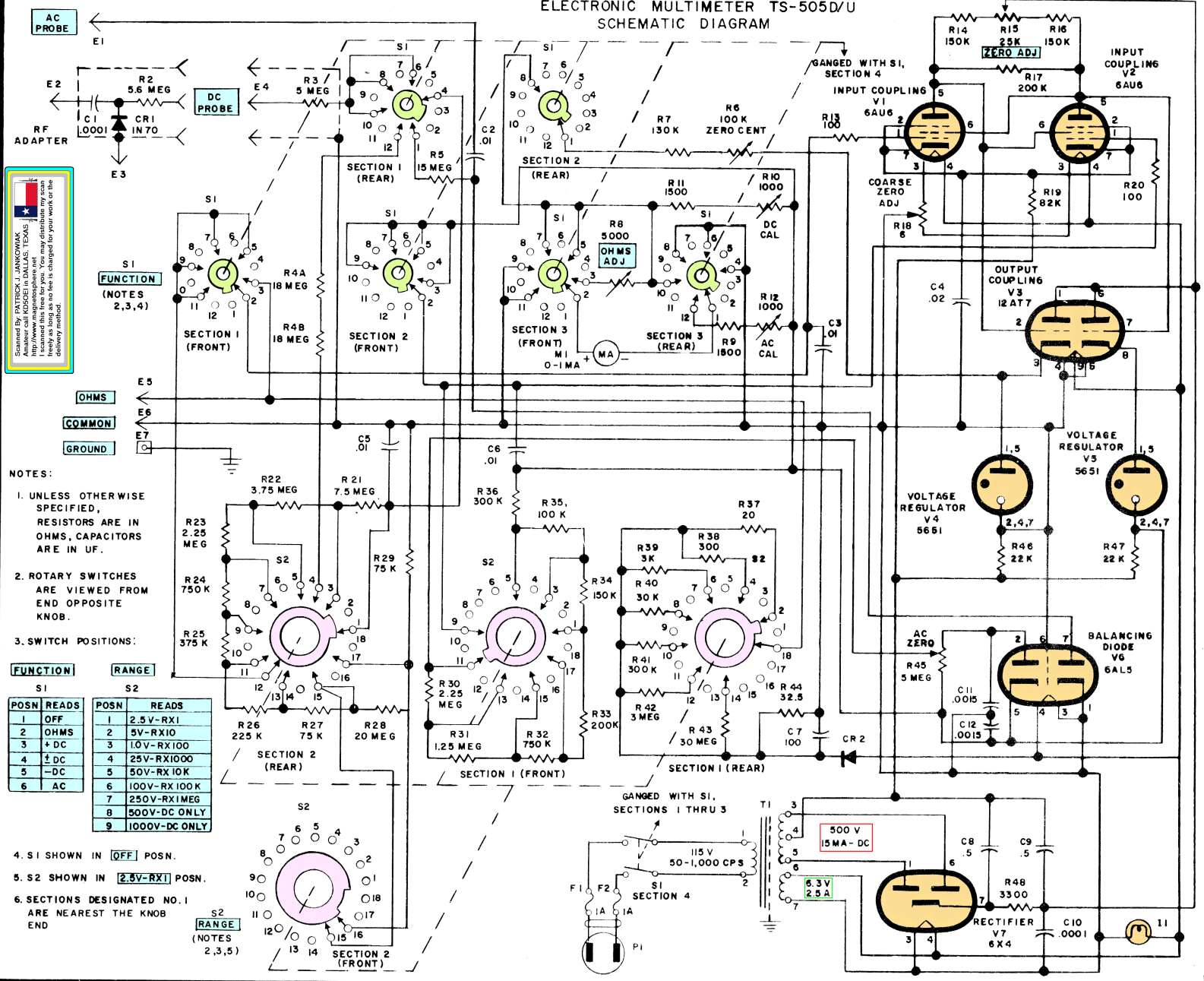


ELECTRONIC MULTIMETER TS-505D/U SCHEMATIC DIAGRAM



Scanned by PATRICK J. JANKOWAK
Amateur call K0DDEI in DALLAS, TEXAS
http://www.amateurcall.com
I am not responsible for any damage or loss
freely as long as no fee is charged for your work or the
delivery method.

- NOTES:
- UNLESS OTHERWISE SPECIFIED, RESISTORS ARE IN OHMS, CAPACITORS ARE IN UF.
 - ROTARY SWITCHES ARE VIEWED FROM END OPPOSITE KNOB.
 - SWITCH POSITIONS:

FUNCTION		RANGE	
POSN	READS	POSN	READS
1	OFF	1	2.5V-RX1
2	OHMS	2	5V-RX10
3	+ DC	3	10V-RX100
4	DC	4	25V-RX1000
5	- DC	5	50V-RX10K
6	AC	6	100V-RX100K
		7	250V-RX1MEG
		8	500V-DC ONLY
		9	1000V-DC ONLY

- S1 SHOWN IN [OFF] POSN.
- S2 SHOWN IN [2.5V-RX1] POSN.
- SECTIONS DESIGNATED NO. 1 ARE NEAREST THE KNOB END

RANGE
(NOTES 2,3,5)