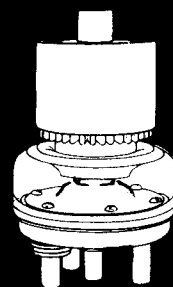
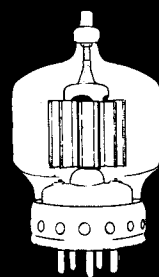
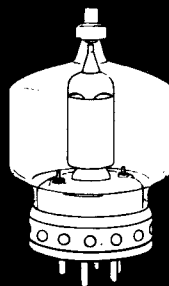
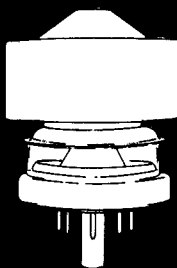
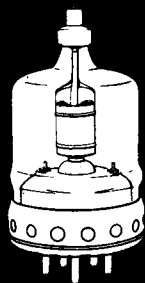
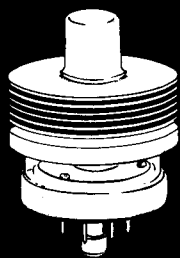
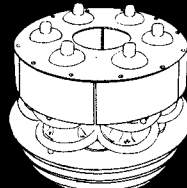
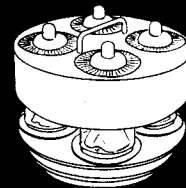
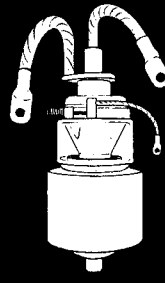
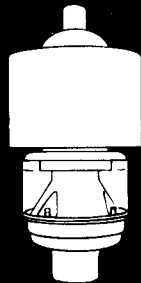
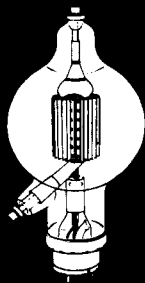
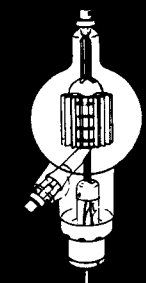
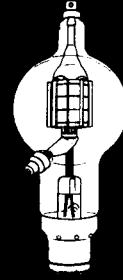
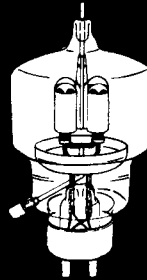
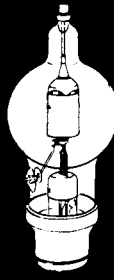
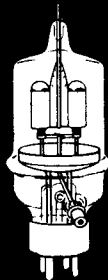
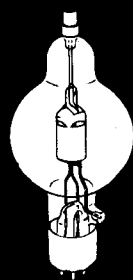
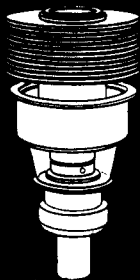
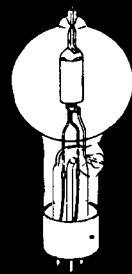
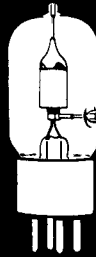
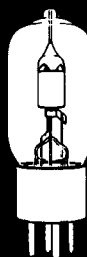
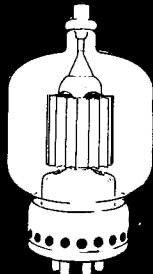
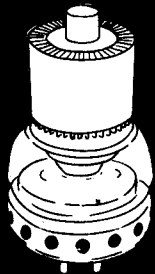


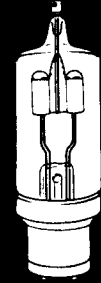
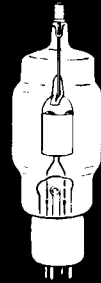
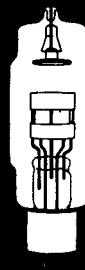
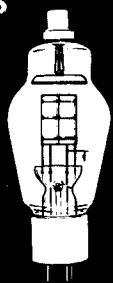
TETRODES



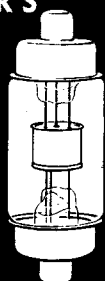
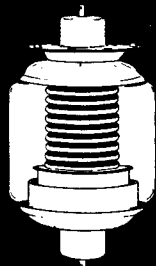
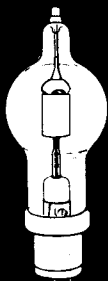
TRIODES



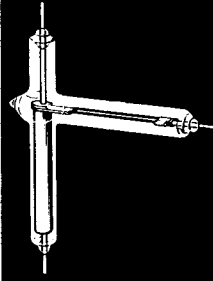
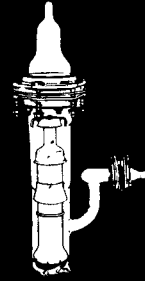
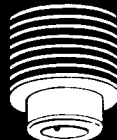
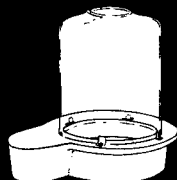
RECTIFIERS



CAPACITORS



MISCELLANEOUS



EIMAC TRANSMITTING TUBES

TUBE TYPES	MAXIMUM RATINGS						ELECTRICAL CHARACTERISTICS							DIMENSIONS		TUBE PRICE	RECOMMENDED HR. HEAT DISSIPATING CONNECTORS		
	PLATE DISSIPATION, WATTS	PLATE VOLTAGE	PLATE CURRENT MILLIAMPERES	GRID DISSIPATION, WATTS	SCREEN VOLTAGE	SCREEN DISSIPATION, WATTS	FILAMENT, VOLTS	FILAMENT, AMPERES	AMPLIFICATION FACTOR	GRID-PLATE, MMF	INPUT, MMF	OUTPUT, MMF	TRANSCONDUCTANCE, UMHOS	LENGTH, INCHES	DIAMETER, INCHES		PLATE	GRID	
TETRODES	4-65A	65	3000	150	5	400	10	6.0	3.5	5	0.08	8.0	2.1	4000	4.25	2.31	14.50	HR6
	4X100A*	100	1000	250	2	300	15	6.0	2.8	4.5	0.02	14.1	4.7	12,000	2.87	1.64	30.00	HR6
	4-125A	125	3000	225	5	400	20	5.0	6.5	6.2	0.05	10.8	3.1	2450	5.69	2.87	27.50	HR6
	4X150A*	150	1000	250	2	300	15	6.0	2.8	4.5	0.02	14.1	4.7	12,000	2.47	1.64	34.00
	4-250A	250	4000	350	5	600	35	5.0	14.5	5.1	0.12	12.7	4.5	4000	6.38	3.56	37.50	HR6
	4-400A	400	4000	350	5	600	35	5.0	14.5	5.1	0.12	12.5	4.7	4000	6.38	3.56	55.00	HR6
	4X500A*	500	4000	350	10	500	30	5.0	13.5	6.2	0.05	12.8	5.6	5200	4.75	2.63	97.50
	4X500F*	500	4000	350	10	500	30	5.0	12.2	6.2	0.05	11.1	3.7	5200	5.38	2.75	85.00
4-1000A	1000	6000	700	25	1000	75	7.5	21	7.2	0.24	27.2	7.6	10,000	9.5	5.12	120.00	HR8	
TRIODES	25T	25	2000	75	7	6.3	3.0	24	1.5	2.7	0.3	2500	4.38	1.43	8.00	HR1
	3C24	25	2000	75	8	6.3	3.0	23	1.5	1.7	0.3	2500	4.38	1.43	8.00	HR1	HR1
	35T	50	2000	150	15	5.0	4.0	39	1.8	4.1	0.3	2850	5.5	1.81	9.50	HR3
	35TG	50	2000	150	15	5.0	4.0	39	1.8	2.5	0.4	2850	5.75	1.81	10.00	HR3	HR3
	75TH	75	3000	225	16	5.0	6.25	20	2.3	2.7	0.3	4150	7.25	2.81	12.00	HR3	HR2
	75TL	75	3000	225	13	5.0	6.25	12	2.4	2.6	0.4	3350	7.25	2.81	12.00	HR3	HR2
	2C39*	100	1000	100†	3	6.3	1.1	100	1.9	6.5	0.03	17,000	2.75	1.26	33.00
	100TH	100	3000	225	20	5.0	6.3	40	2.0	2.9	0.4	5500	7.75	3.19	16.50	HR6	HR2
	100TL	100	3000	225	15	5.0	6.3	14	2.0	2.3	0.4	2300	7.75	3.19	16.50	HR6	HR2
	152TH	150	3000	450	30	5 or 10	12.5 or 6.2	20	4.8	5.7	0.8	8300	7.63	3.0	26.00	HR5	HR6
	152TL	150	3000	450	25	5 or 10	12.5 or 6.2	12	4.4	4.5	0.7	7150	7.63	3.0	26.00	HR5	HR6
	250TH	250	4000	350	40	5.0	10.5	37	2.9	5.0	0.7	6650	10.13	3.81	30.00	HR6	HR3
	250TL	250	4000	350	35	5.0	10.5	14	3.1	3.7	0.7	2650	10.13	3.81	30.00	HR6	HR3
	304TH	300	3000	900	60	5 or 10	25 or 12.5	20	10.2	13.5	0.7	16,700	7.63	3.56	55.00	HR7	HR6
	304TL	300	3000	900	50	5 or 10	25 or 12.5	12	9.1	8.5	0.6	16,700	7.63	3.56	55.00	HR7	HR6
	450TH	450	6000	600	80	7.5	12.0	38	5.0	8.8	0.8	6650	12.63	5.13	70.00	HR8	HR8
	450TL	450	6000	600	65	7.5	12.0	18	5.2	7.3	0.9	6060	12.63	5.13	70.00	HR8	HR8
	750TL	750	10,000	1000	100	7.5	21.0	15	5.8	8.5	1.2	3500	17.0	7.13	125.00	HR8	HR8
	1000T	1000	7,500	750	80	7.5	17.0	35	5.1	9.3	0.5	9050	12.63	5.13	125.00	HR9	HR9
	1500T	1500	8,000	1250	125	7.5	24.0	24	7.2	9.9	1.5	10,000	17.0	7.13	200.00	HR8	HR9
	2000T	2000	8,000	1750	150	10.0	25.0	23	8.5	12.7	1.7	11,000	17.75	8.13	250.00	HR8	HR9
	3X2500A3*	2500	6,000	2000	150	7.5	48	20	20	48	1.2	20,000	9.0	4.16	180.00
	3X2500F3*	2500	6,000	2000	150	7.5	48	20	20	48	1.2	20,000	9.0	4.16	180.00
3X12500A3*	12,500	6,000	8000	600	7.5	192	20	95	240	5	80,000	9.5	11.06	875.00	
3X20000A3*	20,000	6,000	12,000	900	7.5	288	20	120,000	10.0	12.5	1275.00	

EIMAC RECTIFIERS

	MERCURY VAPOR RECTIFIERS				HIGH VACUUM RECTIFIERS			
	866A (866)	RX21A (RX21)	872A (872)	KY21A (KY21) <small>(Grid Control)</small>	2-01C	100-R	2-150D (152-RA)	250-R
Filament Voltage	2.5	2.5	5.0	2.5	5.3	5.0	5.0	5.0
Filament Current	5.0 amp.	10 amp.	7.5 amp.	10 amp.	0.4	6.5	13.0	10.5
Peak Inverse Voltage	10,000	11,000	10,000	11,000	1000	40,000	30,000	60,000
Peak Plate Current	1.0 mp.	3 amp.	5.0 amp.	3 amp.	0.010
Average Plate Current	.25 amp.	.75 amp.	1.25 amp.	.75 amp.100 amp.	.150 amp.	.250 amp.
Price	\$1.75	\$8.00	\$7.50	\$12.00	\$6.75	\$13.50	\$17.50	\$20.00

EIMAC VACUUM CAPACITORS

Type	VARIABLE		FIXED						
	VVC60	VC6-20	VC12-20	VC25-20	VC50-20	VC6-32	VC12-32	VC25-32	VC50-32
Capacity	10-60 mmf	6-mmf	12-mmf	25-mmf	50-mmf	6-mmf	12-mmf	25-mmf	50-mmf
Rating	20-KV	20-KV	20-KV	20-KV	20-KV	32-KV	32-KV	32-KV	32-KV
RF Peak
Price	\$60.00	\$13.50	\$15.00	\$18.00	\$22.00	\$15.50	\$18.00	\$21.00	\$25.00

DIFFUSION PUMP

HV-1 Diffusion Pump An air-cooled, oil diffusion type, vacuum pump. Ultimate vacuum, 4x10 ⁻⁶ mm of mercury. Speed (without baffle) approx. 67 liters/seconds.	\$125.00
100 IG, Ionization Gauge An electronic vacuum pressure gauge. Filament voltage 3.5 to 7.5 volts.	\$22.50
Eimac Pump Oil A	\$5.00 qt.

AIR-SYSTEM SOCKETS

Complete Assembly	
4-400A/4000	16.00
4-1000A/4000	22.50
Replacement Chimney	
4-400A/4006	6.00
4-1000A/4006	7.50

HEAT DISSIPATING CONNECTORS

Type	Hole Dia.	Price	HR-5	HR-6	HR-7	HR-8	HR-9
HR-1	.052	\$.60	.125	.360	.125	.570	3.00
HR-2	.0625	.60					
HR-3	.070	.60					
HR-4	.1015	.80					

EIMAC VACUUM SWITCHES

Type	General Data	Price
VS-2	Single pole double throw switch within a high vacuum adaptable for high voltage switching. Contact spacing .015". Switch will handle R-F potentials as high as 20 Kv. in DC switching will handle approximately 1.5 Amps at 5 Kv.	\$12.00
VS-1	Same as above except for slightly smaller glass tubulation.	\$12.00



AN EIMAC DEALER IS NEAR YOU

For Your Assurance to Obtain The Most Modern, Guaranteed Eimac Tubes—Purchase Only from These Authorized Distributors

ALASKA

Anchorage
Alaska Radio Supply, Inc.
Box 84

Fairbanks
Fairbanks Radio Supply Co.
329 Third Ave.,
P. O. Box 1385

ALABAMA

Birmingham
Ack Radio Supply Co.
223 North 22nd St.
James W. Clary Co.
2024 North 4th Ave.

Mobile
Harris Supply Co.
PO Box 1009
10 N. Water St.

Montgomery
Nolin-McInnis, Inc.
PO Box 2229
205 Commerce St.
Southeastern Radio Parts Co.
210 N. Court St.

ARIZONA

Phoenix
Radio Parts of Arizona
36 West Madison St.
Radio Supply Co.
500 W. Washington St.
Radio Specialties &
Appliance Corp.
401 W. Jackson St.

Tucson
Elliott Electronics
418 N. 4th Ave.

ARKANSAS

Ft. Smith
Wise Radio Supply
914 Towson St.

Little Rock
Southern Radio Supply
1419 Main St.
Tanner Radio & Electric Co.
906 Main St.

Texarkana
Lavender Radio Supply Co.
PO Box 596

CALIFORNIA

Bakersfield
Valley Radio Supply
716 Baker St.

Burbank
Valley Electronic Supply Co.
1302 W. Magnolia Blvd.

Fresno
Arbuckle Radio Mfg. Co.
1427 Broadway
B. J. DeJarnatt Wholesale
Radio Co.
1260 Van Ness Ave.
Martin Distributing Co., Inc.
2618 Tulare

Glendale
Hagerty Radio Supply
6826 San Fernando Road

Los Angeles
Graybar Electric Co., Inc.
201 Santa Fe Ave.
Henry Radio
11240 West Olympic
Kierulff & Company
1837 Flower St.
Leo J. Meyberg Co.
2027 S. Figueroa St.
Radio Products Sales Co.
1501 South Hill
Radio Specialties Co.
1956 So. Figueroa St.

Radio Television Supply Co.
1509 S. Figueroa St.

Long Beach

Fred S. Dean Co.
969 American Ave.
Scott Radio Supply
266 Alamitos Ave.

Modesto

Jack Warren Wholesale
Radio Supply
209 Yosemite Blvd.

Oakland

W. D. Brill Co.
10th & Jackson Sts.
Electric Supply Co.
149 - 12th St.
E. C. Wenger Co.
1450 Harrison St.

Pasadena

Dow Radio Supply Co.
1759 E. Colorado St.

Sacramento

E. M. Kemp Co.
1115 R Street
Sacramento Elec. Supply Co.
711 Capitol Ave.

Santa Ana

Radio & Television Equipment Co.
207 Oak St.

Santa Barbara

Channel Radio Supply Co.
434 State St.

San Bernardino

Electronic Equipment Distributors
973 West Baseline
Inland Electronic Supply
863 Colton Ave.

San Diego

Coast Electric Co.
744 G Street
Electronic Equipment Distributors
1228-2nd Ave.
Western Radio & Television
Supply Co.
1415 India St.

San Francisco

Associated Radio Distributors
1251 Folsom St.
Graybar Electric Co.
9th & Howard Sts.
Leo J. Meyberg Co.
70 - 10th St.
Zack Radio Supply Co.
1426 Market St.
San Francisco Radio Supply Co.
1284 Market St.

San Jose

Frank Quement, Inc.
161 W. San Fernando St.

Stockton

B. J. DeJarnatt Wholesale
Radio Co.
515 N. Hunter St.

COLORADO

Colorado Springs
Murray Radio Co.
502 W. Colorado Ave.

Denver

Inter-State Radio & Supply Co.
1639 Tremont Place
Radio Products Sales Co.
1237 - 16th St.
Stafford Electronics
1423 Curtis St.

Pueblo

L. B. Walker Radio Co.
218 W. 8th St.

CONNECTICUT

Bridgeport
Hatry & Young, Inc.
544 East Main St.
R. G. Sceli Co.
84 Elm St.

Hartford

Hatry & Young, Inc.
203 Ann St.
R. G. Sceli Co.
317 Asylum St.

New Britain

United Radio Supply Co.
47-53 East Main St.

New Haven

Thomas H. Brown Co.
106 State St.
Congress Radio Co.
207 Congress Ave.
Hatry & Young, Inc.
77 Broadway

New London

Hatry & Young of
New London Inc.
428 Bank Street

Stamford

Hatry & Young Inc.
525 Main St.
Stamford, Conn.

Waterbury

The Bond Radio Supply
18 Willow St.
Hatry & Young, Inc.
89 Cherry St.

DELAWARE

Wilmington
Radio Electric Service Co.
4th & Tatnall Sts.
Wilmington Electrical
Specialty Co., Inc.
405 Delaware Ave.

FLORIDA

Jacksonville
Graybar Electric Co.
12th & Main Sts.
Kinkade Radio Supply
1402 Laura St.
Thurow Distributors, Inc.
15 - 17 E. Church St.

Miami
Electronic Supply Co.
61 N. E. 9th St.
Thurow Distributors, Inc.
420 South West 8th St.
Walder Radio & Appliance Co.
1809 N. E. 2nd Ave.
Box 2240

Orlando
Graybar Electric Co., Inc.
533 West Central Ave.
Hammond-Morgan, Inc.
PO Box 3162
9 South Terry St.
Radio Accessories Co.
65 - 69 East Church St.
Thurow Distributors, Inc.
131 S. Court St.

Pensacola

Gulf Electric Supply
115 E. Gregory St.
Thurow Distributors, Inc.

St. Petersburg

Cooper Radio Co.
648 Second Ave., So.
Welch Radio Supply
408 - 9th St. S.

Tallahassee

Thurow Distributors, Inc.
213 East Tennessee Ave.

Tampa

Thurow Distributors, Inc.
134 - 136 S. Tampa St.

West Palm Beach

Thurow Distributors, Inc.
308 S. Olive St.

GEORGIA

Atlanta
Concord Radio Corp.
265 Peachtree St.
Graybar Electric Co.
167 Walton St. N. W.
Southeastern Radio Parts Co.
442 W. Peachtree St. N. W.
Specialty Distributing Co., Inc.
425 Peachtree St. N. E.

Columbus
Radio Sales & Service Co.
1326 First Ave.

Macon
Specialty Distributing Co.
559 Mulberry St.

Savannah
Southeastern Radio Parts Co.
38 Montgomery St.
Specialty Distributing Co.
223 E. Broughton St.

HONOLULU, T. H.

Radio Wholesale & Supply Co.
817 Alakea St.
P. O. Box 3768

IDAHO

Boise
Craddock's Radio Supply
1522 State St.

ILLINOIS

Chicago
Allied Radio Corporation
833 W. Jackson Blvd.
Chicago Radio Apparatus
Co., Inc.
415 So. Dearborn St.
Concord Radio Corp.
227 West Madison St.
Concord Radio Corp.
901 W. Jackson Blvd.
Graybar Electric Co.
500 S. Clinton St.
Green Mill Radio Supply
145 West 111th St.
Lukko Sales Corp.
5024 Irving Park Rd.
Montgomery-Ward & Co.
619 W. Chicago Ave.
Newark Electric Co.
323 West Madison St.
Radio Television Supply Co.
435 N. LaSalle St.
Sears-Roebuck & Co.
Homan & Arthington
Walker Jimieson
311 So. Western Ave.

DuQuoin
Meyers Radio Service

Kankakee
Radio Doctors Supply House
220 East Station St.

Moline
Lofgren Distributing Co.
1202 - 4th Ave.

Peoria
Klaus Radio & Electric Co.
707 Main St.

Quincy
Cooper Supply Co.
935 Main St.

Rockford
Art A. Johnson Sales & Service
1117 Charles St.

Mid-West Associated Distributors
506 Walnut St.

Rock Island
Tri-City Radio Supply
1919 Fourth Ave.

Springfield
Harold Bruce
303 East Monroe St.
Wilson Supply Co.
108 W. Jefferson St.

INDIANA

Anderson
Seyberts Radio Supply
19 East 12th St.

Angola
Lakeland Radio Supply
525 South West St.

Evansville
Wesco Radio Parts
7th & Pennsylvania Sts.

Fort Wayne
Pembleton Laboratories
236 East Columbia @ Barr St.
Protective Electric Supply
130 W. Columbia St.
Warren Radio Company
720 S. Clinton St.

Gary
Cosmopolitan Radio
524 Washington St.

Hammond
Stanton Radio Supply
521 State St.

Indianapolis
Radio Distributing Co.
1013 N. Capitol Ave.
Van Sickle Radio Supply Co.
34 West Ohio St.

Kokomo
George's Radio & Appliances
125 N. Buckeye St.

Muncie
Standard Radio Parts Co., Inc.
718 South Walnut St.

Peru
Clingaman Radio
814 W. Main St.

Richmond
Fox Sound Equipment Co.
126 S. 6th St.

South Bend
Radio Distributing Co.
Monroe & Carroll Sts.

Terre Haute
Archer & Evinger
1348 Wabash Ave.
Terre Haute Radio
501 Ohio St.

IOWA

Cedar Rapids
Gifford Brown Inc.
106-108 First St., S. W.

Council Bluffs
World Radio Laboratories, Inc.
744 West Broadway

Des Moines
Gifford Brown, Inc.
1216 Grand Ave.
Radio Trade Supply Co.
1224 Grand Ave.

Fort Dodge
Gifford Brown, Inc.
1030 Central Ave.

Ottumwa
Radio Trade Supply Co.
115 W. 2nd St.

Sioux City
Dukes Radio Co.
209 - 11 Sixth St.

Power City Radio Co.
513 Seventh St.

Waterloo
Farnsworth Radio & Television
623 Jefferson St.

Gifford-Brown, Inc.
219 West 6th St.

Ray-Mac Radio Supply
324 West 4th St.

Radio Trade Supply Co.
110 W. 5th St.

KANSAS

Pittsburg
Pittsburg Radio Supply
103 North Broadway

Topeka
Acme Radio Supply
634 Quincy St.

Utility Supply Co.
125 Kansas Ave.

Wichita
Amateur Radio Equip. Co., Inc.
1215 East Douglas

Interstate Distributors, Inc.
1236 East Douglas

Radio Supply Co.
1125 - 27 E. Douglas

KENTUCKY

Lexington
Electronic Distributors
134 West 3rd St.
PO Box 55

Kentucky Radio Supply
519 Georgetown St.

Radio Equipment Co.
377 East Main St.

Louisville
P. I. Burks & Co., Inc.
911 West Broadway

Universal Radio Supply Co.
715 South Seventh St.

LOUISIANA

Alexandria
Central Radio Supply Co.
113 De Soto St.
PO Box 1688

Lake Providence
F. H. Schneider & Sons, Inc.

Monroe
Hale & McNeil

New Orleans
Radio Parts, Inc.
807 Howard Ave.
Shuler Supply Co.
415 Dryades St.
Southern Radio Supply Co.
407 S. Roman St.

Shreveport
Inter-state Electric Co. of
Shreveport, Inc.
Koelemay Sales Co.
327 Market St.

MAINE

Bangor
Radio Service Laboratory
45 Haymarket Square

Portland
Maine Electronic Supply Corp.
13 Deer St.

Radio Service Laboratory
45 A Free St.

MARYLAND

Baltimore
Henry O. Berman Co.
12 E. Lombard St.

Kann-Ellert Electronics Inc.
9 South Howard St.

Radio Electric Service Co.
3 North Howard St.

Wholesale Radio Parts Co., Inc.
311 West Baltimore St.

Hagerstown
Zimmerman Wholesalers
114 E. Washington St.

MASSACHUSETTS

Boston
DeMambro Radio Supply Co.
1111 Commonwealth Ave.
Dormitzer Electric & Mfg. Corp.
782 Commonwealth Ave.

Graybar Electric Co., Inc.
287 Columbus Ave.

Hatry & Young, Inc.
42 - 44 Cornhill

A. W. Mayer Co.
895 Boylston St.

Radio Shack Corp.
167 Washington St.

Radio Wire Television, Inc.
110 Federal St.

Brockton

Ware Radio Supply Co.
913 Center St.

Cambridge

The Eastern Co.
620 Memorial Drive

Holyoke

Springfield Radio Co.
93 High St.

Lawrence

Hatry & Young, Inc.
639 Essex St.

New Bedford

C. E. Beckman Co.
11 Commercial St.

Pittsfield

Pittsfield Radio Co.
44 West St.

Springfield

T. F. Cushing
349 Worthington St.

Springfield Radio Co.
405 Dwight St.

Worcester

Eastern Company
326 Chandler St.

Radio Electronics Sales Co.
46 Chandler St.

Radio Maintenance Supply Co.
19-25 Central St.

MICHIGAN

Ann Arbor
Wedemeyer Electronic Supply Co.
213 N. Fourth Ave.

Bay City
Kinde Distributing Co.
504 Washington Ave.

Butte Creek

Wedemeyer Electronic Supply Co.

Detroit

M. N. Duffy & Co.
2040 Grand River Ave.

Graybar Electric Co.
55 W. Canfield Ave.

Radio Electronic Supply Co.
1112 Warren Ave. West

Radio Specialties Co.
456 Charlotte Ave.

Radio Supply & Engineering
Co., Inc.
129 Selden

Flint

Shand Radio Specialties
203 W. Kearsley St.

Grand Rapids

Radio Electronic Supply Co.
443 S. Division

Wholesale Radio Co.
317 Division Ave., S.

Jackson

Fulton Radio Supply Co.
265 W. Cortland St.

Kalamazoo

Ralph M. Ralston Co.
201 N. Park St.

Lansing

Wedemeyer Electronic Supply Co.
205 North Cedar St.

Larum

Northwest Radio

Muskegon

Industrial Electric Supply Co.
1839 Peck St.

Pontiac

Electronic Supply Co.
248 E. Pike St.

MINNESOTA

Duluth

Low Bonn Company
228 E. Superior St.

Northwest Radio
109 E. First St.

Minneapolis

Low Bonn Company
1211 La Salle Ave.

Graybar Electric Co.
824 S. 4th St.

Northwest Radio & Electronic
Supply
204 South 10th St.

Stark Radio Supply Co.
71 S. Twelfth St.

St. Paul

Low Bonn Co.
141 - 147 West Seventh St.

Hall Electric
386 Minnesota St.

MISSISSIPPI

Greenville

The Goyer Supply Co.
Radio Parts Dept.
Greenville

Jackson

Ellington Radio, Inc.
816 South Gallatin St.

Graybar Electric Co.
758 Ricks St.

MISSOURI

Butler

Henry Radio
211 North Main

Joplin

4-State Radio & Supply Company
201 Main St.

Kansas City

Burstein-Applebee Co.
1021 - 14 McGee St.

Graybar Electric Co., Inc.
1644 Baltimore Ave.

Radiolab
1612 Grand Ave.

Poplar Bluff

Tri-State Radio & Supply
136 Bartlett St.

Springfield

Harry Reed Radio & Supply Co.
833 - 37 Boonville Ave.

St. Joseph

St. Joseph Radio & Supply Co.
922 Frances St.

St. Louis

Graybar Electric Co., Inc.
 2642 Washington Ave.
 Walter Ashe Radio Co.
 1125 Pine St.
 Van Sickle Radio Co.
 1113 Pine St.

MONTANA

Billings

Electronic Supply Co.
 714 Eleventh St., West

NEBRASKA

Lincoln

Leuck Radio Supply
 243 So. 11th St.

Omaha

J. B. Distributing Co.
 2855 - 57 Farnam St.
 Radio Equipment Co.
 2820 - 22 Farnam St.

NEVADA

Reno

Mariner Music House
 124 North Virginia St.

NEW HAMPSHIRE

Concord

Evans Radio
 8 No. Main St.

Manchester

Radio Service Laboratory
 1191 Elm St.

NEW JERSEY

Atlantic City

Kearns, Inc.
 Harrisburg & Atlantic Aves.

Camden

Radio Electric Service Co.
 513 Cooper St.

Clifton

Eastern Radio Corp.
 637 Main Ave.

Jersey City

Nidisco
 713 Newark Ave.

Newark

Continental Sales Co.
 195 - 197 Central Ave.

Aaron Lippman & Co.
 246 Central Ave.

Radio Wire-Television, Inc.
 24 Central Ave.

Phillipsburg

Carl B. Williams
 154 S. Main St.

Trenton

Allen and Hurley
 25 South Warren St.

NEW MEXICO

Albuquerque

Radio Equipment Co.
 523 East Central Ave.

Southwest Radio Supply
 324 N. Fourth St.

Roswell

Falconi Electrical Service
 125 West 2nd St.

NEW YORK

Albany

Fort Orange Distributing Co., Inc.
 642 - 44 Broadway

E. E. Taylor Co.
 465 Central Ave.

Amsterdam

Adirondack Radio Supply
 32 Guy Park Ave.

Binghamton

Federal Radio Supply Co.
 188 State St.

Buffalo

Dymac, Inc.
 2329 Main St.

Radio Equipment Corp.
 147 - 151 Genesee St.

Cortland

C. A. Winchell
 37 Central Ave.

Elmira

John M. Mulligan
 819 Clairmont Ave.

Ithaca

Stallman of Ithaca
 210 - 12 N. Tioga St.
 P. O. Box 306

Long Island

Harrison Radio Corp.
 172 - 31 Hillside Ave.
 Jamaica 3

Norman Radio Distributors, Inc.
 94 - 29 Merrick Rd.
 Jamaica

Peerless Radio Distributors, Inc.
 92 - 32 Merrick Rd.
 Jamaica

Mt. Vernon

Davis Radio Distributing Co.
 66 E. 3rd St.

New York City

Arrow Electronics Co.
 82 Cortlandt St.

H. L. Dalis, Inc.
 17 Union Square

Electronic Marketers, Inc.
 190 Varick St.

Federated Purchaser
 80 Park Place

Fordham Radio Supply Co.
 2269 - 71 Jerome Ave.

Graybar Electric Co., Inc.
 420 Lexington Ave.

Graybar Electric Co., Inc.
 180 Varick St.

Harrison Radio Corp.
 12 W. Broadway

Harvey Radio Co., Inc.
 103 W. 43rd

Heins & Bolet, Inc.
 68 Cortlandt St.

Milo Radio & Electronics Corp.
 200 Greenwich St.

New Yorker Electronics Co.
 40 East 21st St.

Newark Electric Co., Inc.
 212 Fulton St.

Newark Electric Co., Inc.
 242 - 50 West 55th St.

Newark Electric Co., Inc.
 115 W. 45th St.

Niagara Radio Supply Corp.
 160 Greenwich St.

Radio-Wire Television, Inc.
 100 Sixth Ave.

Sanford Electronics Corp.
 136 Liberty St.

Sun Radio & Electronics Co., Inc.
 122 - 24 Duane St.

Technical Equipment Co.
 135 Liberty St.

Terminal Radio Corp.
 85 Cortlandt St.

Rochester

Beaucaire, Inc.
 114 Monroe Ave.

Hunter Electronics
 233 East Ave.

Masline Radio & Electronic
 Equip. Co.
 192 - 96 Clinton Ave. N.

Rochester Radio Supply Co.
 114 St. Paul St.

Radio Parts & Equipment Co.
 244 Clinton Ave. N.

Niagara Falls

Niagara Radio & Parts Co.
 1518 Main St.

Schenectady

M. Schwartz & Son
 710 Broadway

Syracuse

W. E. Berndt
 655 S. Warren St.

Broome Distributing Co.
 912 Erie Blvd. E.

Syracuse Radio Supply
 238 W. Willow St.

Utica

Beacon Radio Distributing
 703 Varick St.

Beacon Electronics, Inc.
 218-220 Pearl St.

Electronic Laboratories & Supply
 Co.
 512 Columbia St.

Vaeth Elec. Co.
 35 Genesee St.

Watertown

Beacon Electronics, Inc.
 108 Lincoln Bldg.

White Plains

Westchester Electronic Supply Co.
 333 Mamaroneck Ave.

NORTH CAROLINA

Asheville

Freck Radio & Supply Co.
 38 Biltmore Ave.

Charlotte

Dixie Radio Supply Co.
 912 S. Tryon St.

Shaw Distributing Co.
 205 W. First St.

Greensboro

Dixie Radio Supply Co., Inc.
 416 W. Market St.
 PO Box 2730

Johannesen Electric Co.
 312 - 14 N. Eugene St.

Raleigh

Carolina Radio Equipment Co.
 105 East Martin St.

Southeastern Radio Supply Co.
 411 Hillsboro St.

Wilmington

French Radio Co.
 1304 Market St.

Winston-Salem

Dalton-Hege Radio Supply Co.
 340 Brookstown Ave.

NORTH DAKOTA

Fargo

Fargo Radio Service Co.
 515 Third Ave. N.

OKLAHOMA

Enid

Radio-Electronics, Inc.
 1032 E. Broadway

Oklahoma City

Graybar Electric Co.
 706 West Main St.

Radio Supply, Inc.
 724 N. Hudson
 Box 1972

Tulsa

Radio, Inc.
 1000 S. Main St.

S & S Radio Supply Co.
 721 S. Detroit St.

OHIO

Akron

Brighton Sporting Goods Corp.
 110 East Market St.

Ashtabula

Morrison's Radio Supply
 331 Center St.

Canton

Armstrong Radio Supply
 226 - 28 Second St. S. E.

Burroughs Radio Co.
 620 Tuscarawas St. W.

Cincinnati

Graybar Electric Co.
 310 Elm St.

Herrlinger Distributing Co.
 15th & Vine Sts.

Steinberg's Inc.
 633 Walnut St.

The Mytronic Co.
 121 West Central Parkway

United Radio, Inc.
 1314 Vine St.

Cleveland

Graybar Electric Co., Inc.
 1010 Rockwell Ave.

Northern Ohio Labs.
 2073 W. 85th St.

Pioneer Radio Supply Corp.
 2115 Prospect Ave.

The Progress Radio Supply Co.
 415 Huron Rd.

Radio & Electronics Part Corp.
 519 Huron Rd.

Winteradio, Inc.
 1468 W. 25th St.

Columbus

Hughes-Peters, Inc.
 111 - 117 East Long St.

Thompson Radio Supplies
 218 E. Gay St.

Dayton

Hughes-Peters, Inc.
 300 W. 5th at Perry

Standard Radio & Electronic
 Products Co.
 135 E. Second St.

East Liverpool

D & R Radio Supply
 631 Dresden Ave.

Mansfield

Burroughs Radio Co.
 43 So. Diamond St.

Springfield

Eberlie's Radio Supply
 522 West Main St.

Steubenville

D & R Radio Supply
 156 S. 3rd St.

Toledo

The H & W Auto Accessories Co.
 713 Adams St.

G. L. Snow Electronic Service
 922 Monroe St.

Youngstown

Ross Radio Company
 325 W. Federal St.

OREGON

Eugene

United Radio Supply, Inc.
 179 W. 8th St.

Medford

Verl G. Walker Co.
 205 West Jackson

Portland

Bargelt Supply Co.
 1131 SW Washington

Harper Megee Co.
 1506 N W Irving St.

Northwest Radio Supply Co.
717 S W Ankeny St.

Stubbs Electric Co.
33 N W Park Ave.

United Radio Supply, Inc.
22 N. W. Ninth Ave.

PENNSYLVANIA

Allentown

Radio Electric Service Co.
1042 Hamilton St.

Easton

Radio Electric Service Co.
9 N. 2nd St.

Erie

J. V. Duncombe Co.
1011 W. 8th St.

Jordon Electronic Co.
201 W. 4th St.

Harrisburg

Radio Distributing Co.
140 S. Second St.

Lancaster

George D. Barbey Co.
29 E. Vine St.

Philadelphia

Almo Radio Co.
509 Arch St.

Consolidated Radio Co.
612 Arch St.

Electric Warehouse
1320 W. Erie Ave.

Graybar Electric Co., Inc.
910 Cherry St.

Herbach & Rademan Co.
522 Market St.

M & H Sporting Goods Co.
512 Market St.

Radio Electric Service Co.
5133 Market St.

Radio Electric Service Co.
3145 N. Broad St.

Radio Electric Service Co.
N. W. Corner 7th & Arch Sts.

Eugene G. Wile
10 S. 10th St.

Pittsburgh

Cameradio
963 Liberty Ave.

Graybar Electric Co., Inc.
37 Water St.

M. V. Mansfield Co.
937 Liberty Ave.

Tydings Company
632 Grand St.

Reading

George D. Barbey Co.
2nd & Penn Sts.

Scranton

Fred P. Purcell
548 - 550 Wyoming Ave.

Scranton Radio & Television
Supply Co.
519 Mulberry St.

RHODE ISLAND

Providence

DeMambo Radio Supply Co.
90 Broadway

Eastern Company
130 Broadway

W. H. Edwards Co.
94 Broadway

SOUTH CAROLINA

Columbia

Dixie Radio Supply Co., Inc.
1715 Main St.

Charleston

Radio Laboratories
215 King St.

Greenville

Dixie Radio Supply Co.
22 S. Richardson St.

Gilliam Radio Co.
117 W. Coffee St.

SOUTH DAKOTA

Sioux Falls

Power City Radio Co.
209 So. First Ave.

TENNESSEE

Chattanooga

Specialty Distributing Co.
709 Chestnut St.

Jackson

L. K. Rush Company
Box 1418

Knoxville

Chemcity Radio & Electric Co.
12 Emory Park
PO Box 3131

Roden Electrical Supply Co.
808 N. Central Ave.

Memphis

Bluff City Distributing Co.
905 Union Ave.

Nashville

Braid Electric Co.
109 Eleventh Ave. So.

Electra Distributing Co.
1914 West End Ave.

TEXAS

Abilene

R. & R. Electronic Co.
1074 N. 1st St.

Amarillo

R. & R. Electronic Co.
412 W. 10th St.

Austin

The Hargis Co.
706 - W. 6th St.

Beaumont

Montague Radio Distributing Co.
220 Willow St.
PO Box 3045

Corpus Christi

Electronic Equipment &
Engineering Co.
1310 So. Staples St.

Modern Radio Supply
308 South Staples St.

Wicks-DeVilbiss Co.
516 - 18 South Staples St.

Dallas

Crabtree's Wholesale Radios
2608 Ross Ave.

Globe Radio, Inc.
2922 Elm St.

Graybar Electric Co., Inc.
400 So. Austin St.

R. C. & L. F. Hall
2123 Cedar Springs Ave.

Wilkinson Bros.
PO Box 1169

Southwest Radio Supply
1820 N. Harwood St.

Denison

Denison Radio Supply
124 West Main St.

El Paso

Reeves-Elliott Co.
720 N. Stanton St.

Fort Worth

Electronic Equipment Co.
301 E. 5th St.

Ft. Worth Radio Supply Co.
1201 Commerce St.

Galveston

R. C. & L. F. Hall
1803 Tremont St.

Hartington

Modern Radio Supply
111 West Van Buren St.

Houston

R. C. & L. F. Hall
1306 Clay Ave.
PO Box 2434

Harrison Equipment Co.
1422 San Jacinto St.

Houston Radio Supply Co., Inc.
Clay at LaBranch

Straus-Frank Company
4000 Leeland Ave.

Lubbock

R & R Supply Co., Inc.
706 Main St.

San Antonio

Amateur Radio Supply Co.
746 E. Myrtle St.

Straus-Frank Company
301 S. Flores St.

Tyler

Lavender Radio Supply Co.
110 Swann St.

Waco

The Hargis Co., Inc.
1305 Austin St.

Wichita Falls

Clark & Gose Radio Supply
1204 Ohio St.

UTAH

Salt Lake City

Graybar Electric Co., Inc.
245 South 1st West St.

O'Laughlin's Radio Supply Co.
113 East Third South

Radio Supply Co.
45 East Fourth South

Standard Supply Co.
531 So. State St.

VIRGINIA

Ashland

Radio Service Co.

Lynchburg

Eastern Electric Co.
315 Twelfth St.

Norfolk

Radio Equipment Co.
821 West 21st St.

Radio Parts Distributing Co.
128 W. Olney Rd.

Radio Supply Co.
711 Granby St.

Richmond

The Arnold Company
2349 W. Broad St.

Graybar Electric Co., Inc.
6th & Cary Sts.

Mattson's Radio
519 W. Broad

Radio Supply Co.
3302 W. Broad St.

Roanoke

H. C. Baker Sales Co., Inc.
19 Franklin Rd.

Leonard Electronic Supply Co.
106 Second St. S. W.

WEST VIRGINIA

Charleston

Chemcity Radio & Electric Co.
1225 E. Washington St.

Sigman's
708 Bigley Ave.

Huntington

Electronic Supply, Inc.
422 Eleventh St.

Wheeling

General Distributors
Hotel Wheeling Bldg.

WASHINGTON

Bellingham

Waifkus Supply Co.
110 Grand Ave.

Everett

Pringle Radio Wholesale Co.
2514 Colby Ave.

Seattle

Alaska Radio Supply, Inc.
14613 - 11th S. W.

Graybar Electric Co.
King & Occidental Sts.

Harper-Meggee, Inc.
960 Republican St.

Radio Products Sales Co.
1214 - 1st Ave.

Seattle Radio Supply, Inc.
2117 - 2nd Ave.

Western Electronic-Supply Co.
2609 First Ave.

Spokane

Columbia Electric & Mfg. Co.
So. 123 Wall St.

Harper-Meggee Co.
N. 734 Division

Northwest Electronics Co.
North - 102 Monroe St.

Tacoma

C & G Radio Supply Co.
714 St. Helens Ave.

Walla Walla

Kar Radio & Electric Co.
PO Box 676
12th & Pine Sts.

Yakima

Lay & Nord
112 South Second St.

WASHINGTON D. C.

Capitol Radio Wholesalers
2120 - 14th St. N. W.

General Electric Supply Corp.
1330 New York Ave. N. W.

Graybar Electric Co.
1329 E. Street N. W.

Kenyon Radio Supply Company
2214 - 14th Street, N. W.

Rucker Radio Wholesalers
1312 - 14th St. N. W.

WISCONSIN

Appleton

Appleton Radio Supply Co.
1217 N. Richmond St.

Valley Radio Distributors
518 N. Appleton St.

Beaver Dam

Kamrath Radio Service
306 South Spring St.

Madison

Satterfield Radio Supply
326 W. Gorham St.

Milwaukee

Central Radio Parts Co.
1723 W. Fond du Lac Ave.

Electro-Pliance Distributors, Inc.
2458 W. Lisbon Ave.
Milwaukee 5

Radio Parts Co., Inc.
536 - 38 West State St.

Wausau

Radio Service & Supply Co.
615 - 3rd St.

TUBE REPLACEMENT CHART

Tubes in the column marked "TYPE REPLACED" should be replaced with "EIMAC TUBE TYPE" shown in first column. Replacement with the EIMAC TUBE TYPE will require no reductions in voltages or power input or changes in mechanical connections.

Tubes under the heading "NEAR EQUIVALENT" can be replaced with EIMAC tubes provided changes are made in the electrical values or mechanical connections. Where an "X" appears in the "REQUIRED CHANGES" column some change is indicated.

TRIODES

Eimac Tube Type	Type Replaced	NEAR EQUIVALENT					
		Type	REQUIRED CHANGES				
			FIL. V	BIAS	SOCKET	PLATE CONNECTOR	GRID CONNECTOR
2C39	3X100A11 GL2C39 ZP572						
3C24	25TG 3-25D3 VT204 24G DR24G PE130A	3C28 TUF20 PE130B		X	X	X	X X X
3C37	3X150A3						
3X2500A3		7C24 7C25 WL473	X X X		X X X	X X X	X X X
25T	3-25A3 3C34 24 PE130C	HY30Z NU30Z 809 GL809 NU809 WL809 1623 GL1623 NU1623		X X X X X X		X X X X X X X X X	
35T	3-50A4 PE35T	HY40 T40 NU40T HY40Z TZ40 NU40TZ T55 811 DR811 GL811 NU811 WL811 812 812H DR812 GL812 NU812 WL812	X X X X X X X X X X X X X	X X X		X X X X X X X X X X X	
35TG	3-50D4	4C25 54 356A 808 DR808		X X X X	X	X X X X	X X X X
UH50	3-50G2 BW11 304B 834						



TUBE REPLACEMENT CHART TRIODES (Continued)

Eimac Tube Type	Type Replaced	NEAR EQUIVALENT					
		Type	REQUIRED CHANGES				
			FIL. V	BIAS	SOCKET	PLATE CONNECTOR	GRID CONNECTOR
450TL	3-450A2 300T 854L						
750TL	3-750A2 1054L						
1000T	3-1000A4 1000UHF						
1500T	3-1500A3						
2000T	3-2000A3	HF3000 ZB3200	X X	X	X X	X X	X X

TETRODES

Eimac Tube Type	Type Replaced	NEAR EQUIVALENT						
		Type	REQUIRED CHANGES					
			FIL. V	BIAS	SOCKET	PLATE CONNECTOR	GRID CONNECTOR	
4-125A	4D21 4D23 AT340 PE340	4E27		X	X	X		
		RK65			X	X		
		257		X	X	X		
		257B		X	X	X		
		AT257C		X	X	X		
		PE257C		X	X	X		
		813	X	X	X	X		
		GL813	X	X	X	X		
		ML813	X	X	X	X		
		NU813	X	X	X	X		
		WL813	X	X	X	X		
		8001			X	X	X	
		4-250A	5D22 5D24	363A	X		X	X
GL592	X			X	X	X	X	
4X500A		RK6D22	X	X	X	X	X	

RECTIFIERS

Eimac Tube Type	Type Replaced
2-150A 2-150D RX21A KY21A 100R	2-100A GL451 WL578 8020 DR8020 GL8020
250R	2-250A TR40M 371B DR371B NU371B
866A	866 UE966 UE966A
872A	872 UE972

VACUUM CAPACITORS

EIMAC VAC CAP	TYPE REPLACED	NEAR EQUIVALENT		
		TYPE NO.	REQUIRED CHANGES	
			CONNECTORS	SPACING
VC6-20	VC6			
VC12-20	VC12	GL1L21	X	X
		GL1L25	X	X
VC25-20	VC25	GL1L22	X	X
		GL1L36	X	X
VC50-20	VC50	GL1L23	X	X
		GL1L38	X	X
VC250				
VC1000				
VC6-32	VC6			
VC12-32	VC12			
VC25-32	VC25			
VC50-32	VC50			



TUBE REPLACEMENT CHART—CROSS INDEX

FOR TYPE NO.	USE EIMAC	FOR TYPE NO.	USE EIMAC	FOR TYPE NO.	USE EIMAC	FOR TYPE NO.	USE EIMAC
GL1L21	VC12-20	KU23	250TL	VT220	250TH	809	25T
GL1L22	VC25-20	24	25T	254	100TH	GL809	25T
GL1L23	VC50-20	24G	3C24	VT254	304TH	NU809	25T
GL1L25	VC12-20	DR24G	3C24	257	4-125A	WL809	25T
GL1L36	VC25-20	25TG	3C24	257B	4-125A	810	100TH
GL1L38	VC50-20	HY30Z	25T	PE257B	4-125A	GL810	100TH
2-100A	100R	NU30Z	25T	AT257C	4-125A	WL810	100TH
2-250A	250R	PE35T	35T	PE257C	4-125A	811	35T
GL2C39	2C39	RK36	100TL	DR300	250TL	DR811	35T
3-25A3	25T	RK38	100TH	EE300	250TL	GL811	35T
3-25D3	3C24	HY40	35T	HF300	250TL	NU811	35T
3-50A4	35T	HY40Z	35T	NU300	250TL	WL811	35T
3-50D4	35TG	NU40T	35T	300T	450TL	812	35T
3-50G2	UH50	NU40TZ	35T	304B	UH50	812H	35T
3-75A2	75TL	T40	35T	304H	304TH	DR812	35T
3-75A3	75TH	TR40M	250R	304L	304TL	GL812	35T
3-100A2	100TL	TZ40	35T	304T	304TL	NU812	35T
3-100A3	100TH	50T	100TL	AT340	4-125A	WL812	35T
3-150A2	152TL	HY51A	75TH	PE340	4-125A	813	4-125A
3-150A3	152TH	HY51B	75TH	354C	250TL	GL813	4-125A
3-250A3	250TL	HY51Z	75TH	354D	250TL	ML813	4-125A
3-250A4	250TH	NU51A	75TH	354E	250TH	NU813	4-125A
3-300A2	304TL	54	35TG	354F	250TH	WL813	4-125A
3-300A3	304TH	T55	35T	356A	35TG	822S	250TH
3-450A2	450TL	RK63	250TH	357A	450TH	833	450TH
3-450A4	450TH	RK65	4-125A	363A	4-250A	833A	450TH
3-750A2	750TL	75T	75TL	371B	250R	DR833A	450TH
3-1000A4	1000T	TW75	75TH	DR371B	250R	GL833	450TH
3-1500A3	1500T	DR100TH	100TH	NU371B	250R	ML833A	450TH
3-2000A3	2000T	HF100	100TH	F450	450TH	WL833A	450TH
3C28	3C24	VT108	450TH	WL450	450TH	834	UH50
3C34	25T	TI25	100TH	GL451	100R	854H	450TH
3X100A11	2C39	VT129	304TL	454H	250TH	854L	450TH
3X150A3	3C37	PE130A	3C24	454L	250TL	1000UHF	1000T
4C22	100TH	PE130B	3C24	WL460	250TL	1054L	750TL
4C25	35TG	PE130C	25T	WL463	250TH	1623	25T
4C32	250TH	VT130	250TL	WL473	3X2500A3	GL1623	25T
4C34	250TL	150T	250TL	WL525	304TL	NU1623	25T
4D21	4-125A	TW150	250TH	PE530	250TH	HF3000	2000T
4D23	4-125A	152H	152TH	WL535	304TH	8000	100TL
4E27	4-125A	152L	152TL	ZP572	2C39	8001	4-125A
5D22	4-250A	152T	152TL	WL578	100R	8005	75TH
5D24	4-250A	DR200	250TL	GL592	4-250A	8020	100R
RK6D22	4X500A	EE200	250TL	GL592	250TH	DR8020	100R
7C24	3X2500A3	HF200	250TL	806	250TL	GL8020	100R
7C25	3X2500A3	NU200	250TL	GL806	250TL		
BW11	UH50	T200	250TL	WL806	250TL		
HV18	250TL	VT204	3C24	808	35TG		
TUF20	3C24	VT218	100TH	DR808	35TG		

Class C Amplifier Calculations With The Aid of Constant-Current Characteristics

In calculating and predicting the operation of a vacuum tube as a class-C radio frequency amplifier, the considerations which determine the operating conditions are plate efficiency, power output required, maximum allowable grid and plate dissipation, maximum allowable plate voltage and maximum allowable plate current. The values chosen for these factors will depend both on the demands of a particular application and the tube selected to do the job.

The plate and grid currents of a class-C amplifier are periodic pulses, the durations of which are always less than 180 degrees. For this reason the average plate and grid currents, power output, driving power, etc., cannot be directly calculated but must be determined by a Fourier analysis from points selected along the line of operation as plotted on the constant-current characteristics. This may be done either analytically, or graphically. While the Fourier analysis has the advantage of accuracy, it also has the disadvantage of being tedious and involved.

An approximate analysis which has proven to be sufficiently accurate for most purposes is presented in the following material. This system has the advantage of giving the desired information at the first trial. The system, which is an adaption of a method developed by Wagener¹, is direct because the important factors, power output, plate efficiency and plate voltage may be arbitrarily selected at the beginning.

In the material which follows, the following set of symbols will be used. These symbols are illustrated graphically in Figure 1.

Symbols

- P_i = Plate power input
- P_o = Plate power output
- P_p = Plate dissipation
- n = Plate efficiency expressed as a decimal
- E_{bb} = D-c plate supply voltage
- $E_{p,m}$ = Peak fundamental plate voltage
- $e_{b,m,i,n}$ = Minimum instantaneous plate voltage
- I_b = Average plate current
- $I_{p,m}$ = Peak fundamental plate current
- $i_{b,max}$ = Maximum instantaneous plate current
- θ_p = One-half angle of plate current flow
- E_{cc} = D-c grid bias voltage (a negative quantity)

- E_{gm} = Peak fundamental grid excitation voltage
- $e_{c,mp}$ = Maximum positive instantaneous grid voltage
- I_c = Average grid current
- $i_{c,max}$ = Maximum instantaneous grid current
- P_d = Grid driving power (including both grid and bias losses)
- P_g = Grid dissipation
- μ = Amplification factor

Method

The first step in the use of the system to be described is to determine the power which must be delivered by the class-C amplifier. In making this determination it is well to remember that ordinarily from 5 to 10 per cent of the power delivered by the amplifier tube or tubes will be lost in well-designed tank and coupling circuits at frequencies below 20 Mc. Above 20 Mc. the tank and coupling circuit losses are ordinarily somewhat above 10 per cent.

The plate power input necessary to produce the required output is determined by the plate efficiency:

$$P_i = \frac{P_o}{n}$$

For most applications it is desirable to operate at the highest possible efficiency. High-efficiency operation usually requires less expensive tubes and power supplies, and the amount of artificial cooling needed is frequently less than for low-efficiency operation. On the other hand, high-efficiency operation often requires more driving power and higher operating plate voltages. Eimac triodes will operate satisfactorily at 80 per cent efficiency at the highest recommended plate voltages and at 75 per cent efficiency at medium plate voltages.

The first determining factor in selecting a tube or tubes for any particular application is the maximum allowable plate dissipation. The total plate dissipation rating for the number of tubes used must be equal to or greater than that calculated from

$$P_p = P_i - P_o$$

After selecting a tube or tubes to meet the power output and plate dissipation requirements it becomes necessary to determine from the tube characteristics whether the tube selected is capable of the required operation and, if so, to determine the driving power, grid bias and grid current.

¹ W. G. Wagener "Simplified Methods for Computing Performance of Transmitting Tubes," Proc. I.R.E., Vol. 25, p. 47, (Jan. 1937).

The complete procedure necessary to determine the class-C-amplifier operating conditions is as follows²:

1. Select plate voltage, power output and efficiency.
2. Determine plate input from

$$P_i = \frac{P_o}{\eta}$$

3. Determine plate dissipation from

$$P_p = P_i - P_o$$

P_p must not exceed maximum rated plate dissipation for tube or tubes selected.

4. Determine average plate current from

$$I_b = \frac{P_i}{E_{bb}}$$

I_b must not exceed maximum rated plate current for tube selected.

5. Determine approximate i_{bmax} from

$$\begin{aligned} i_{bmax} &= 4.5I_b \text{ for } \eta = 0.80 \\ i_{bmax} &= 4.0I_b \text{ for } \eta = 0.75 \\ i_{bmax} &= 3.5I_b \text{ for } \eta = 0.70 \end{aligned}$$

6. Locate the point on constant-current characteristics where the constant plate current line corresponding to the approximate i_{bmax} determined in step 5 crosses the line of equal plate and grid voltages ("diode line"). Read e_{bmin} at this point.³

7. Calculate E_{pm} from

$$E_{pm} = E_{bb} - e_{bmin}$$

8. Calculate the ratio $\frac{I_{pm}}{I_b}$ from

$$\frac{I_{pm}}{I_b} = \frac{2\eta E_{bb}}{E_{pm}}$$

9. From the ratio of $\frac{I_{pm}}{I_b}$ calculated in step 8 determine the ratio $\frac{i_{bmax}}{I_b}$ from Chart 1.

10. Calculate a new value for i_{bmax} from ratio found in step 9.

$$i_{bmax} = (\text{ratio from step 9}) I_b$$

11. Read e_{cmp} and i_{cmax} from constant current characteristics for values of e_{bmin} and i_{bmax} determined in steps 6 and 10.

12. Calculate the cosine of one-half the angle of plate current flow from

$$\cos \theta_p = 2.3 \left(\frac{I_{pm}}{I_b} - 1.57 \right)^4$$

13. Calculate the grid bias voltage from

$$E_{cc} = \frac{1}{1 - \cos \theta_p} \left[\cos \theta_p \left(\frac{E_{pm}}{\mu} - e_{cmp} \right) - \frac{E_{bb}}{\mu} \right]$$

14. Calculate the peak fundamental grid excitation voltage from

$$E_{gm} = e_{cmp} - E_{cc}$$

15. Calculate the ratio $\frac{E_{gm}}{E_{cc}}$ for values of E_{cc} and E_{gm} found in steps 13 and 14.

16. Read ratio $\frac{i_{cmax}}{I_c}$ from Chart 2 for ratio $\frac{E_{gm}}{E_{cc}}$ found in step 15.

17. Calculate average grid current from ratio found in step 16 and value of i_{cmax} found in step 11.

$$I_c = \frac{i_{cmax}}{\text{ratio from step 16}}$$

18. Calculate approximate grid driving power from

$$P_d = 0.9 E_{gm} I_c$$

19. Determine grid dissipation from

$$P_g = P_d + E_{cc} I_c$$

P_g must not exceed the maximum rated grid dissipation for the tube selected.

Example

A typical application of this procedure is shown in the example below.

1. Desired power output..... 1250 watts
Desired plate voltage..... 4000 volts
Desired plate efficiency..... 75 per cent ($\eta = 0.75$)

$$2. \quad P_i = \frac{1250}{0.75} = 1670 \text{ watts}$$

$$3. \quad P_p = 1670 - 1250 = 420 \text{ watts}$$

Try type 450TL; Max. $P_p = 450W$; $\mu = 18$

$$4. \quad I_b = \frac{1670}{4000} = 0.417 \text{ ampere}$$

(Max. I_b for 450TL = 0.600 ampere)

5. Approximate $i_{bmax} = 4.0 \times 0.417 = 1.67$ ampere

$$6. \quad e_{bmin} = 315 \text{ volts (see figure 2)}$$

$$7. \quad E_{pm} = 4000 - 315 = 3685 \text{ volts}$$

$$8. \quad \frac{I_{pm}}{I_b} = \frac{2 \times 0.75 \times 4000}{3685} = 1.63$$

$$9. \quad \frac{i_{bmax}}{I_b} = 3.45 \text{ (from Chart 1)}$$

$$10. \quad i_{bmax} = 3.45 \times 0.417 = 1.44 \text{ amperes}$$

$$11. \quad e_{cmp} = 280 \text{ volts}$$

$$i_{cmax} = 0.330 \text{ amperes}$$

(see figure 3)

$$12. \quad \cos \theta_p = 2.32 (1.63 - 1.57) = 0.139$$

$$13. \quad E_{cc} = \frac{1}{1 - 0.139} \left[0.139 \left(\frac{3685}{18} - 280 \right) - \frac{4000}{18} \right] = -270 \text{ volts}$$

$$14. \quad E_{gm} = 280 - (-270) = 550 \text{ volts}$$

$$15. \quad \frac{E_{gm}}{E_{cc}} = \frac{550}{-270} = -2.04$$

$$16. \quad \frac{i_{cmax}}{I_c} = 5.69 \text{ (from Chart 2)}$$

$$17. \quad I_c = \frac{0.330}{5.69} = 0.058 \text{ amperes}$$

$$18. \quad P_d = 0.9 \times 550 \times 0.058 = 28.7 \text{ watts}$$

$$19. \quad P_g = 28.7 + (-270 \times 0.058) = 13.0 \text{ watts}$$

(Max P_g for 450TL = 65 watts)⁶

² In the case of push-pull or parallel amplifier tubes the analysis should be carried out on the basis of a single tube, dividing P_i , P_o and P_p by the number of tubes before starting the analysis and multiplying I_b , I_c and P_d by the same factor after completing the analysis.

³ In a few cases the lines of constant plate current will inflect sharply upward before reaching the diode line. In these cases e_{bmin} should not be read at the diode line but at the point where the plate current line intersects a line drawn from the origin through these points of inflection.

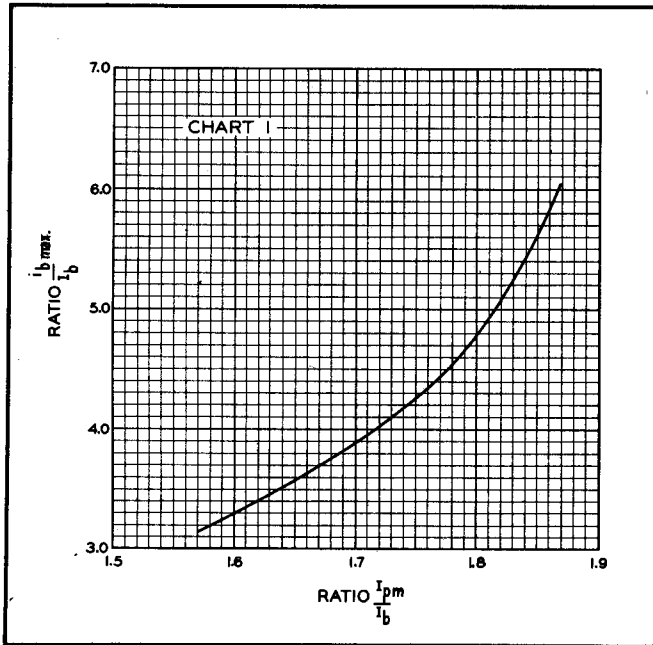


Chart 1

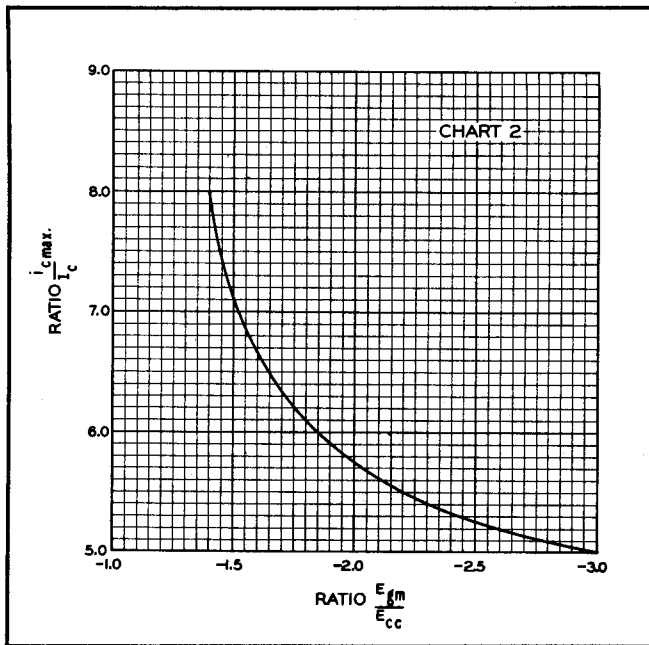


Chart 2

Nomographs

This system of class-C amplifier analysis is now being converted to nomograph form for presentation in the near future.

- 4 If this calculation gives $\text{Cos } \theta_p$ as zero or a negative quantity class-B operation is indicated and new operating conditions should be chosen on a basis of higher efficiency (less plate dissipation, more power output or less power input).
- 5 The calculated driving power is that actually used in supplying the grid and bias losses. Suitable allowance in driver design must be made to allow for losses in the coupling circuits between the driver plate and the amplifier grid.
- 6 "Vacuum Tube Ratings" Eimac News, Industrial Edition, Jan. 1945.

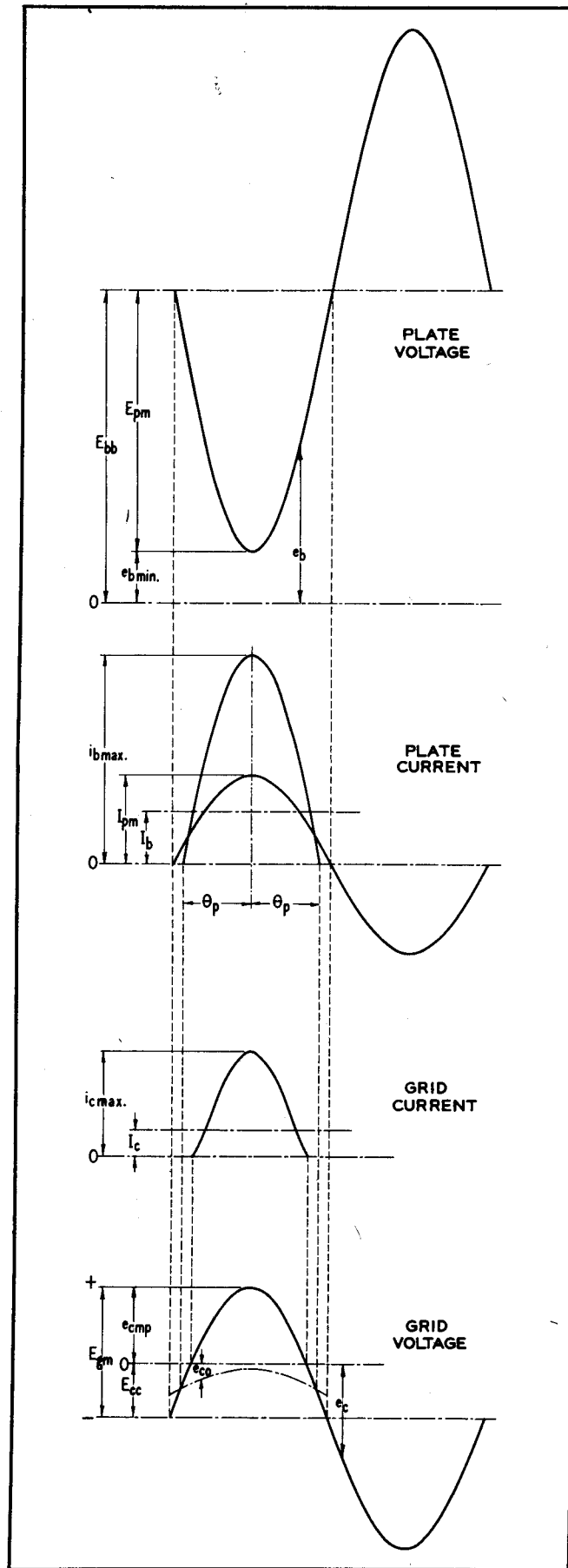


Figure 1. Symbols

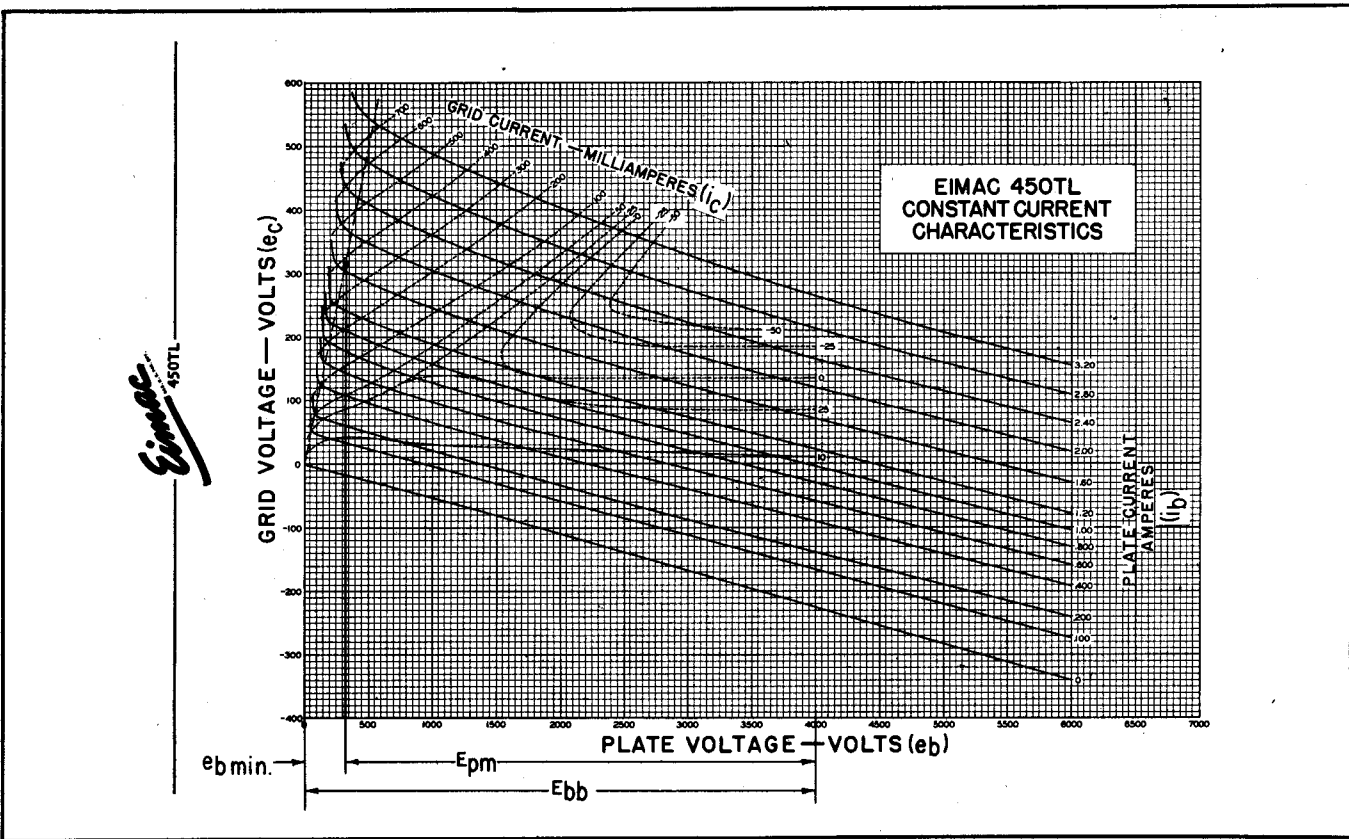


Figure 2. 450TL constant-current characteristics showing method of determining e_{bmin} and E_{pm} in steps 6 and 7 from value of i_b obtained in step 5.

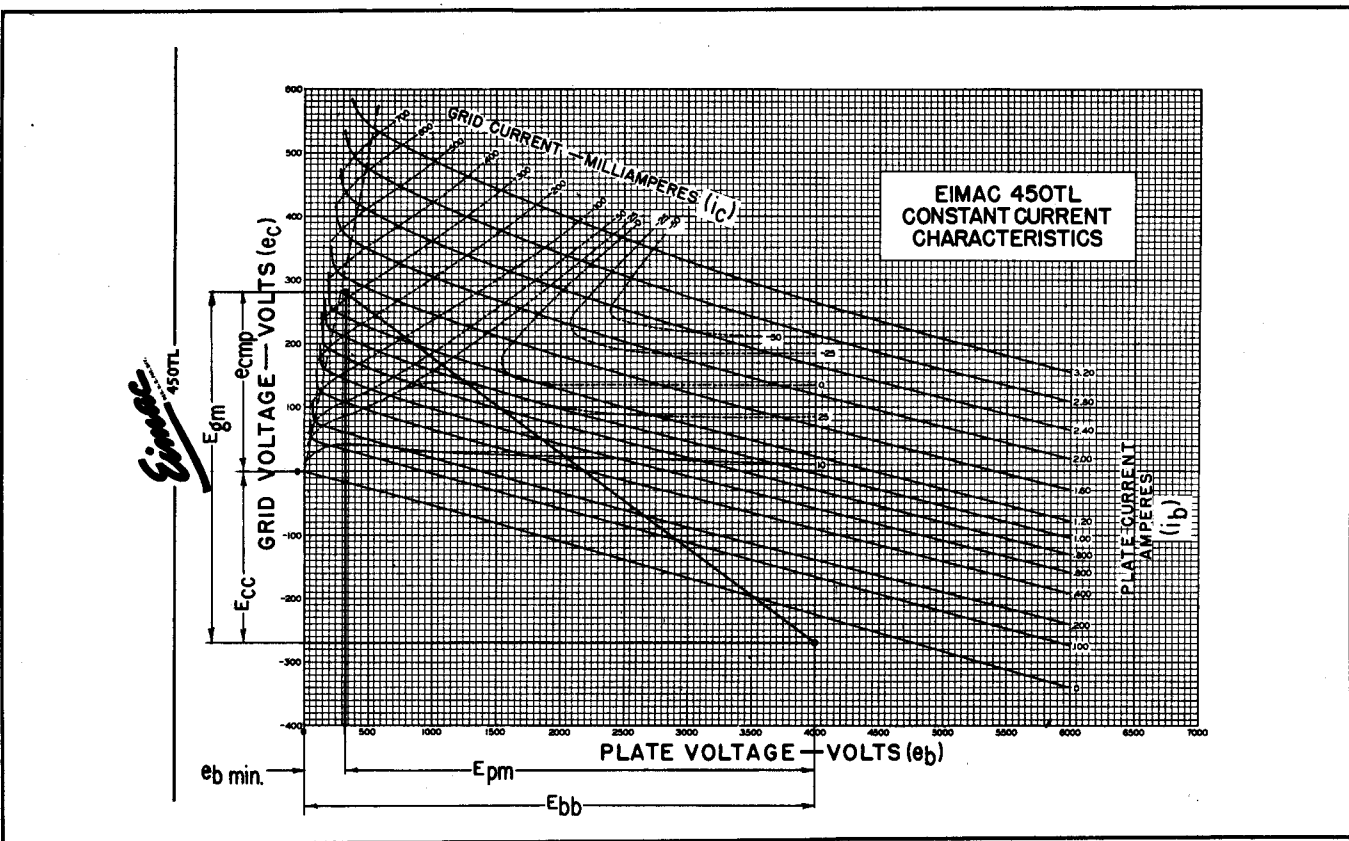


Figure 3. Method of determining e_{cmp} and i_c on 450TL constant-current characteristics from values of e_{bmin} and E_{pm} found in steps 6 and 7 and value of i_b found in step 10. The value of E_{cc} and E_{gm} from steps 13 and 14 and the operating line are also shown.

(Reprinted from January, 1945 industrial edition of the Eimac News)

Vacuum Tube Ratings

COPYRIGHT, 1945
EITEL-McCULLOUGH, INC.
SAN BRUNO, CALIF.

Vacuum Tube Ratings

The data presented on tube data sheets are usually divided into three categories, (1) Electrical and Mechanical Characteristics, (2) Maximum Ratings and (3) Typical Operating Conditions. Electrical and mechanical characteristics are self-explanatory. The typical operating conditions are intended to guide the user in application of the tube under certain "typical" conditions. Several typical operating conditions for each class of service are usually given, with plate voltage as the independent variable. The conditions are chosen so that maximum performance is obtained for each value of plate voltage.

The conditions indicated as "typical" are not the only ones under which the tube can be used, however, and for this reason maximum ratings are given, so that if the user desires to choose his own conditions he will know the maximum capabilities of the tube in regard to certain restricting factors.

Maximum ratings are set solely on a basis of expected tube life. Each rating has been carefully determined by the tube manufacturer as the maximum value which will still permit a reasonable life expectancy for the tube.

Ordinarily the manufacturer sets each limit on an individual basis without regard to any other limit except where such limits are by their nature interdependent within the tube itself. Where the limits are interdependent in this way simultaneous operation at the maximum ratings involved is assumed in setting the limits, which may then be used as individual maximums.

Maximum Plate Dissipation

The plate dissipation of all radiation-cooled Eimac tubes is limited by plate temperature and its effects on parts of the tube other than the plate. The plates of all radiation-cooled Eimac tubes will withstand several times their maximum rated plate dissipation, but the heat generated by such operation has a considerable effect on other parts of the tube. The radiant heat from the plate causes the grid, filament and envelope to become heated, while heat conducted away from the plate by the plate lead contributes to the heating of the plate seal.

These effects are not ordinarily instantaneous, however, and for this reason all radiation-cooled Eimac tubes may be momentarily subjected to plate dissipation in excess of the maximum rating. The maximum plate dissipation rating is intended to set a point where continuous operation may be carried out without damage to any part of the tube, even though the other portions may at the same time be operating at their maximum ratings.

Regardless of other conditions, the maximum plate dissipation rating should not be exceeded in continuous operation. Plate dissipation in excess of the maximum rating is permissible for short periods of time with all Eimac radiation-cooled types.

Maximum Plate Voltage

Since Eimac tubes have no internal insulators, the only purpose of the maximum plate voltage limitation is to set a point above which the glass envelope will become damaged from dielectric losses or to set indirectly a limit to the r.f. charging current flowing in the plate and filament leads. The charging current is a function of the r.f. plate voltage, which is in turn a function of the d.c. plate voltage; this makes it possible to set an adequate limit on r.f. plate current without requiring the difficult task of determining the current directly. Most Eimac maximum plate voltage ratings fall in the r-f-plate-current-limit category. However, an example of the glass-stress type of limit may be seen in the UH-50 data. This tube has the same electrode structure as the 75TL. Due to the fact that its grid and plate leads are adjacent at the top of the envelope, however, the UH-50 has a maximum plate voltage rating of 1250 volts, whereas its counterpart, the 75TL, which has widely separated electrode terminations, has a maximum plate voltage rating of 3000 volts.

Regardless of other conditions, the maximum plate voltage rating should not be exceeded.

Maximum Plate Current

The maximum d-c plate current limit on Eimac tubes is based on the available filament emission. The maximum figure is intended to set a value which may be easily realized throughout the life of the tube. There has been no conclusive indication to date that excessive current has any direct effect on the life of the filament, although there is a certain amount of evidence to support such a belief. However, if operating conditions are chosen which require that the maximum plate current limitation be exceeded at the start of tube life, it may become increasingly difficult to maintain the excessive plate current as the tube ages.

Regardless of other conditions, the maximum plate current rating should not be exceeded.

Maximum Grid Ratings

Maximum grid current ratings, when coupled with maximum bias voltage or maximum r-f grid voltage ratings could conceivably limit grid dissipation. In many tubes, however, there is little justification for an independent grid bias or r-f grid voltage rating from a practical standpoint. Actually, of course, excessive r-f or bias voltage could cause excessive seal heating or breakdown of glass insulation. On most Eimac tubes these limitations are more academic than actual, since the magnitudes of voltage required to damage the tube are far in excess of those needed in practice, and their use results in no advantage to the tube user.

In the practical sense, the only grid limitation for most Eimac tubes is grid dissipation. Excessive grid dissipation can result in either primary (thermionic) emission from the grid or in deformation or melting of the grid through overheating. Most Eimac tubes now have non-emissive grids,

so that deformation or melting is usually the only result of excessive grid dissipation.

In the past, maximum grid dissipation has been more or less implied, rather than stated, on the Eimac tube data sheet by indicating a maximum grid current value. It was assumed that the tube user would not be likely to use more grid bias than necessary, since this would result in an increase in driving power without other compensating advantages, and that with a maximum grid current rating grid dissipation was thereby limited by practical considerations rather than by a definite statement. When the limit of grid dissipation was exceeded the user was usually made aware of the fact through a falling off of grid current as primary grid emission started to take place. The grid-emission phenomena is characteristic of tubes which do not employ special non-emissive grids, and its meaning is generally understood by the great majority of tube users.

The introduction of the non-emissive grid has led to difficulties with the maximum-grid-current rating, since there is generally little sign of grid emission in these tubes up to the point where the grid is permanently deformed by overheating. Obviously a new system of maximum grid ratings is required.

While it would be possible to set a limit on grid dissipation by giving maximum figures for both grid current and bias or peak r-f voltage, this has not been considered to be advisable since it places unnecessary and artificial restrictions on the application of the tubes. The new method of rating will consist only of a maximum on grid dissipation, and, in a few cases where glass-stem insulation is involved, a limit on r-f grid voltage. This grid-rating system will be used on all future printings of Eimac tube data sheets.

The influence of plate dissipation on grid temperature has been taken into consideration in setting up the grid dissipation maximums. The maximum grid dissipation figure given for each tube may be used simultaneously with maximum rated plate dissipation.

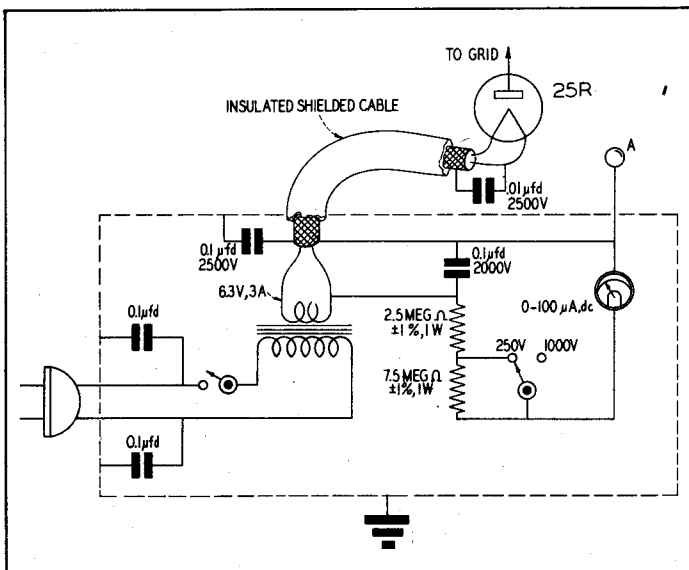


Figure 1. Peak vacuum tube voltmeter for making E_{gm} or e_{cmp} measurements.

Grid Dissipation Measurement

The obvious objection to grid-dissipation ratings is the necessity of determining the actual value of grid dissipation. Since grid dissipation is always equal to the total grid driving power less the power lost in the bias source, it is a simple matter to determine grid dissipation if the driving power is known. Driving power is equal to the driver output less the loss in the coupling circuits between the driver and the amplifier grid circuit (the coupling circuits include the driver plate tank, the coupling transmission line, and the amplifier grid tank, if one is used). Ordinarily, the losses in the coupling circuits will amount to about 30 per cent of the driver output. If this method is used:

$$P_g = N (P_o \text{ driver}) - E_c I_c$$

Where P_g = Grid Dissipation

N = Coupling Efficiency (Ordinarily $N = 0.7$)

$P_o \text{ driver}$ = Driver output power

E_c = D-C Bias Voltage

I_c = D-C Grid Current

Another method of determining grid dissipation is to subtract the bias loss from the driving power calculated by Thomas' formula¹:

$$P_d = E_{gm} I_c$$

Where E_{gm} = Peak R-F grid voltage

Grid dissipation is then approximately equal to:

$$P_g = I_c (E_{gm} - E_c) \text{ or alternatively}$$

$$P_g = e_{cmp} I_c^2$$

Where e_{cmp} = Peak Positive Grid Voltage

In order to use these expressions for P_g it is necessary to determine either E_{gm} or e_{cmp} . A suitable peak voltmeter for this purpose is shown in figure 1. When terminal (A) is connected to the negative end of the C-bias supply the meter reads E_{gm} . With (A) connected to ground, the meter indicates e_{cmp} . The first method of connection is most useful in measuring total grid driving power. When used to determine grid dissipation or driving power on a push-pull stage by measuring the voltage on each grid separately it may be advisable to shunt the "free" side of the grid tank circuit with a small capacitor having a capacitance equal to that introduced by the v.t.v.m.

The following is a tabulation of the maximum allowable grid dissipation for a group of Eimac tubes:

TYPE	MAX P _g (WATTS)	TYPE	MAX P _g (WATTS)
*25T	7	250TL	35
3C24	8	304TH	60
**35T	15	304TL	50
35TG	15	450TH	80
UH50	13	450TL	65
75TH	16	750TL	100
75TL	13	1000T	80
152TH	30	1500T	125
152TL	25	2000T	150
250TH	40		

*Max. E_{gm} 500 v.

**Max. E_{gm} , 500 v.

Regardless of other conditions, the maximum grid dissipation rating should not be exceeded.

1. Thomas, "Determination of Grid Driving Power in Radio Frequency Amplifiers," Proc. I.R.E., Vol. 17, p. 1134 (1933).

2. Everitt, "Communication Engineering" p. 562; McGraw-Hill.

EITE **Eimac** CO., CALIFORNIA

100TH

HIGH-MU TRIODE
MODULATOR
OSCILLATOR
AMPLIFIER

GENERAL CHARACTERISTICS

ELECTRICAL			
Filament: Thoriated tungsten		5.0	volts
Voltage		6.3	amperes
Current		40	
Amplification Factor (Average)		2.0	μpf
Direct Interelectrode Capacitances (Average)		2.9	μpf
Grid-Plate		0.4	μpf
Plate-Filament		5500	μmhos
Transconductance ($I_b=200$ ma., $E_b=3000$, $e_c=-15$)			
MECHANICAL	(Medium 4-pin bayonet, ceramic)		
Base		7.75	inches
Basing		3.19	inches
Maximum Overall Dimensions:		4	ounces
Length		1.5	pounds
Diameter			
Net weight			
Shipping weight (Average)			



Electrical & Mechanical Characteristics

AUDIO FREQUENCY POWER AMPLIFIER AND MODULATOR
Class B

D-C Plate Voltage			
Max.-Signal D-C Plate Current, per tube*			
Plate Dissipation, per tube*			
D-C Grid Voltage (approx.)			
Peak A-F Grid Input Voltage			
Zero-Signal D-C Plate Current			
Max.-Signal D-C Plate Current			
Max.-Signal Driving Power (approx.)			
Effective Load, Plate-to-Plate			
Max.-Signal Plate Power Output			

	TYPICAL OPERATION—2 TUBES		
	1500	2000	3000
D-C Plate Voltage	•	•	•
Max.-Signal D-C Plate Current, per tube*	-20	-35	-65
Plate Dissipation, per tube*	290	310	335
D-C Grid Voltage (approx.)	80	60	40
Peak A-F Grid Input Voltage	320	280	215
Zero-Signal D-C Plate Current	7	7	5
Max.-Signal D-C Plate Current	8750	15000	31000
Max.-Signal Driving Power (approx.)	280	360	650

Maximum Ratings

MAX. RATING	3000	volts
	225	ma.
	100	watts
		volts
		ma.
		watts
		ohms
		watts

RADIO FREQUENCY POWER AMPLIFIER AND OSCILLATOR
Class-C *Telegraphy
(Key down conditions without modulation)

D-C Plate Voltage			
D-C Plate Current			
D-C Grid Current			
D-C Grid Voltage			
Plate Power Output			
Plate Input			
Plate Dissipation			
Peak R. F. Grid Input Voltage, (approx.)			
Driving Power, (approx.)			

	TYPICAL OPERATION—1 TUBE		
	1500	2000	3000
D-C Plate Voltage	190	165	165
D-C Plate Current	48	39	51
D-C Grid Current	-65	-80	-200
D-C Grid Voltage	185	235	400
Plate Power Output	285	335	500
Plate Input	100	100	100
Plate Dissipation	230	230	385
Peak R. F. Grid Input Voltage, (approx.)	10	8	18
Driving Power, (approx.)			

MAX. RATING	3000	volts
	225	ma.
	60	watts
		volts
		watts
	100	watts
		volts
		watts

*The above figures show actual measured tube performance, and do not allow for variations in circuit layout.
(Effective 8-1-44)

Typical Operating Conditions

Front page of a typical Eimac data sheet, annotated to the accompanying discussion on vacuum tube ratings

TENTATIVE DATA

Eimac
 EITEL-McCULLOUGH, INC.
 SAN BRUNO, CALIFORNIA

4-65A
 POWER TETRODE

The Eimac 4-65A is a small radiation-cooled transmitting tetrode having a maximum plate dissipation rating of 65 watts. The plate operates at a red color at maximum dissipation. Short, heavy leads and low interelectrode capacitances contribute to stable efficient operation at high frequencies.

Although it is capable of withstanding high plate voltages, the internal geometry of the 4-65A is such that it will deliver relatively high power output at low plate voltage.

The quick-heating filament allows conservation of power during standby periods in mobile applications.

GENERAL CHARACTERISTICS

ELECTRICAL

Filament:	Thoriated tungsten	
	Voltage	6.0 volts
	Current	3.5 amperes
Grid-Screen Amplification Factor (Average)		5
Direct Interelectrode Capacitances (Average)		
	Grid-Plate	0.08 uuf.
	Input	8.0 uuf.
	Output	2.1 uuf.

MECHANICAL

Base	5-pin -- Fits Johnson No. 122-247 or 122-101 Socket.
Mounting	Vertical, base down or up
Cooling	Radiation ¹
Maximum Overall Dimensions:	
Length	4.25 inches
Diameter	2.31 inches
Net Weight	3 ounces
Shipping Weight (Average)	1.5 pounds

RADIO-FREQUENCY POWER AMPLIFIER OR OSCILLATOR

Class-C Telegraphy or FM Telephony (Key-down conditions, per tube)

MAXIMUM RATINGS

D-C PLATE VOLTAGE ¹	3000 MAX. VOLTS
D-C SCREEN VOLTAGE	400 MAX. VOLTS
D-C GRID VOLTAGE	-500 MAX. VOLTS
D-C PLATE CURRENT	150 MAX. MA.
PLATE DISSIPATION	65 MAX. WATTS
SCREEN DISSIPATION	10 MAX. WATTS
GRID DISSIPATION	5 MAX. WATTS

TYPICAL OPERATION

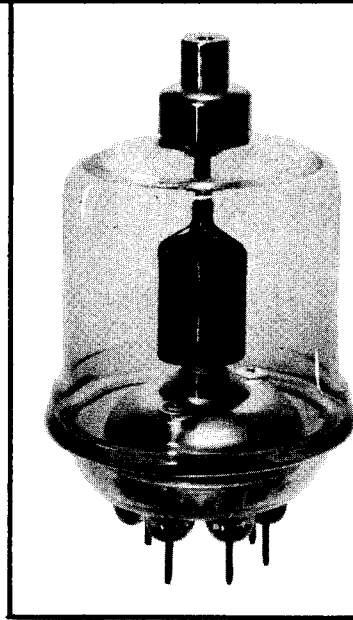
D-C PLATE VOLTAGE	600	1000	1500	VOLTS
D-C SCREEN VOLTAGE	250	250	250	VOLTS
D-C GRID VOLTAGE	-45	-70	-75	VOLTS
D-C PLATE CURRENT	125	125	125	MA.
D-C SCREEN CURRENT	40	35	25	MA.
D-C GRID CURRENT	17	14	12	MA.
PEAK R-F GRID INPUT VOLTAGE (approx.)	116	132	133	VOLTS
DRIVING POWER (approx.)	2	1.8	1.6	WATTS
SCREEN DISSIPATION	10	8.7	6.2	WATTS
PLATE POWER INPUT	75	125	188	WATTS
PLATE DISSIPATION	26	37	50	WATTS
PLATE POWER OUTPUT	49	88	138	WATTS

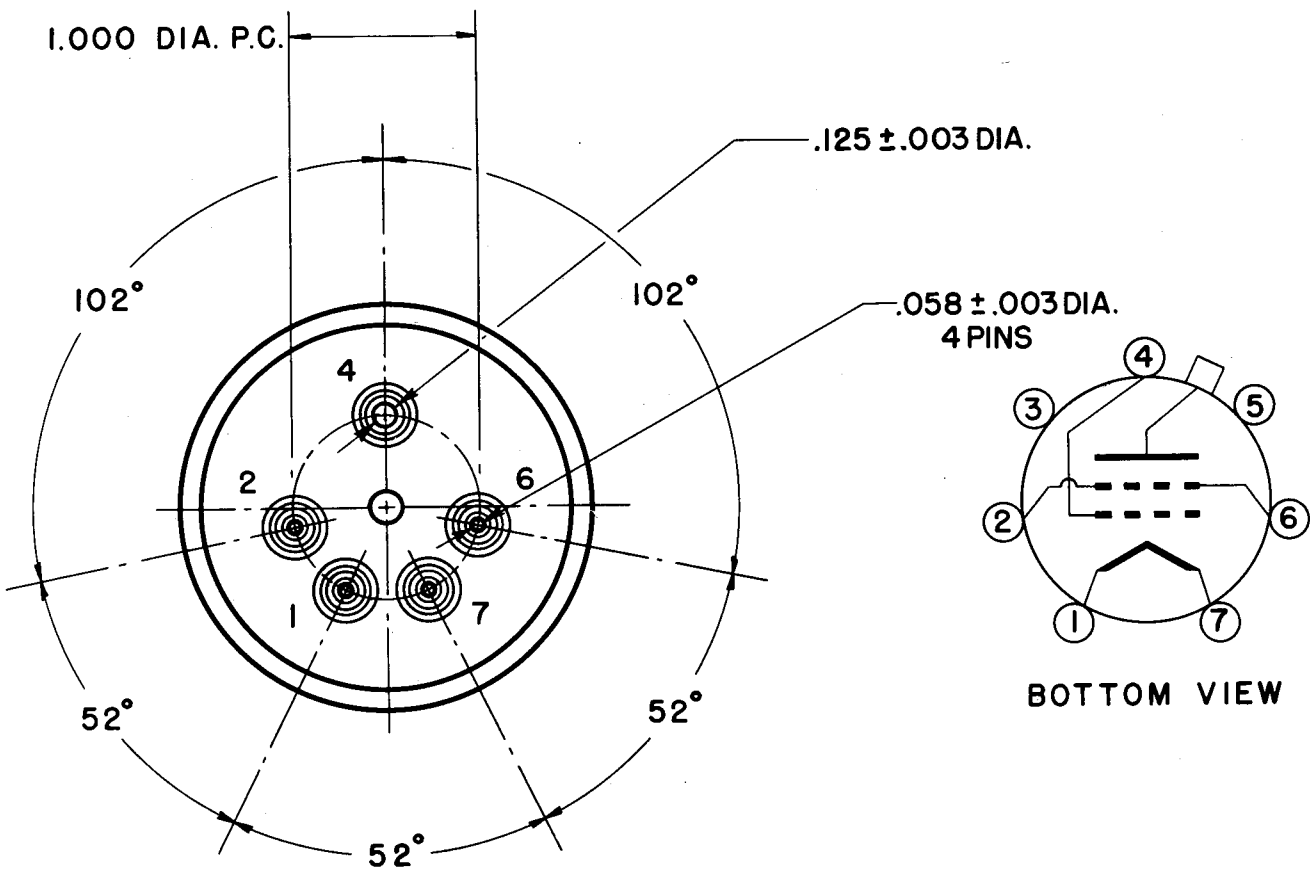
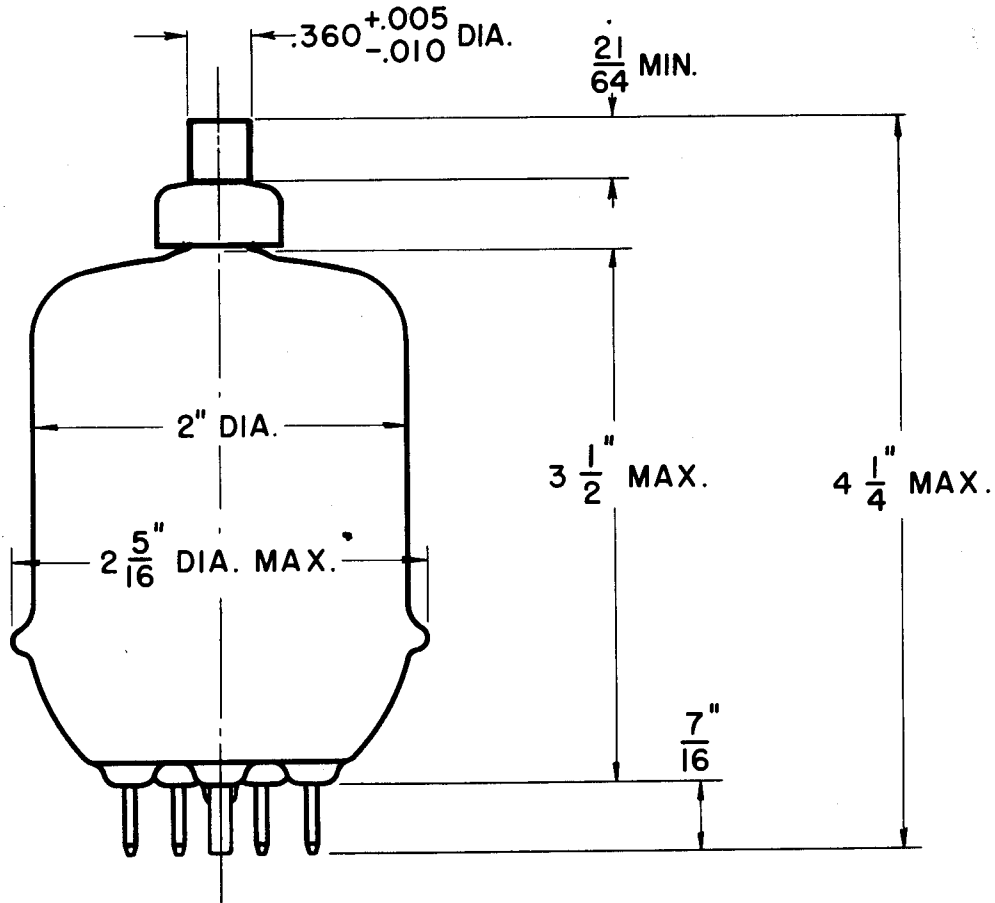
¹Maximum allowable voltage is limited by seal temperatures, which increase with increasing frequency. With normal ventilation, maximum rated plate voltage may be used at frequencies up to approximately 50 Mc. Above this frequency, the plate voltage should be reduced, or special attention should be given to seal cooling. The temperature of any seal should not be allowed to exceed 200 degrees C. Where ventilation is not adequate, special attention to seal cooling may be required below 50 Mc.

Copyright 1947 by Eitel-McCullough, Inc.

(Effective 4-15-47)

TENTATIVE DATA





BOTTOM VIEW

The Eimac 4-125A is a power tetrode having a maximum plate dissipation rating of 125 watts, and is intended for use as an amplifier, oscillator or modulator. Due to its high power sensitivity, it will deliver relatively large output with low driving power. The low grid-plate capacitance of the 4-125A makes neutralization unnecessary in most cases, and simplifies it in other cases. The compact construction of this tube permits its operation at full input up to frequencies as high as 120 Mc.

Cooling of the 4-125A is accomplished by radiation from the plate, which operates at a visible red color at maximum dissipation, and by air circulation through the base and around the envelope.



GENERAL CHARACTERISTICS

ELECTRICAL

Filament: Thoriated tungsten	
Voltage	5.0 volts
Current	6.5 amperes
Grid-Screen Amplification Factor (Average)	6.2
Direct Interelectrode Capacitances (Average)	
Grid-Plate (without shielding, base grounded)	0.05 $\mu\mu\text{fd.}$
Input	10.8 $\mu\mu\text{fd.}$
Output	3.1 $\mu\mu\text{fd.}$
Transconductance ($i_b=50 \text{ ma.}$, $E_b=2500 \text{ v.}$, $E_{c2}=400 \text{ v.}$)	2450 μmhos

MECHANICAL

Base	5-pin metal shell, No. 5008B
Basing	RMA type 5BK
Cooling	Radiation and forced air
Maximum Overall Dimensions:	
Length	5.69 inches
Diameter	2.72 inches
Net Weight	6.5 ounces
Shipping Weight (Average)	1.5 pounds

IF IT IS DESIRED TO OPERATE THIS TUBE UNDER CONDITIONS WIDELY DIFFERENT THAN THOSE GIVEN UNDER "TYPICAL OPERATION," AND WHICH POSSIBLY EXCEED MAXIMUM RATINGS, WRITE EITEL-McCULLOUGH, INC., FOR INFORMATION AND RECOMMENDATIONS.

RADIO FREQUENCY POWER AMPLIFIER AND OSCILLATOR

Class-C Telephony or FM Telephony (Key-down conditions, 1 tube)

MAXIMUM RATINGS

D-C PLATE VOLTAGE ¹	-	-	-	-	-	3000 MAX. VOLTS
D-C SCREEN VOLTAGE	-	-	-	-	-	400 MAX. VOLTS
D-C GRID VOLTAGE	-	-	-	-	-	-500 MAX. VOLTS
D-C PLATE CURRENT	-	-	-	-	-	225 MAX. MA.
PLATE DISSIPATION	-	-	-	-	-	125 MAX. WATTS
SCREEN DISSIPATION	-	-	-	-	-	20 MAX. WATTS
GRID DISSIPATION	-	-	-	-	-	5 MAX. WATTS

TYPICAL OPERATION (Frequencies below 120 Mc.)

D-C Plate Voltage	-	-	-	-	2000	2500	3000	volts
D-C Screen Voltage	-	-	-	-	350	350	350	volts
D-C Grid Voltage	-	-	-	-	-100	-150	-150	volts
D-C Plate Current	-	-	-	-	200	200	167	ma.
D-C Screen Current	-	-	-	-	50	40	30	ma.
D-C Grid Current	-	-	-	-	12	12	9	ma.
Screen Dissipation	-	-	-	-	18	14	10.5	watts
Grid Dissipation	-	-	-	-	1.6	2	1.2	watts
Peak R-F Grid Input Voltage (approx.)	-	-	-	-	230	320	280	volts
Driving Power (approx.) ²	-	-	-	-	2.8	3.8	2.5	watts
Plate Power Input	-	-	-	-	400	500	500	watts
Plate Dissipation	-	-	-	-	125	125	125	watts
Plate Power Output	-	-	-	-	275	375	375	watts

AUDIO FREQUENCY POWER AMPLIFIER AND MODULATOR

Class-AB₂ (Sinusoidal wave, two tubes unless otherwise specified)

MAXIMUM RATINGS

D-C PLATE VOLTAGE	-	-	-	-	-	3000 MAX. VOLTS
D-C SCREEN VOLTAGE	-	-	-	-	-	600 MAX. VOLTS
MAX-SIGNAL D-C PLATE CURRENT, PER TUBE	-	-	-	-	-	225 MAX. MA.
PLATE DISSIPATION, PER TUBE	-	-	-	-	-	125 MAX. WATTS
SCREEN DISSIPATION, PER TUBE	-	-	-	-	-	20 MAX. WATTS

TYPICAL OPERATION

D-C Plate Voltage	-	-	-	-	1500	2000	2500	volts
D-C Screen Voltage	-	-	-	-	600	600	600	volts
D-C Grid Voltage ²	-	-	-	-	-90	-94	-96	volts
Zero-Signal D-C Plate Current	-	-	-	-	60	50	50	ma.
Max-Signal D-C Plate Current	-	-	-	-	222	240	232	ma.
Zero-Signal D-C Screen Current	-	-	-	-	-1.0	-0.5	-0.3	ma.
Max-Signal D-C Screen Current	-	-	-	-	17	6.4	8.5	ma.
Effective Load, Plate-to-Plate	-	-	-	-	10,200	13,400	20,300	ohms
Peak A-F Grid Input Voltage (per tube)	-	-	-	-	90	94	96	volts
Driving Power	-	-	-	-	0	0	0	watt
Max-Signal Plate Dissipation (per tube)	-	-	-	-	87.5	125	125	watts
Max-Signal Plate Power Output	-	-	-	-	158	230	330	watts
Total Harmonic Distortion	-	-	-	-	5	2	2.6	per ct.

¹ Above 120 Mc. the maximum plate voltage rating depends upon frequency see page 8.

Indicates change from sheet dated 11-1-46

HIGH-LEVEL MODULATED RADIO FREQUENCY AMPLIFIER

Class-C Telephony (Carrier conditions unless otherwise specified, 1 tube)

MAXIMUM RATINGS

D-C PLATE VOLTAGE ¹	-	-	-	-	-	2500 MAX. VOLTS
D-C SCREEN VOLTAGE	-	-	-	-	-	400 MAX. VOLTS
D-C GRID VOLTAGE	-	-	-	-	-	-500 MAX. VOLTS
D-C PLATE CURRENT	-	-	-	-	-	200 MAX. MA.
PLATE DISSIPATION	-	-	-	-	-	85 MAX. WATTS
SCREEN DISSIPATION	-	-	-	-	-	20 MAX. WATTS
GRID DISSIPATION	-	-	-	-	-	5 MAX. WATTS

TYPICAL OPERATION (Frequencies below 120 Mc.)

D-C Plate Voltage	-	-	-	-	-	2000	2500	volts
D-C Screen Voltage	-	-	-	-	-	350	350	volts
D-C Grid Voltage	-	-	-	-	-	-220	-210	volts
D-C Plate Current	-	-	-	-	-	150	152	ma.
D-C Screen Current	-	-	-	-	-	33	30	ma.
D-C Grid Current	-	-	-	-	-	10	9	ma.
Screen Dissipation	-	-	-	-	-	11.5	10.5	watts
Grid Dissipation	-	-	-	-	-	1.6	1.4	watts
Peak A-F Screen Voltage, 100% Modulation	-	-	-	-	-	210	210	volts
Peak R-F Grid Input Voltage (approx.)	-	-	-	-	-	375	360	volts
Driving Power (approx.) ²	-	-	-	-	-	3.8	3.3	watts
Plate Power Input	-	-	-	-	-	300	380	watts
Plate Dissipation	-	-	-	-	-	75	80	watts
Plate Power Output	-	-	-	-	-	225	300	watts

AUDIO FREQUENCY POWER AMPLIFIER AND MODULATOR

Class-AB₂ (Sinusoidal wave, two tubes unless otherwise specified)

MAXIMUM RATINGS

D-C PLATE VOLTAGE	-	-	-	-	-	3000 MAX. VOLTS
D-C SCREEN VOLTAGE	-	-	-	-	-	400 MAX. VOLTS
MAX-SIGNAL D-C PLATE CURRENT, PER TUBE	-	-	-	-	-	225 MAX. MA.
PLATE DISSIPATION, PER TUBE	-	-	-	-	-	125 MAX. WATTS
SCREEN DISSIPATION, PER TUBE	-	-	-	-	-	20 MAX. WATTS

TYPICAL OPERATION

D-C Plate Voltage	-	-	-	-	1500	2000	2500	volts
D-C Screen Voltage	-	-	-	-	350	350	350	volts
D-C Grid Voltage	-	-	-	-	-41	-45	-43	volts
Zero-Signal D-C Plate Current	-	-	-	-	87	72	93	ma.
Max-Signal D-C Plate Current	-	-	-	-	400	300	260	ma.
Zero-Signal D-C Screen Current	-	-	-	-	0	0	0	ma.
Max-Signal D-C Screen Current	-	-	-	-	34	5	6	ma.
Effective Load, Plate-to-Plate	-	-	-	-	7200	13,600	22,200	ohms
Peak A-F Grid Input Voltage (per tube)	-	-	-	-	141	105	89	volts
Max-Signal Avg. Driving Power (approx.)	-	-	-	-	2.5	1.4	1	watts
Max-Signal Peak Driving Power	-	-	-	-	5.2	3.1	2.4	watts
Max-Signal Plate Dissipation (per tube)	-	-	-	-	125	125	122	watts
Max-Signal Plate Power Output	-	-	-	-	350	350	400	watts
Total Harmonic Distortion	-	-	-	-	2.5	1	2.2	per ct.

² The effective grid circuit resistance for each tube must not exceed 250,000 ohms.

³ Driving power increases above 70 Mc. See Page Eight.

APPLICATION

MECHANICAL

Mounting—The 4-125A must be mounted vertically, base up or base down. The socket must provide clearance for the glass tip-off which extends through the center of the base. The metal base shell should be grounded by means of suitable spring fingers. A flexible connecting strap should be provided between the plate terminal and the external plate circuit. The socket must not apply excessive lateral pressure against the base pins. The tube must be protected from severe vibration and shock.

Cooling—Adequate cooling must be provided for the seals and envelope of the 4-125A. In continuous-service applications, the temperature of the plate seal, as measured on the top of the plate cap, should not exceed 170° C. A relatively slow movement of air past the tube is sufficient to prevent seal temperatures in excess of maximum at frequencies below 30 Mc. At frequencies above 30 Mc., radio-frequency losses in the leads and envelope contribute to seal and envelope heating, and special attention should be given to cooling. A small fan or centrifugal blower directed toward the upper portion of the envelope will usually provide sufficient circulation for cooling at frequencies above 30 Mc., however.

In intermittent-service applications where the "on" time does not exceed a total of five minutes in any ten-minute period, plate seal temperatures as high as 220° C. are permissible. When the ambient temperature does not exceed 30° C. it will not ordinarily be necessary to provide forced cooling to hold the temperature below this maximum at frequencies below 30 Mc., provided that a heat-dissipating plate connector is used, and the tube is so located that normal circulation of air past the envelope is not impeded.

Provision must be made for circulation of air through the base of the tube. Where shielding or socket design makes it impossible to allow free circulation of air through the base, it will be necessary to apply forced-air cooling to the stem structure. An air flow of two cubic feet per minute through the base will be sufficient for stem cooling.

ELECTRICAL

Filament Voltage—For maximum tube life the filament voltage, as measured directly at the filament pins, should be the rated value of 5.0 volts. Unavoidable variations in filament voltage must be kept within the range from 4.75 to 5.25 volts.

Bias Voltage—D-c bias voltage for the 4-125A should not exceed 500 volts. If grid-leak bias is used, suitable protective means must be provided to prevent excessive plate or screen dissipation in the event of loss of excitation.

Screen Voltage—The d-c screen voltage for the 4-125A should not exceed 400 volts, except for class-AB₁ audio operation.

Plate Voltage—The plate-supply voltage for the 4-125A should not exceed 3000 volts for frequencies below 120 Mc. The maximum permissible plate voltage is less than

3000 volts above 120 Mc., as shown by the graph on page 8.

Grid Dissipation—Grid dissipation for the 4-125A should not be allowed to exceed five watts. Grid dissipation may be calculated from the following expression:

$$P_g = e_{cmp} I_c$$

where P_g = Grid dissipation,

e_{cmp} = Peak positive grid voltage, and

I_c = D-c grid current.

e_{cmp} may be measured by means of a suitable peak voltmeter connected between filament and grid³.

Screen Dissipation—The power dissipated by the screen of the 4-125A must not exceed 20 watts. Screen dissipation is likely to rise to excessive values when the plate voltage, bias voltage or plate load are removed with filament and screen voltages applied. Suitable protective means must be provided to limit screen dissipation to 20 watts in the event of circuit failure.

Plate Dissipation—Under normal operating conditions, the plate dissipation of the 4-125A should not be allowed to exceed 125 watts in unmodulated applications.

In high-level-modulated amplifier applications, the maximum allowable carrier-condition plate dissipation is 85 watts. The plate dissipation will rise to 125 watts under 100% sinusoidal modulation.

Plate dissipation in excess of the maximum rating is permissible for short periods of time, such as during tuning procedures.

OPERATION

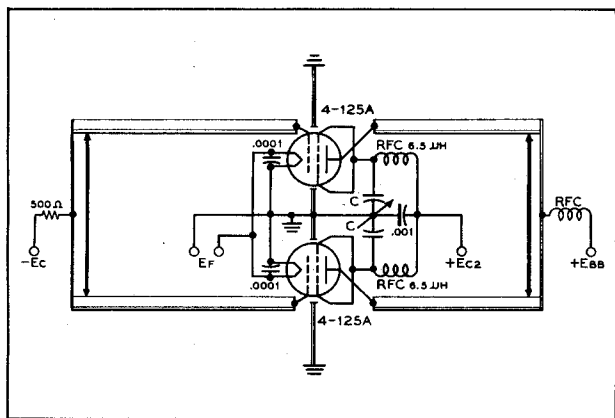
Class-C Telegraphy or FM Telephony—The 4-125A may be operated as a class-C telegraph or FM telephone amplifier without neutralization up to 100 Mc. if reasonable precautions are taken to prevent coupling between input and output circuits external to the tube. A grounded metallic plate on which the socket may be mounted and to which suitable connectors may be attached to ground the tube base shell provides an effective isolating shield between grid and plate circuits. In single-ended circuits, plate, grid, filament and screen by-pass capacitors should be returned through the shortest possible leads to a common chassis point. In push-pull applications the filament and screen terminals of each tube should be by-passed to a common chassis point by the shortest possible leads, and short, heavy leads should be used to interconnect the screens and filaments of the two tubes. Care should be taken to prevent leakage of radio-frequency energy to leads entering the amplifier, to prevent grid-plate coupling between these leads external to the amplifier.

Above 100 Mc., or at lower frequencies if shielding is inadequate, it is necessary to neutralize the 4-125A in ordinary applications.

Where shielding is adequate, the feed-back at frequencies above 100 Mc. is due principally to screen-lead-inductance effects, and it becomes necessary to introduce

³ For suitable peak v.t.v.m. circuits see, for instance, "Vacuum Tube Ratings," Eimac News, January, 1945. This article is available in reprint form on request.

in-phase voltage from the plate circuit into the grid circuit. This can be done by adding capacitance between plate and grid external to the tube. Ordinarily, a small metal tab approximately 3/4-inch square connected to the grid terminal and located adjacent to the envelope opposite the plate will suffice for neutralization. Means should be provided for adjusting the spacing between the neutralizing capacitor plate and the envelope, but care must be taken to prevent the neutralizing plate from touching the envelope. An alternative neutralization scheme is illustrated in the diagram below. In this circuit feed-back is eliminated by series-tuning the screen to ground with a small capacitor. The socket screen terminals should be strapped together, as shown on the dia-



Screen-tuning neutralization circuit for use above 100 Mc.

C is a small split-stator capacitor.

$$C_{(uv/d)} = \frac{640,000}{f^2 (\text{Mc.})}, \text{ approx.}$$

gram, by the shortest possible lead, and the leads from the screen terminal to the capacitor, C, and from the capacitor to ground should be made as short as possible. All connections to the screen terminals should be made to the center of the strap between the terminals, in order to equalize the current in the two screen leads and prevent overheating one of them. The value for C given under the diagram presupposes the use of the shortest possible leads.

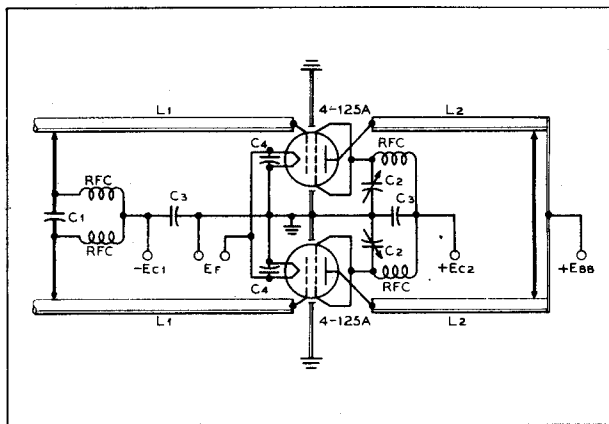
At frequencies below 100 Mc., and where shielding is inadequate, ordinary neutralization systems may be used. With reasonably effective shielding, however, neutralization should not be required below 100 Mc.

The driving power and power output under typical operating conditions, with maximum output and plate voltage, are shown on page 8. The power output shown is the actual plate power delivered by the tube; the power delivered to the load will depend upon the efficiency of the plate tank and output coupling system. The driving power is likewise the driving power required by the tube (includes bias loss). The driver output power should exceed the driving power requirement by a sufficient margin to allow for coupling-circuit losses. These losses will not ordinarily amount to more than 30 or 40 per cent of the driving power, except at frequencies above 150 Mc. The

use of silver-plated linear tank-circuit elements is recommended at frequencies above 100 Mc.

Conventional capacitance-shortened quarter-wave linear grid tank circuits having a calculated Z_0 of 160 ohms or less may be used with the 4-125A up to 175 Mc. Above 175 Mc. linear grid tank circuits employing a "capacitor"-type shorting bar, as illustrated in the diagram below, may be used. The capacitor, C₁, may consist of two silver-plated brass plates one inch square with a piece of .010-inch mica or polystyrene as insulation.

Class-C AM Telephony—The r-f circuit considerations discussed above under Class-C Telephony or FM Telephony also apply to amplitude-modulated operation of the 4-125A. When the 4-125A is used as a class-C high-level-



Typical circuit arrangement useful for frequencies above 175 Mc.

- C₁—See above.
- C₂—Neutralizing capacitor.
- C₃—100 ufd.
- C₄—100 ufd.

- L₁—3/8" dia. copper spaced, 1" center-to-center, 6" long.
- L₂—7/8" dia. brass, silver plated, spaced 1 1/2" center-to-center, 14" long.

modulated amplifier, modulation should be applied to both plate and screen. Modulation voltage for the screen may be obtained from a separate winding on the modulation transformer, by supplying the screen voltage via a series dropping resistor from the unmodulated plate supply, or by the use of an audio-frequency reactor in the positive screen-supply lead. When screen modulation is obtained by either the series-resistor or the audio-reactor method, the audio-frequency variations in screen current which result from variations in plate voltage as the plate is modulated automatically give the required screen modulation. Where a reactor is used, it should have a rated inductance of not less than 10 henries divided by the number of tubes in the modulated amplifier and a maximum current rating of two or three times the operating d-c screen current. To prevent phase shift between the screen and plate modulation voltages at high audio frequencies, the screen by-pass capacitor should be no larger than necessary for adequate r-f by-passing. Where screen voltage is obtained from a separate winding on the modulation transformer, the screen winding should be designed to deliver the peak screen modulation voltage given in the typical operating data on page 1.

For high-level modulated service, the use of partial grid-leak bias is recommended. Any by-pass capacitors placed across the grid-leak resistance should have a reactance at the highest modulation frequency equal to at least twice the grid-leak resistance.

Class-AB₁ and Class-AB₂ Audio—Two 4-125A's may be used in a push-pull circuit to give relatively high audio output power at low distortion. Maximum ratings and typical operating conditions for class-AB₁ and class-AB₂ audio operation are given in the tabulated data.

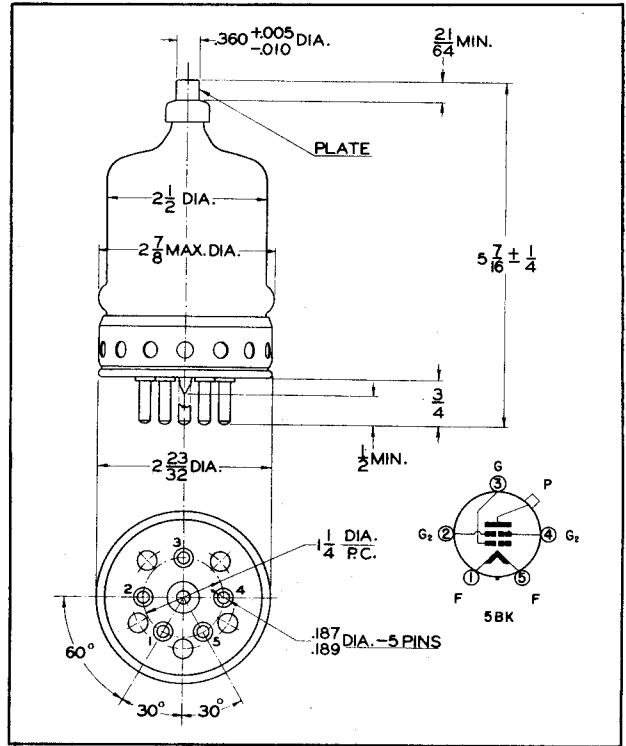
When type 4-125A tubes are used as class-AB₁ or class-AB₂ audio amplifiers at 1500 plate volts, under the conditions given under "Typical Operation," the screen voltage must be obtained from a source having reasonably good regulation, to prevent variations in screen voltage from zero-signal to maximum-signal conditions. The use of voltage regulator tubes in a standard circuit will provide adequate regulation. The variation in screen current at plate voltages of 2000 and above is low enough so that any screen power supply having a normal order of regulation will serve. The driver plate supply makes a convenient source of screen voltage under these conditions.

Grid bias for class-AB₂ service may be obtained from batteries or from a small fixed-bias supply. When a bias supply is used, the d-c resistance of the bias source should not exceed 250 ohms. Under class-AB₁ conditions the effective grid-circuit resistance for each tube should not exceed 250,000 ohms.

The peak driving power figures given in the class-AB₂ tabulated data are included to make possible an accurate determination of the required driver output power. The driving amplifier must be capable of supplying the peak driving power without distortion. The driver stage should, therefore, be capable of providing an undistorted average output equal to half the peak driving power require-

ment. A small amount of additional driver output should be provided to allow for losses in the coupling transformer.

The power output figures given in the tabulated data refer to the total power output from the amplifier tubes. The useful power output will be from 5 to 15 per cent less than the figures shown, due to losses in the output transformer.

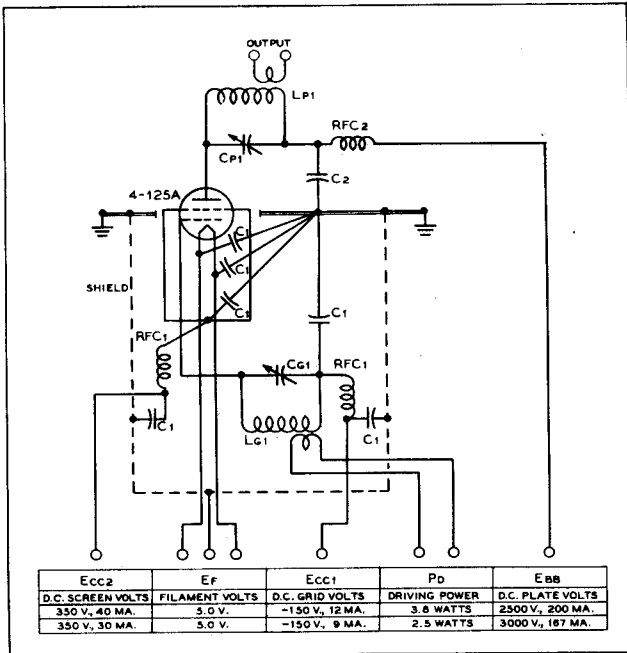


COMPONENTS FOR TYPICAL CIRCUITS

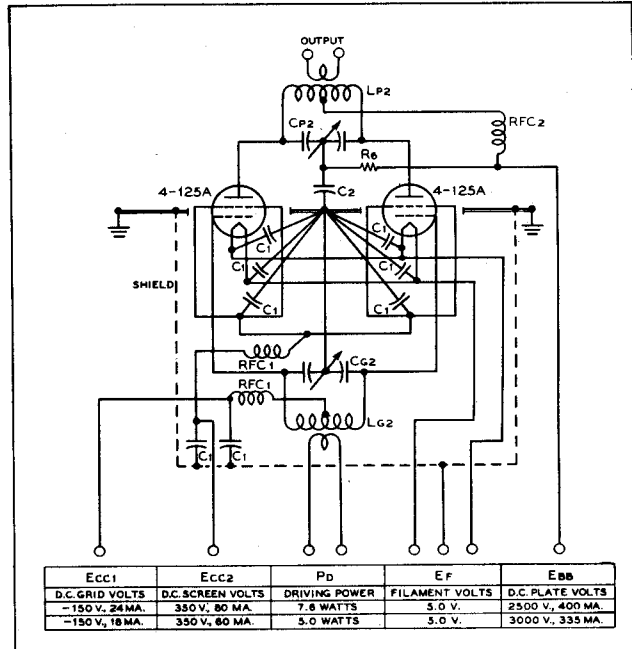
(Diagrams, Page 6)

- $L_{p1} - C_{p1}$ — Tank circuit appropriate for operating frequency; $Q = 12$. Capacitor plate spacing = .200".
- $L_{p2} - C_{p2}$ — Tank circuit appropriate for operating frequency; $Q = 12$. Capacitor plate spacing = .200".
- $L_{p3} - C_{p3}$ — Tank circuit appropriate for operating frequency; $Q = 12$. Capacitor plate spacing = .375".
- $L_{p4} - C_{p4}$ — Tank circuit appropriate for operating frequency; $Q = 12$. Capacitor plate spacing = .375".
- $L_{g1} - C_{g1}$ — Tuned circuit appropriate for operating frequency.
- $L_{g2} - C_{g2}$ — Tuned circuit appropriate for operating frequency.
- C_1 — .002-ufd., 500-v. mica
- C_2 — .002-ufd., 5000-v. mica
- C_3 — .001-ufd., 2500-v. mica
- C_4 — 16-ufd., 450-v. electrolytic
- C_5 — 10-ufd., 25-v. electrolytic
- R_1 — 7000 ohms, 5 watts

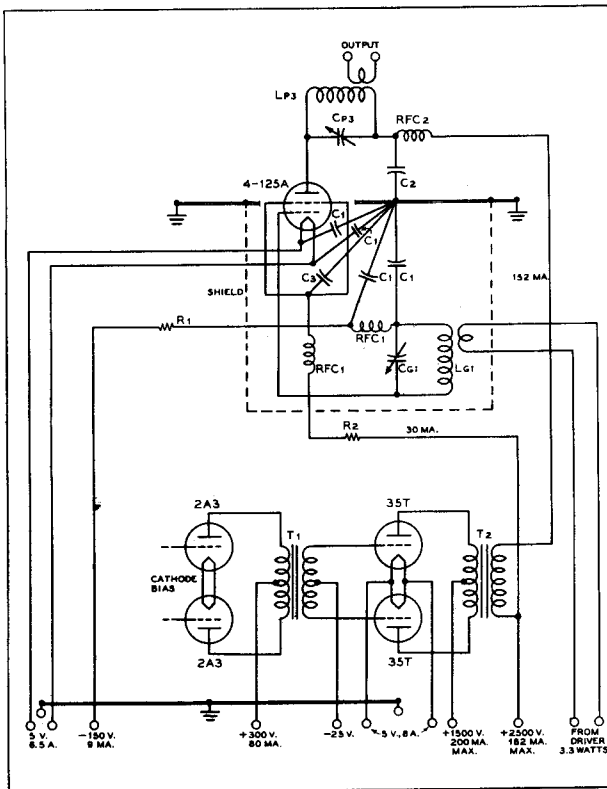
- R_2 — 70,000 ohms, 100 watts
- R_3 — 3500 ohms, 5 watts
- R_4 — 35,000 ohms, 200 watts
- R_5 — 560 ohms, 1 watt
- R_6 — 25,000 ohms, 2 watts
- R_7 — 1500 ohms, 5 watts
- RFC_1 — 2.5-mhy., 125-ma. r-f choke
- RFC_2 — 1-mhy., 500-ma. r-f choke
- T_1 — 10-watt driver transformer; ratio pri. to $\frac{1}{2}$ sec. approx. 2:1.
- T_2 — 200-watt modulation transformer; ratio pri. to sec. approx. 1:1; pri. impedance = 16,200 ohms, sec. impedance = 16,500 ohms.
- T_3 — 5-watt driver transformer; ratio pri. to $\frac{1}{2}$ sec. approx. 1.1:1.
- T_4 — 400-watt modulation transformer; ratio pri. to sec. approx. 2.7:1; pri. impedance = 22,200 ohms, sec. impedance = 8300 ohms.



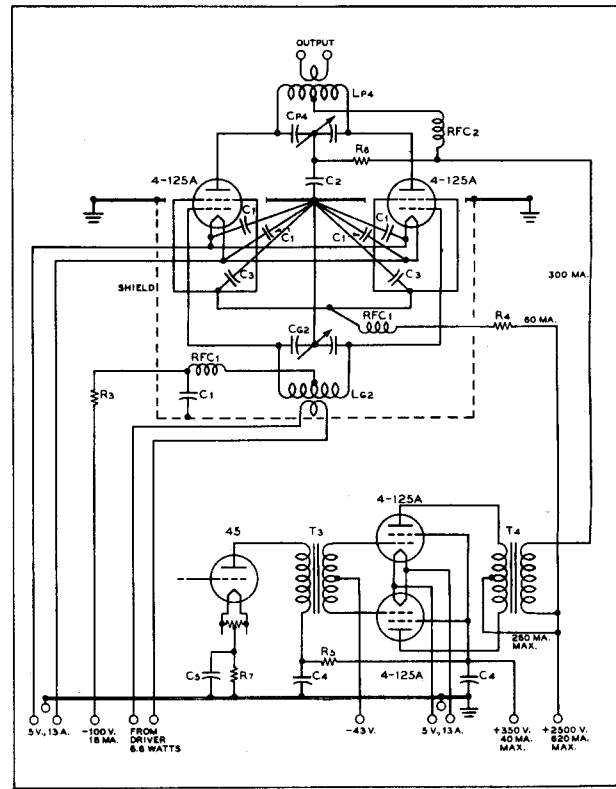
Typical radio-frequency power amplifier circuit, Class-C telegraphy, 500 watts input.



Typical radio-frequency power amplifier circuit, Class-C telegraphy, 1000 watts input.

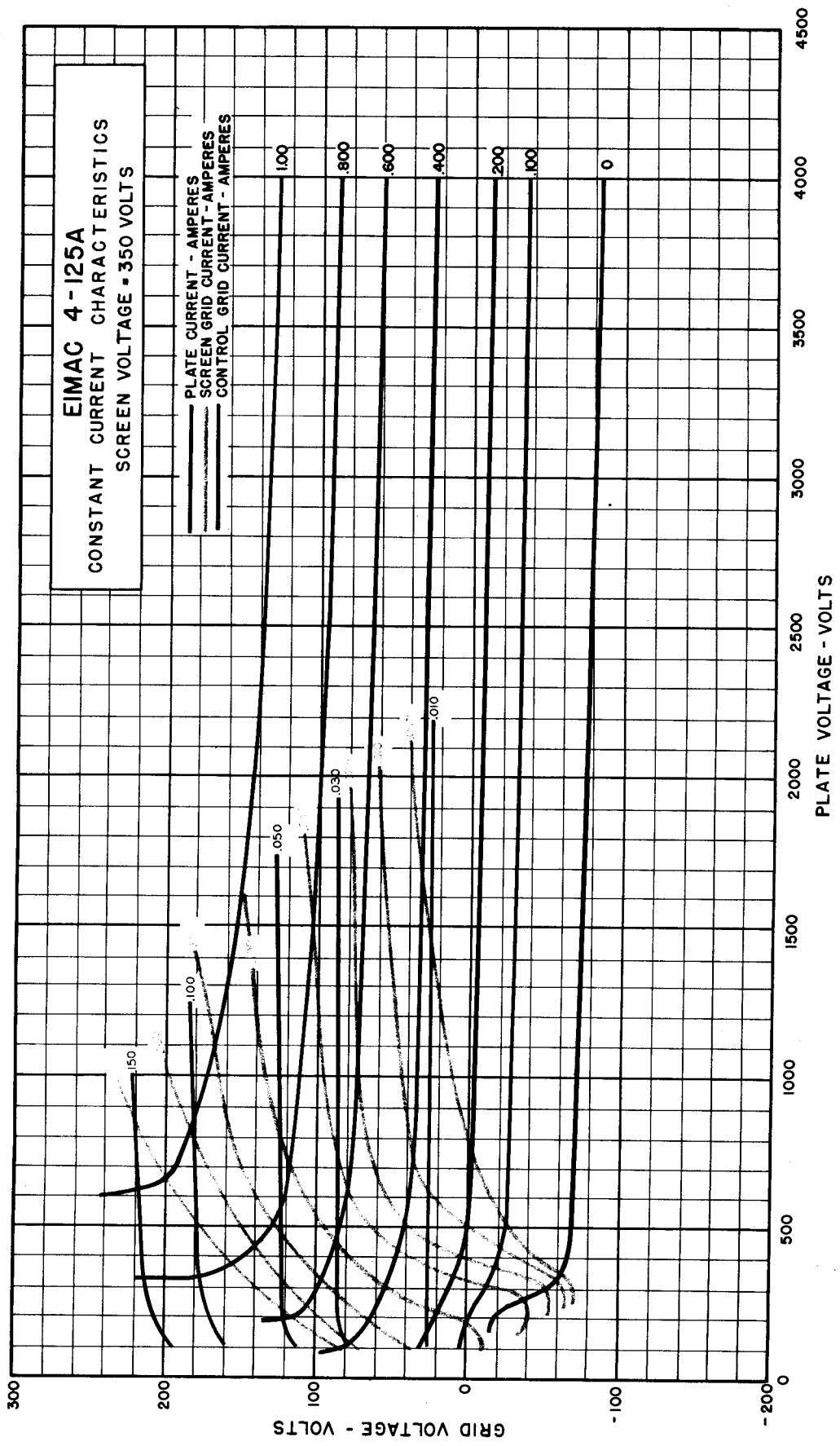


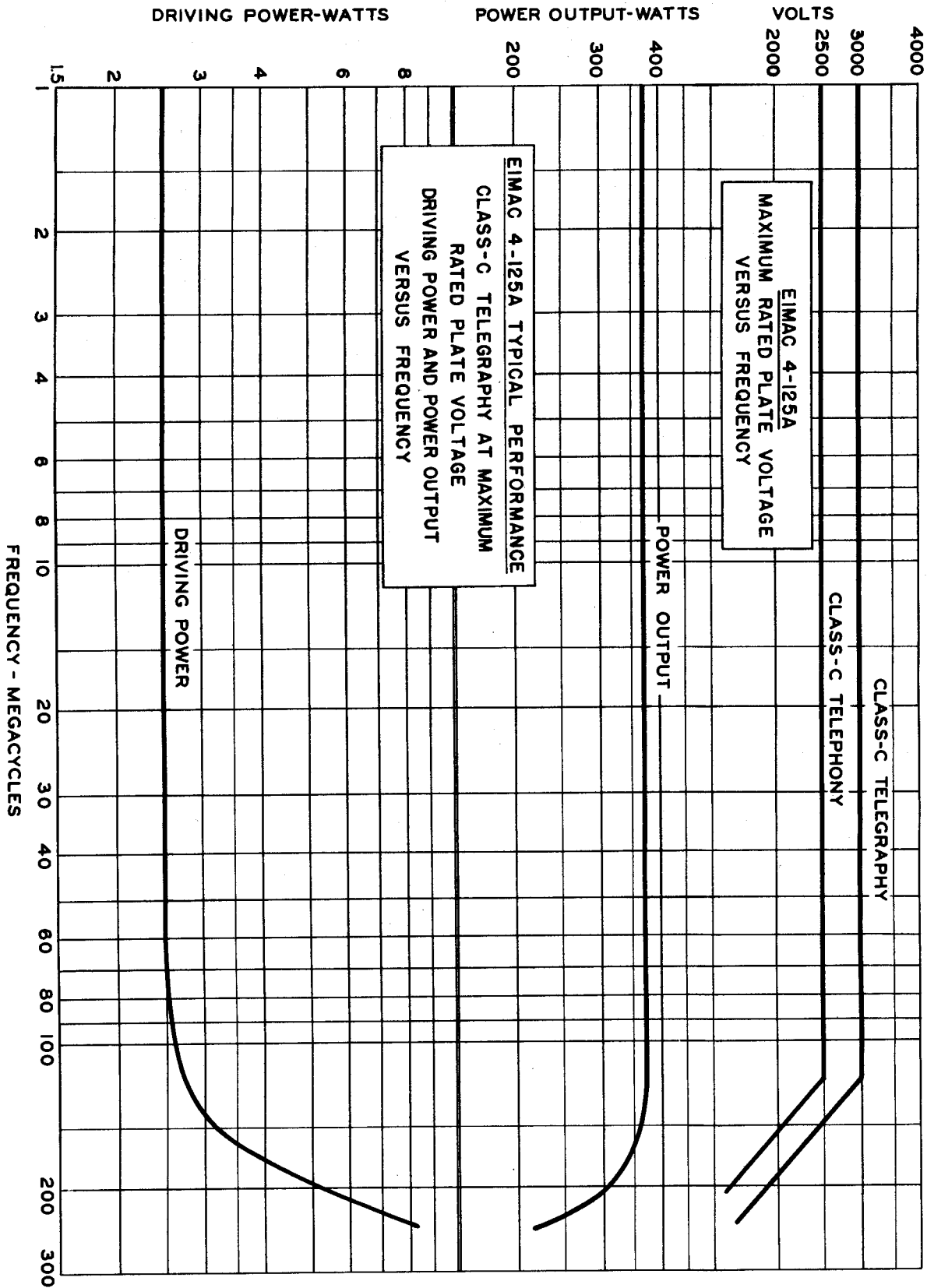
Typical high-level-modulated r-f amplifier circuit, with modulator and driver stages, 380 watts plate input.



Typical high-level-modulated r-f amplifier circuit, with modulator and driver stages, 750 watts plate input.

SEE PRECEDING PAGE FOR LIST OF COMPONENTS





TENTATIVE DATA

EITEL-McCULLOUGH, INC.
SAN BRUNO, CALIFORNIA

4X150A
POWER TETRODE

The Eimac 4X150A is an extremely compact external-anode tetrode intended for use as a radio-frequency amplifier or oscillator at frequencies well into the uhf region or as an amplifier in any service requiring a high-gain tube capable of delivering high-power output at low plate voltage. Although it is capable of withstanding relatively high plate voltages, the 4X150A operates well at plate voltages of 400 to 500 volts, making it particularly well suited for high-power mobile applications. The combination of a high ratio of transconductance to capacitance and a maximum plate dissipation capability of 150 watts makes the tube an excellent wide-band amplifier for video applications.

The 4X150A is based in a manner which allows it to be used with a ceramic loktal socket. The base pins are arranged for maximum convenience in using the tube with either coaxial or linear tank circuits at uhf. To provide maximum circuit isolation at these frequencies, the screen is terminated in a contact ring located between the anode and the base. For low-frequency applications, a base pin is provided for the screen termination.

A single 4X150A operating in a coaxial amplifier circuit will deliver as high as 75 watts useful output at 500 Mc.

GENERAL CHARACTERISTICS

ELECTRICAL

Cathode: Coated Unipotential	
Heater Voltage	6.0 volts
Heater Current	2.8 amperes
Minimum Heating Time	30 seconds
Screen-Grid Amplification Factor (Average)	4.5
Direct Interelectrode Capacitances (Average)	
Grid-Plate (without shielding)	0.02 $\mu\mu\text{f.}$
Input	14.1 $\mu\mu\text{f.}$
Output	4.7 $\mu\mu\text{f.}$
Transconductance ($i_b=250 \text{ ma.}$, $e_b=500 \text{ v.}$, $E_{c2}=250 \text{ v.}$)	12,000 μmhos

MECHANICAL

Cooling	Forced Air ¹
Mounting Position	Any
Maximum Overall Dimensions	
Length	2.50 inches
Diameter	1.75 inches
Maximum Seated Height	1.88 inches
Net Weight	5 ounces
Shipping Weight (average)	1.75 pounds

RADIO FREQUENCY POWER AMPLIFIER OR OSCILLATOR

Class-C Telephony or FM Telephony

MAXIMUM RATINGS (Frequencies up to 500 Mc.)

D-C PLATE VOLTAGE	1000 MAX. VOLTS
D-C SCREEN VOLTAGE	300 MAX. VOLTS
D-C GRID VOLTAGE	250 MAX. VOLTS
D-C PLATE CURRENT	250 MAX. MA.
PLATE DISSIPATION ¹	150 MAX. WATTS
SCREEN DISSIPATION	15 MAX. WATTS
GRID DISSIPATION	2 MAX. WATTS

TYPICAL OPERATION

Single tube, frequencies below 165 Mc.

D-C Plate Voltage	600	750	1000 volts
D-C Plate Current	200	200	200 ma.
D-C Screen Voltage	250	250	250 volts
D-C Screen Current	35	37	39 ma.
D-C Grid Voltage	-75	-80	-80 volts
D-C Grid Current	6	6.5	7 ma.
Peak R-F Grid Input Voltage (approx.)	87	96	99 volts
Driving Power (approx.)	.52	.63	.69 watt
Useful Power Output	85	110	148 watts

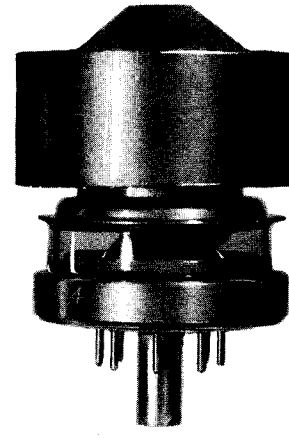
TYPICAL OPERATION

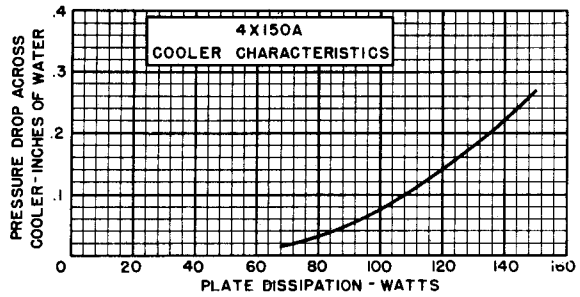
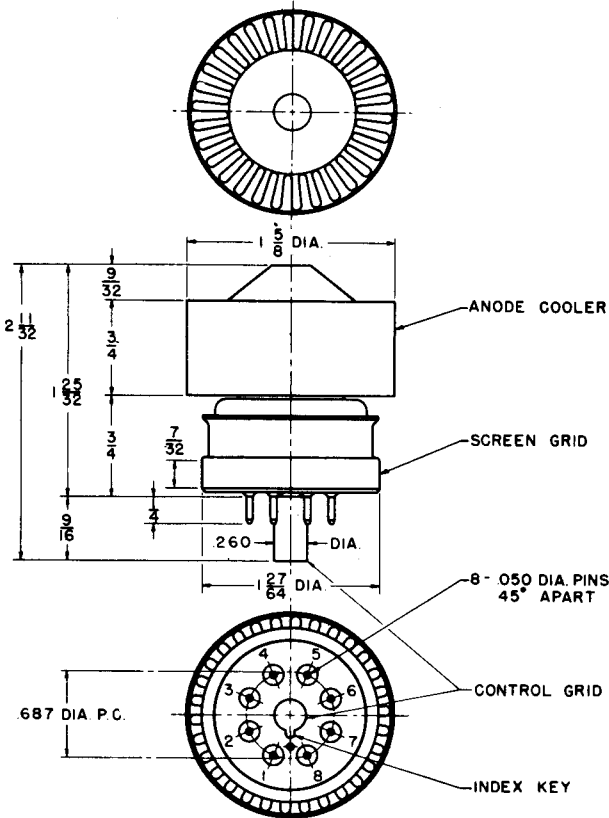
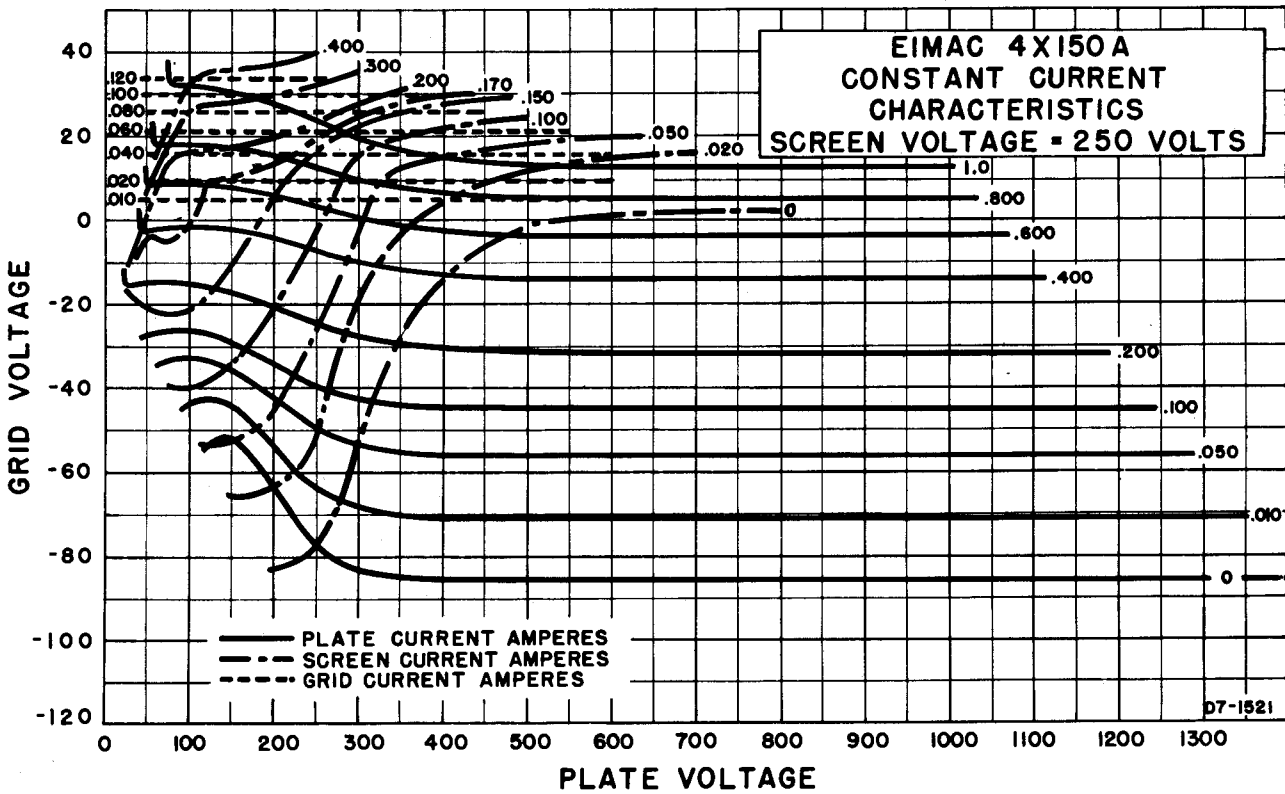
(Per tube, 500 Mc.)

D-C Plate Voltage	500	650	800 volts
D-C Plate Current	250	250	250 ma.
D-C Screen Voltage	240	235	230 volts
D-C Screen Current	9.5	7.5	5 ma.
D-C Grid Voltage	-56	-56	-56 volts
D-C Grid Current	6	6	6 ma.
Plate Dissipation (Approx.)	65	85	110 watts
Useful Power Output	52	68	74 watts
Overall Efficiency	42	41	37 percent

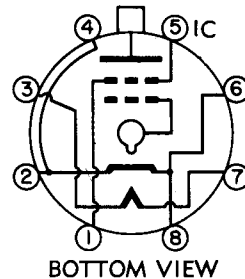
¹ At 150 watts plate dissipation a minimum flow of 5.6 cubic feet of air per minute must be passed through the plate cooler. The pressure drop across the cooler at this flow equals 0.26" of water. Free circulation of air around the base of the tube is required. Where shielding or

components restrict the natural circulation of air around the base or where abnormal circuit conditions can cause high lead current, forced air cooling of the base should be provided. In no case should the temperature of the base seals be allowed to exceed 150 degrees C. Indicates change from sheet dated 2-25-47





- | | |
|-----------|---|
| PIN NO. 1 | SCREEN GRID |
| " " 2 | CATHODE |
| " " 3 | HEATER |
| " " 4 | CATHODE |
| " " 5 | I.C. (DO NOT USE FOR EXTERNAL CONNECTION) |
| " " 6 | CATHODE |
| " " 7 | HEATER |
| " " 8 | CATHODE |
- CENTER PIN CONTROL GRID



**POWER TRODE
MODULATOR
OSCILLATOR
AMPLIFIER**



The Eimac 4-250A is a high-vacuum power tetrode having a maximum plate dissipation rating of 250 watts. It is intended for amplifier, oscillator and modulator service. Cooling of the 4-250A is accomplished by radiation from the plate, which operates at a visibly red temperature at maximum dissipation, and by forced air circulation through the base and around the envelope.

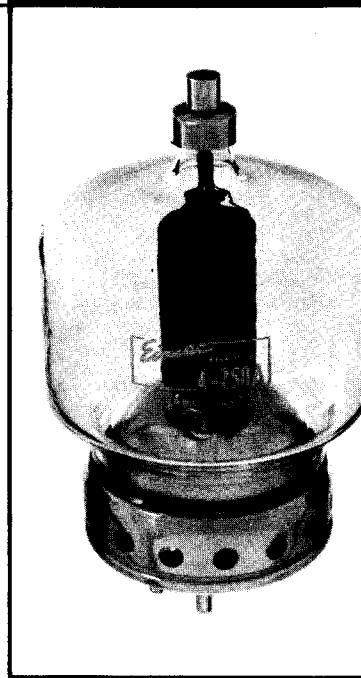
The low driving power required by the 4-250A, together with its low grid-plate capacitance and compact and rugged construction, allows considerable simplification of the associated circuits and the driver stage.

ELECTRICAL

Filament: Thoriated tungsten	
Voltage	5.0 volts
Current	14.5 amperes
Grid-Screen Amplification Factor (Average)	5.1
Direct Interelectrode Capacitances (Average)	
Grid-Plate (without shielding, base grounded)	0.12 $\mu\text{fd.}$
Input	12.7 $\mu\text{fd.}$
Output	4.5 $\mu\text{fd.}$
Transconductance ($i_b = 100 \text{ ma.}, E_b = 2500 \text{ v.}, E_{c2} = 500 \text{ v.}$)	4000 μmhos

MECHANICAL

Base	5-pin metal shell, No. 5008B
Basing	RMA type 5BK
Cooling	Radiation and forced air
Maximum Overall Dimensions:	
Length	6.38 inches
Diameter	3.56 inches
Net Weight	8.0 ounces
Shipping Weight (Average)	2.5 pounds



RADIO FREQUENCY POWER AMPLIFIER AND OSCILLATOR

Class-C FM or Telegraphy (Key-down conditions, 1 tube)

MAXIMUM RATINGS

D-C PLATE VOLTAGE ¹	4000 MAX. VOLTS
D-C SCREEN VOLTAGE	600 MAX. VOLTS
D-C GRID VOLTAGE	-500 MAX. VOLTS
D-C PLATE CURRENT	350 MAX. MA.
PLATE DISSIPATION	250 MAX. WATTS
SCREEN DISSIPATION	35 MAX. WATTS
GRID DISSIPATION	5 MAX. WATTS

▶ **TYPICAL OPERATION (Frequencies below 75 Mc.)**

D-C Plate Voltage	2500	3000	4000	volts
D-C Screen Voltage	500	500	500	volts
D-C Grid Voltage	-150	-180	-225	volts
D-C Plate Current	300	345	312	ma.
D-C Screen Current	60	60	45	ma.
D-C Grid Current	9	10	9	ma.
Screen Dissipation	30	30	22.5	watts
Grid Dissipation	0.35	0.8	0.46	watts
Peak R-F Grid Input Voltage (approx.)	220	265	303	volts
Driving Power (approx.) ²	1.70	2.6	2.46	watts
Plate Power Input	750	1035	1250	watts
Plate Dissipation	175	235	250	watts
Plate Power Output	575	800	1000	watts

▶ Indicates change from sheet dated 9-1-46.

HIGH-LEVEL-MODULATED RADIO FREQUENCY AMPLIFIER

Class-C Telephony (Carrier conditions unless otherwise specified, 1 tube)

MAXIMUM RATINGS

D-C PLATE VOLTAGE ¹	3200 MAX. VOLTS
D-C SCREEN VOLTAGE	600 MAX. VOLTS
D-C GRID VOLTAGE	-500 MAX. VOLTS
D-C PLATE CURRENT	275 MAX. MA.
PLATE DISSIPATION	165 MAX. WATTS
SCREEN DISSIPATION	35 MAX. WATTS
GRID DISSIPATION	5 MAX. WATTS

▶ **TYPICAL OPERATION (Frequencies below 75 Mc.)**

D-C Plate Voltage	2500	3000	volts
D-C Screen Voltage	400	400	volts
D-C Grid Voltage	-200	-310	volts
D-C Plate Current	200	225	ma.
D-C Screen Current	30	30	ma.
D-C Grid Current	9	9	ma.
Screen Dissipation	12	12	watts
Grid Dissipation	1.8	2.7	watts
Peak R-F Grid Input Voltage (approx.)	255	365	volts
Driving Power (approx.)	2.2	3.2	watts
Plate Power Input	500	675	watts
Plate Dissipation	125	165	watts
Plate Power Output	375	510	watts

¹ Above 75 Mc. the maximum plate voltage rating depends upon frequency, see page six.

▶ ² Driving power increases above 40 Mc. See Page Six.

AUDIO FREQUENCY POWER AMPLIFIER AND MODULATOR

Class-AB₂ (Sinusoidal wave, two tubes unless otherwise specified)

MAXIMUM RATINGS

D-C PLATE VOLTAGE	4000 MAX. VOLTS
D-C SCREEN VOLTAGE	600 MAX. VOLTS
MAX-SIGNAL D-C PLATE CURRENT, PER TUBE	350 MAX. MA.
PLATE DISSIPATION, PER TUBE	250 MAX. WATTS
SCREEN DISSIPATION, PER TUBE	35 MAX. WATTS

TYPICAL OPERATION

D-C Plate Voltage	1500	2000	2500	3000	volts
D-C Screen Voltage	500	500	500	500	volts
D-C Grid Voltage ²	-64	-88	-90	-93	volts
Zero-Signal D-C Plate Current	120	110	120	120	ma.
Max-Signal D-C Plate Current	400	405	430	417	ma.
Zero-Signal D-C Screen Current	-0.4	-0.3	-0.3	-0.2	ma.
Max-Signal D-C Screen Current	23	22	13	10.5	ma.
Effective Load, Plate-to-Plate	6250	9170	11,400	15,000	ohms
Peak A-F Grid Input Voltage (per tube)	64	88	90	93	volts
Driving Power	0	0	0	0	watt
Max-Signal Plate Dissipation (per tube)	145	175	225	250	watts
Max-Signal Plate Power Output	310	460	625	750	watts
Total Harmonic Distortion	4	2.5	2	2.5	per cent

² The effective grid-circuit resistance must not exceed 250,000 ohms.

AUDIO FREQUENCY POWER AMPLIFIER AND MODULATOR

Class-AB₂ (Sinusoidal wave, two tubes unless otherwise specified)

MAXIMUM RATINGS

D-C PLATE VOLTAGE	4000 MAX. VOLTS
D-C SCREEN VOLTAGE	600 MAX. VOLTS
MAX-SIGNAL D-C PLATE CURRENT, PER TUBE	350 MAX. MA.
PLATE DISSIPATION, PER TUBE	250 MAX. WATTS
SCREEN DISSIPATION, PER TUBE	35 MAX. WATTS

TYPICAL OPERATION

D-C Plate Voltage	1500	2000	2500	3000	volts
D-C Screen Voltage	300	300	300	300	volts
D-C Grid Voltage	-48	-48	-51	-53	volts
Zero-Signal D-C Plate Current	100	120	120	125	ma.
Max-Signal D-C Plate Current	485	510	500	473	ma.
Zero-Signal D-C Screen Current	0	0	0	0	ma.
Max-Signal D-C Screen Current	34	26	23	33	ma.
Effective Load, Plate-to-Plate	5400	8000	10,900	16,000	ohms
Peak A-F Grid Input Voltage (per tube)	96	99	100	99	volts
Max-Signal Avg. Driving Power (approx.)	2.1	2.3	2.2	1.9	watts
Max-Signal Peak Driving Power	4.7	5.5	4.8	4.6	watts
Max-Signal Plate Dissipation (per tube)	150	185	205	190	watts
Max-Signal Plate Power Output	428	650	840	1040	watts
Total Harmonic Distortion	3	4	4	4.5	per cent

APPLICATION

MECHANICAL

Mounting—The 4-250A must be mounted vertically, base up or base down. The socket must provide clearance for the glass tip-off which extends through the center of the base. The metal base shell should be grounded by means of suitable spring fingers. A flexible connecting strap should be provided between the plate terminal and the external plate circuit. The socket must not apply excessive lateral pressure against the base pins. The tube must be protected from severe vibration and shock.

Adequate cooling must be provided for the seals and envelope of the 4-250A. Forced-air circulation in the amount of five cubic feet per minute through the base of the tube is required. This air should be applied simultaneously with filament power. The temperature of the plate seal, as measured on the top of the plate cap, should not exceed 170° C in continuous-service applications.

A relatively slow movement of air past the tube is sufficient to prevent a plate seal temperature in excess of maximum at frequencies below 30 Mc. At frequencies above 30 Mc., radio-frequency losses in the leads and envelope contribute to seal and envelope heating, and special attention should be given to bulb and plate seal cooling. A small fan or centrifugal blower directed toward the upper portion of the envelope will usually provide sufficient circulation for cooling at frequencies above 30 Mc., however.

In intermittent-service applications where the "on" time does not exceed a total of five minutes in any ten-minute period, plate seal temperatures as high as 220° C are permissible. When the ambient temperature does not exceed 30° C it will not ordinarily be necessary to pro-

vide forced cooling of the bulb and plate seal to hold the temperature below this maximum at frequencies below 30 Mc., provided that a heat-radiating plate connector is used, and the tube is so located that normal circulation of air past the envelope is not impeded.

ELECTRICAL

Filament Voltage—The filament voltage, as measured directly at the filament pins, should be between 4.75 and 5.25 volts.

Bias Voltage—D-c bias voltage for the 4-250A should not exceed 500 volts. If grid-leak bias is used, suitable protective means must be provided to prevent excessive plate or screen dissipation in the event of loss of excitation.

Grid Dissipation—Grid dissipation for the 4-250A should not be allowed to exceed five watts. Grid dissipation may be calculated from the following expression:

$$P_g = e_{cmp} I_c$$

where P_g = Grid dissipation,
 e_{cmp} = Peak positive grid voltage, and
 I_c = D-c grid current.

e_{cmp} may be measured by means of a suitable peak voltmeter connected between filament and grid³.

Screen Voltage—The d-c screen voltage for the 4-250A should not exceed 600 volts.

Screen Dissipation—The power dissipated by the screen of the 4-250A must not exceed 35 watts. Screen dissipa-

³ For suitable peak v.t.v.m. circuits see, for instance, "Vacuum Tube Ratings," Eimac News, January, 1945. This article is available in reprint form on request.

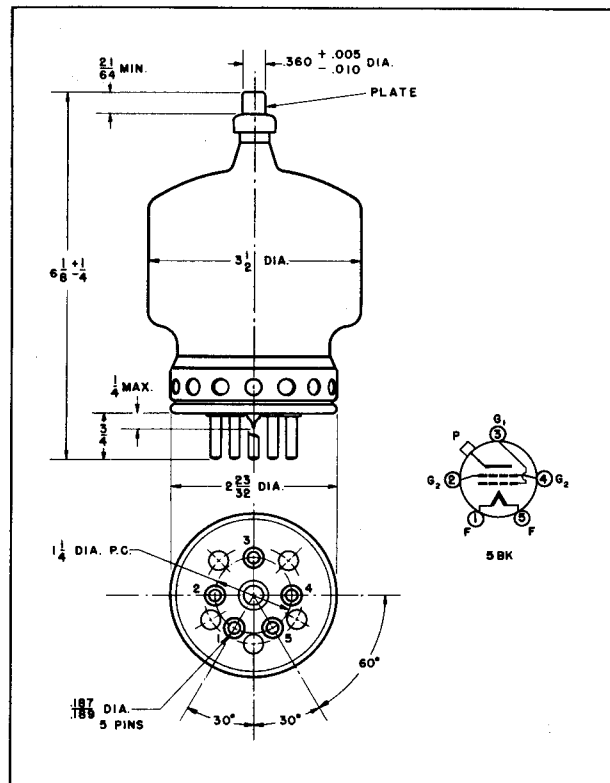
Indicates change from sheet dated 9-1-46.

Grid bias voltage for class-AB₁ service may be obtained from batteries or from a small fixed-bias supply. When a bias supply is used, the d-c resistance of the bias source should not exceed 250 ohms. Under class-AB₁ conditions the effective grid-circuit resistance should not exceed 250,000 ohms.

The peak driving power figures given in the class-AB₁ tabulated data are included to make possible an accurate determination of the required driver output power. The driver amplifier must be capable of supplying the peak driving power without distortion. The driver stage should, therefore, be capable of providing an undistorted average output equal to half the peak driving power requirement. A small amount of additional driver output should be provided to allow for losses in the coupling transformer.

In some cases the maximum-signal plate dissipation shown under "Typical Operation" is less than the maximum rated plate dissipation of the 4-250A. In these cases, the plate dissipation reaches a maximum value, equal to the maximum rating, at a point somewhat below maximum-signal conditions.

The power output figures given in the tabulated data refer to the total power output from the amplifier tubes. The useful power output will be from 5 to 15 per cent less than the figures shown, due to losses in the output transformer.



COMPONENTS FOR TYPICAL CIRCUITS

$L_{p1} - C_{p1}$ — Tank circuit appropriate for operating frequency;
 $Q = 12$. Capacitor plate spacing = .200".

$L_{p2} - C_{p2}$ — Tank circuit appropriate for operating frequency;
 $Q = 12$. Capacitor plate spacing = .200".

$L_{p3} - C_{p3}$ — Tank circuit appropriate for operating frequency;
 $Q = 12$. Capacitor plate spacing = .375".

$L_{g1} - C_{g1}$ — Tuned circuit appropriate for operating frequency.

$L_{g2} - C_{g2}$ — Tuned circuit appropriate for operating frequency.

C_1 — .002-ufd., 500-v. mica

C_2 — .002-ufd., 5000-v. mica

C_3 — .001-ufd., 2500-v. mica

C_4 — .1-ufd., 1000-v. paper

C_5 — .1-ufd., 600-v. paper

C_6 — .5-ufd., 600-v. paper

C_7 — .03-ufd., 600-v. paper

C_8 — .1-ufd., 1000-v. paper

C_9 — .25-ufd., 1000-v. paper

R_1 — 86,700 ohms, adjustable 100,000 ohms, 100 watts

R_2 — 250,000 ohms, 1/2 watt

R_4 — 15,000 ohms, 5 watts

R_5 — 25,000 ohms, 2 watts

R_6 — 2,500 ohms, 5 watts

R_7 — 35,000 ohms, 160 watts

R_8 — 250,000 ohms, 1/2 watt

R_9 — 200,000 ohms, 2 watts

R_{10} — 500 ohms, 1/2 watt

R_{11} — 1 megohm, 1/2 watt

R_{12} — 100,000 ohms, 1 watt

R_{13} — 200,000 ohms, 1/2 watt

R_{14} — 10,000 ohms, 1/2 watt

R_{15} — 50 ohms, 10 watts

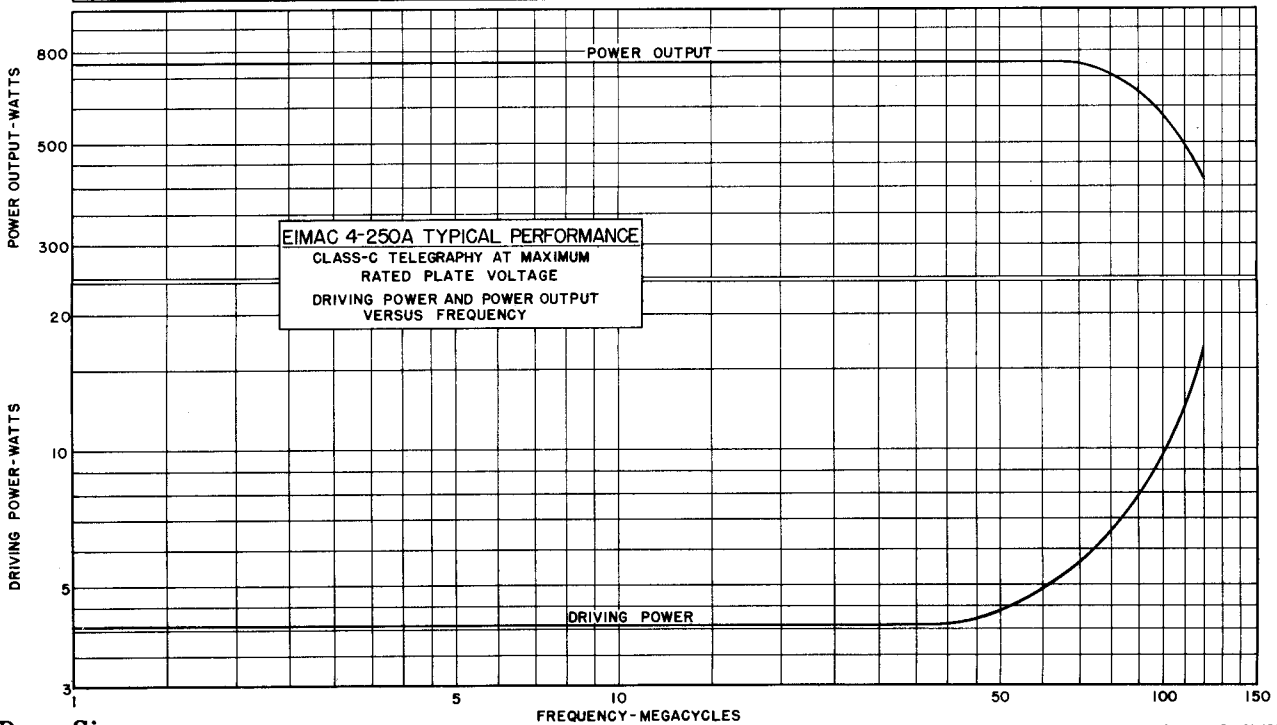
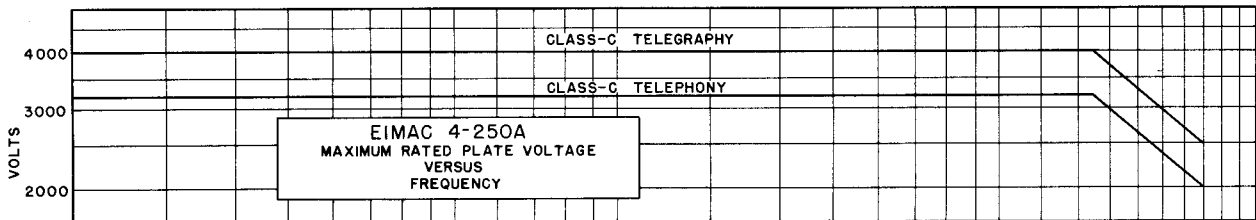
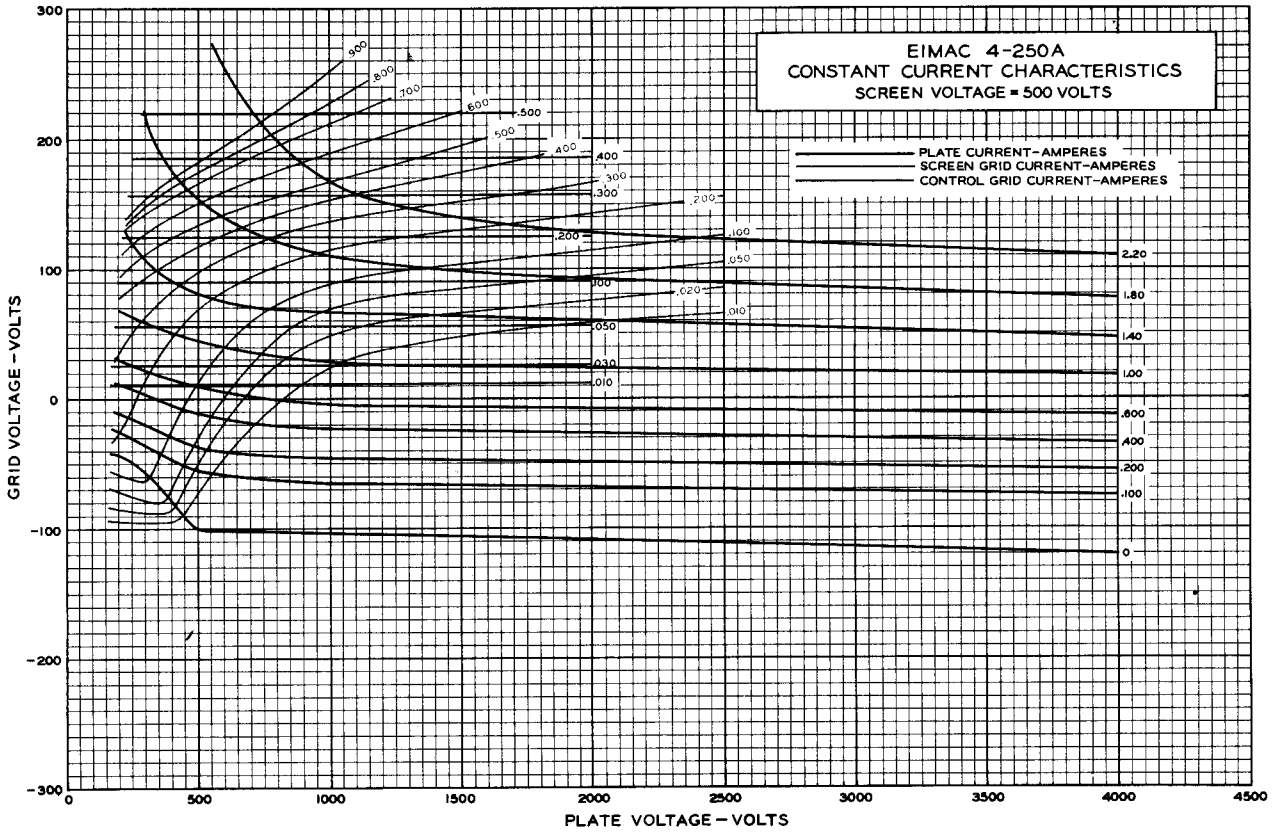
R_{16} — 100,000 ohms, 100 watts

RFC_1 — 2.5-mhy., 125-ma. r-f choke

RFC_2 — 1-mhy., 500-ma. r-f choke

T_1 — 350-watt modulation transformer; ratio pri. to sec. approx. 1.5 : 1; pri. impedance 20,300 ohms, sec. impedance 13,300 ohms.

T_2 — 600-watt modulation transformer; ratio pri. to sec. approx. 1.8 : 1; pri. impedance 11,400 ohms, sec. impedance 6,250 ohms.



Eimac
EITEL-McCULLOUGH, INC.
 SAN BRUNO, CALIFORNIA

4-400A

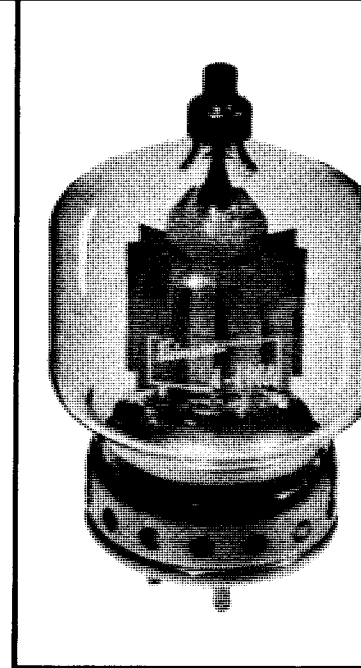
POWER TETRODE

RF

AMPLIFIER

The Eimac 4-400A is a high vacuum power tetrode having a maximum plate dissipation rating of 400 watts. It is intended for power amplifier service in 1 kw FM broadcast transmitters on the 88-108 Mc. band. Two tubes operating in this service will deliver a useful power output in excess of 1000 watts while operating under conservative conditions and with low driving-power requirements. The 4-400A is of compact and rugged construction and its low grid-plate capacitance coupled with its low driving power requirement allows considerable simplification of the associated circuit and driver stage.

Cooling of the 4-400A is accomplished by radiation from the plate and with circulation of forced-air through the base around the envelope and over the plate seal. The problem of cooling is greatly simplified by using an Eimac Air-System Socket and its accompanying glass chimney. This system is designed to efficiently maintain the correct balance of cooling air between the component parts of the tube.*†



GENERAL CHARACTERISTICS

ELECTRICAL

Filament: Thoriated tungsten	
Voltage - - - - -	5.0 volts
Current - - - - -	14.5 amperes
Grid-Screen Amplification Factor (Average) - - - - -	5.1
Direct Interelectrode Capacitances (Average)	
Grid-Plate (without shielding, base grounded) -	0.12 μmfd
Input - - - - -	12.5 μmfd
Output - - - - -	4.7 μmfd
Transconductance ($i_b=100 \text{ ma.}, E_b=2500\text{V.}, E_{c2}=500\text{V.}$) -	4,000 μmhos

MECHANICAL

Base - - - - -	5-pin metal shell, No. 5008B
Basing - - - - -	RMA type 5BK
*Cooling - - - - -	Radiation and forced air.

When the Eimac Air-System Socket 4-400A/4000 is used, 14 cu. ft. of air per minute at 1/4 inch pressure as measured in the socket, is required per tube.

Maximum Overall Dimensions:

	Tube Only	Tube with Socket, Chimney and HR-6 Plate Connector
Length - - - - -	6.38 inches	8.00 inches
Diameter - - - - -	3.56 inches	5.44 inches
Net Weight - - - - -	9. ounces	
Shipping Weight (Avg.) - - - - -	2.5 pounds	

RATINGS

RADIO-FREQUENCY POWER AMPLIFIER

Class-C FM Telephony or Telegraphy(Key-down conditions, 1 tube)

MAXIMUM RATINGS (Frequencies up to 110-Mc.)

D-C PLATE VOLTAGE - - - - -	4000 MAX VOLTS
D-C PLATE CURRENT - - - - -	350 MAX. MA.
D-C SCREEN VOLTAGE - - - - -	600 MAX. VOLTS
D-C GRID VOLTAGE - - - - -	-500 MAX. VOLTS
PLATE DISSIPATION - - - - -	400 MAX. WATTS
SCREEN DISSIPATION - - - - -	35 MAX. WATTS
GRID DISSIPATION - - - - -	5 MAX. WATTS

TYPICAL OPERATION (110-Mc., Two Tubes)

D-C PLATE VOLTAGE - - - - -	3500	4000	VOLTS
D-C PLATE CURRENT - - - - -	500	540	MA.
D-C SCREEN VOLTAGE - - - - -	300	300	VOLTS
D-C SCREEN CURRENT - - - - -	40	45	MA.
D-C GRID VOLTAGE - - - - -	-170	-170	VOLTS
D-C GRID CURRENT - - - - -	20	20	MA.
DRIVING POWER (APPROX.) - - - - -	20	20	WATTS
PLATE POWER OUTPUT (APPROX.) - - - - -	1300	1600	WATTS
USEFUL POWER OUTPUT - - - - -	1160	1440	WATTS

*Guarantee applies only when the 4-400A is used as specified with adequate air in the 4-400A/4000 Air-System Socket or equivalent.

†The Radio-frequency losses in a vacuum tube increase with frequency (Effective 3-1-48) Copyright 1948 by Eitel-McCullough, Inc.

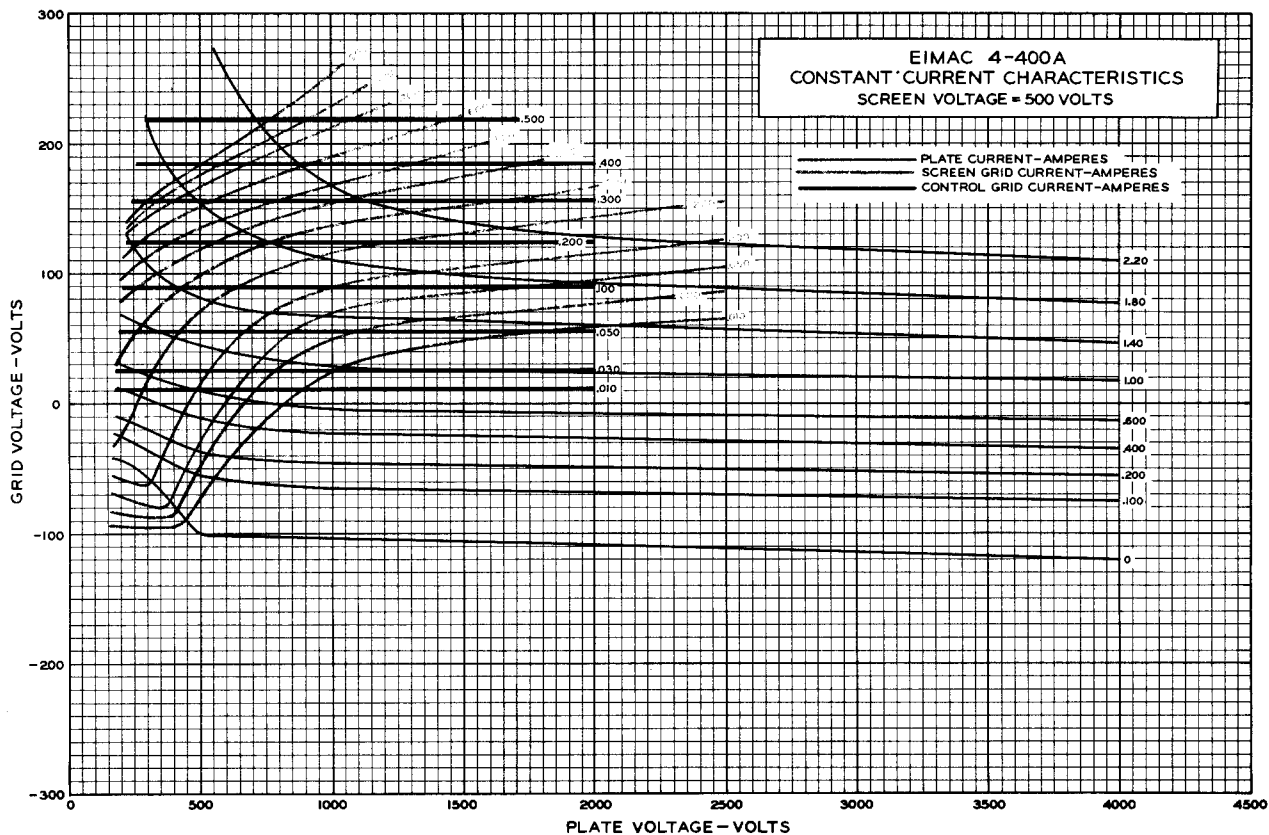
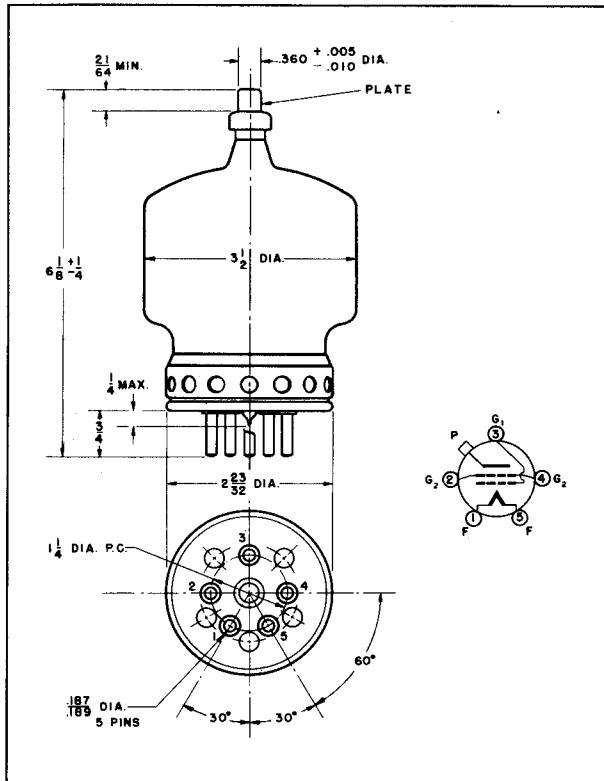
and at 110-Mc become an appreciable source of heat. Since these losses occur mainly in the leads and the glass surrounding these leads, adequate cooling must be provided to prevent the deterioration of the envelope at the point where the leads go through the glass.

APPLICATION

Conventional capacitance-shortened quarter wave linear grid and plate tank circuits may be used at 110-Mc. The circuit elements should be silver-plated for best results at this frequency. The 4-400A screen lead inductance is minimized by two screen leads brought through the base of the tube. In order to take advantage of this design feature the screen lead terminals on a socket must be strapped together and all R-F connections must be made to the center of this strap to provide balanced current distribution to ground.

With adequate shielding on frequencies above 30-Mc. there will still be some feed-back present, which is due principally to screen-lead inductance effects. This may be neutralized by introducing inphase voltage from the plate circuit back into the grid circuit of the same tube. Ordinarily a small metal tab 1 inch by 1½ inches connected to the grid terminal and located parallel to the plate outside of the cooling chimney will suffice for neutralization. Means should be provided for adjusting the distance between the tab and the plate until the correct amount of neutralization is obtained. Trimming the tab to the correct size will also accomplish the same result.

An alternate neutralization method would be to series-tune each screen to ground by means of a small variable capacitor. The leads to each capacitor and to ground should be kept as short as possible and the lead from the screen strap to the capacitor should be brought from the center of the screen strap as previously mentioned.



Eimac
EITEL-McCULLOUGH, INC.
SAN BRUNO, CALIFORNIA

4-400A/4000

AIR-SYSTEM
SOCKET

In order to simplify the cooling problem of the Eimac 4-400A Tetrode and assure adequate air-flow to the various seals, the Eimac Air-System Socket was developed. This system is so designed that the correct amount of cooling air is distributed to the various seals in the right proportion.

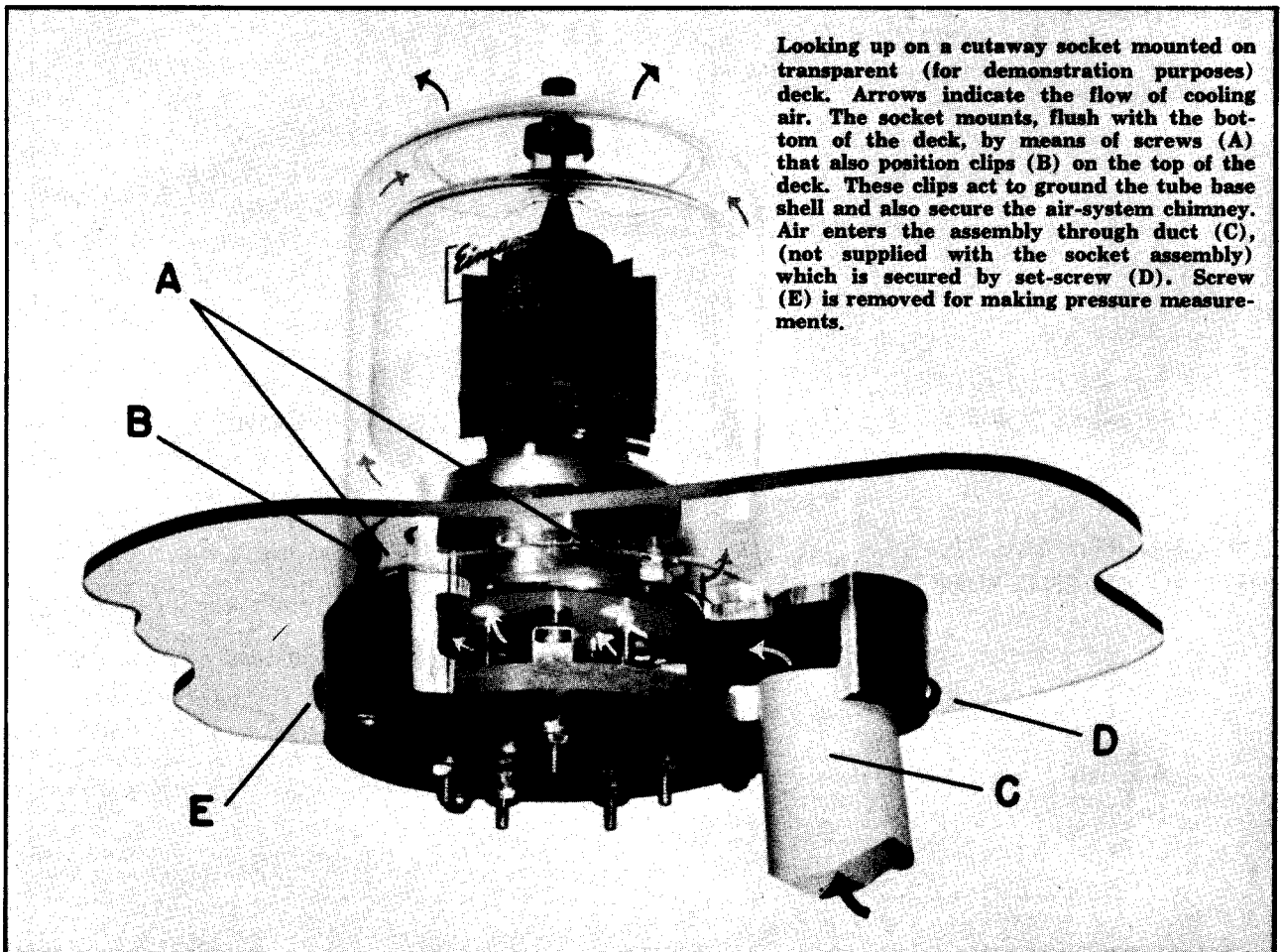
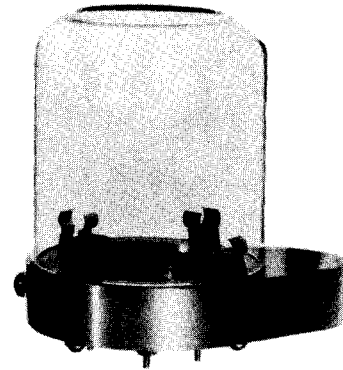
The system consists of two parts: a specially designed cooling socket and a glass chimney that fits over the tube envelope. The air is introduced into the system at a single port in the socket and then circulates through and around the base, cooling the base pins and seals. It then flows over the envelope, the plate seal and finally exhausts at the chimney top.

A 1/4 inch diameter hole tapped 28 threads per inch is provided in the socket for the purpose of reading the static air pressure. Under full operating conditions at 110-Mc, with an ambient temperature of 25 degrees Centigrade, each tube requires cooling air at the rate of 14. cu. ft. per minute into the system with a static pressure of 0.25 inches of water as measured at the socket measuring port.

In selecting a blower, allowance should be made for pressure drop occurring in the duct and manifold between the blower and the socket. This drop will, of course, depend on the length and diameter of the air duct and manifold between the blower and the socket.

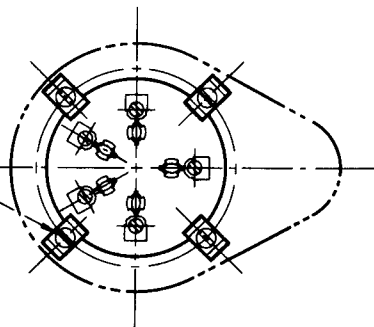
These air requirements are readily furnished by a small centrifugal blower of the dual type, with the output of each blower going to a socket. The single motor of this type of blower need require only 65 watts of power while furnishing 14 cu. ft. per minute air-flow at 1/2 inch pressure from each of two blowers.

The 4-400A/4000 Air-System Socket can also be used without modification for the Eimac 4-250A and 4-125A Tetrodes.



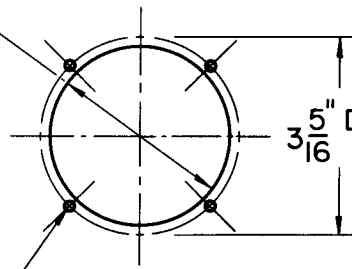
Looking up on a cutaway socket mounted on transparent (for demonstration purposes) deck. Arrows indicate the flow of cooling air. The socket mounts, flush with the bottom of the deck, by means of screws (A) that also position clips (B) on the top of the deck. These clips act to ground the tube base shell and also secure the air-system chimney. Air enters the assembly through duct (C), (not supplied with the socket assembly) which is secured by set-screw (D). Screw (E) is removed for making pressure measurements.

10-32 MACHINE
 SCREWS MOUNT
 SPRING CLIPS AND
 SOCKET ON CHASSIS



TOP VIEW

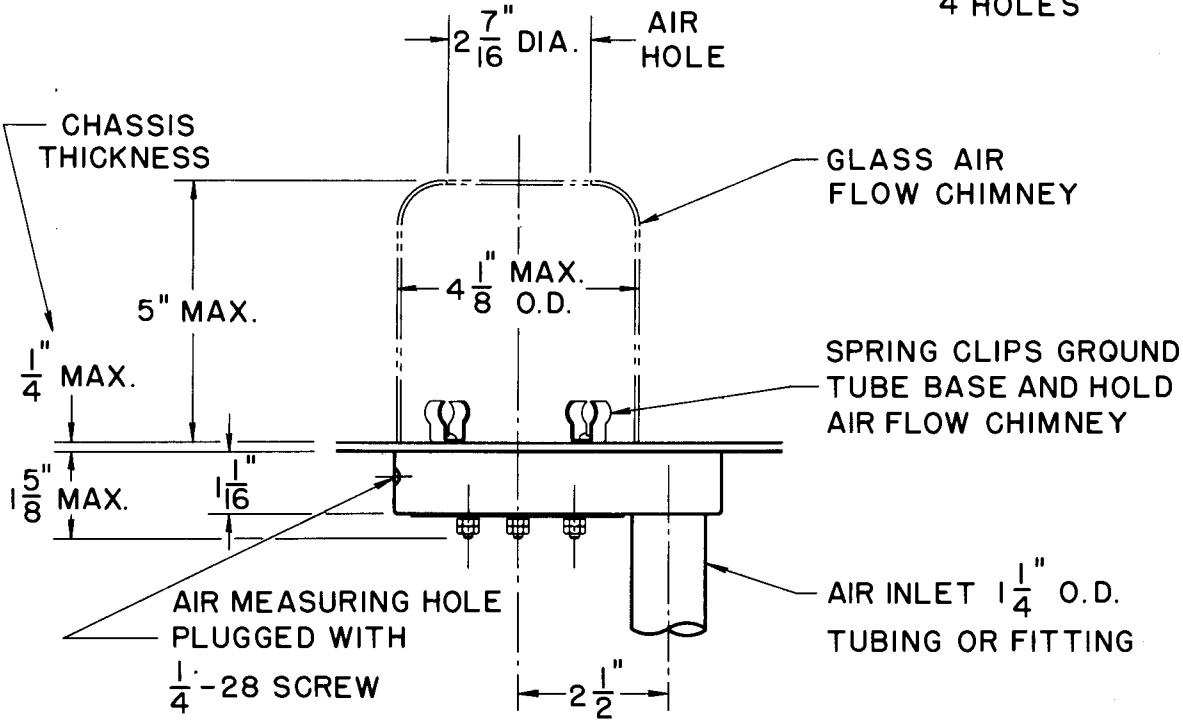
3" DIA. HOLE THRU
 CHASSIS



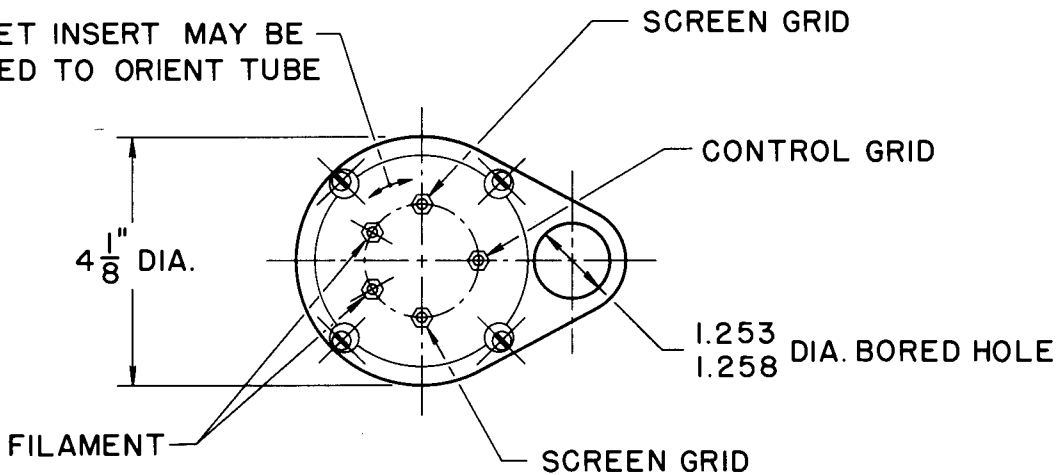
3 5/16" DIA.
 B.C.

CHASSIS
 DRILLING

#9 (.196) DRILL THRU
 4 HOLES



SOCKET INSERT MAY BE
 TURNED TO ORIENT TUBE



TENTATIVE DATA

4X500A

POWER TETRODE

EITEL-McCULLOUGH, INC.

SAN BRUNO, CALIFORNIA



The Eimac 4X500A is an external-anode tetrode having a maximum plate dissipation rating of 500 watts. Its small size and low-inductance leads permit efficient operation at relatively large outputs well into the VHF region. The screen grid is mounted on a disc which terminates in a connector ring located between grid and plate, thus making possible effective shielding between the grid and plate circuits. The grid terminal is located at the center of the glass base, to facilitate single-tube operation in coaxial circuits.

The combination of low grid-plate capacitance, low screen-lead inductance and functionally located terminals contributes to the stable operation of the 4X500A at high frequencies, making neutralization unnecessary in most cases and greatly simplifying it in others.

GENERAL CHARACTERISTICS

ELECTRICAL

Filament: Thoriated Tungsten	
Voltage	5.0 volts
Current	13.5 amperes
Screen Grid Amplification Factor (Average)	6.2
Direct Interelectrode Capacitances (Average)	
Grid-Plate	0.05 $\mu\mu\text{fd}$
Input	12.8 $\mu\mu\text{fd}$
Output	5.6 $\mu\mu\text{fd}$
Transconductance ($i_b=200 \text{ ma.}$, $e_b=2500 \text{ v.}$, $E_{c2}=500 \text{ v.}$)	5200 μhmhos

MECHANICAL

Maximum Overall Dimensions:	
Length	4.375 inches
Diameter	2.563 inches
Net Weight	1.17 pounds
Shipping Weight (Average)	6 pounds
Mounting Position:	Vertical, Base up or down

RADIO FREQUENCY POWER AMPLIFIER AND OSCILLATOR

Class-C FM or Telegraphy (Key-down conditions, 1 tube)

MAXIMUM RATINGS (Frequencies up to 120 Mc.)

D-C PLATE VOLTAGE	4000 MAX. VOLTS
D-C SCREEN VOLTAGE	500 MAX. VOLTS
D-C GRID VOLTAGE	-500 MAX. VOLTS
D-C PLATE CURRENT	350 MAX. MA.
PLATE DISSIPATION ¹	500 MAX. WATTS
SCREEN DISSIPATION	30 MAX. WATTS
GRID DISSIPATION	10 MAX. WATTS

TYPICAL OPERATION

(Two-Tubes, push-pull amplifier, 110 Mc.)

D-C Plate Voltage	2500	3000	volts
D-C Plate Current	690	600	ma.
D-C Screen Voltage	500	400	volts
D-C Grid Voltage	100	95	ma.
D-C Screen Current	-250	-200	volts
D-C Grid Current	40	45	ma.
Driving Power (approx.)	20	18	watts
Plate Power Output (approx.)	1300	1320	watts
Useful Power Output	1150	1180	watts

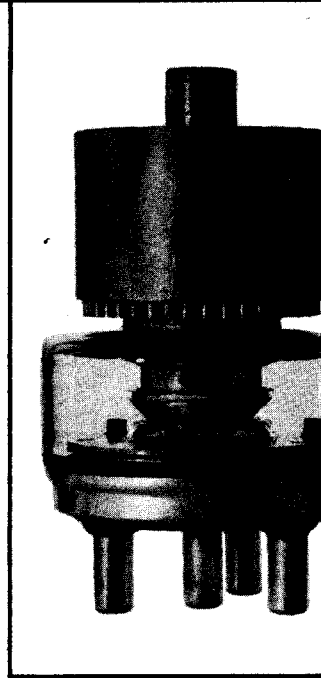
TYPICAL OPERATION

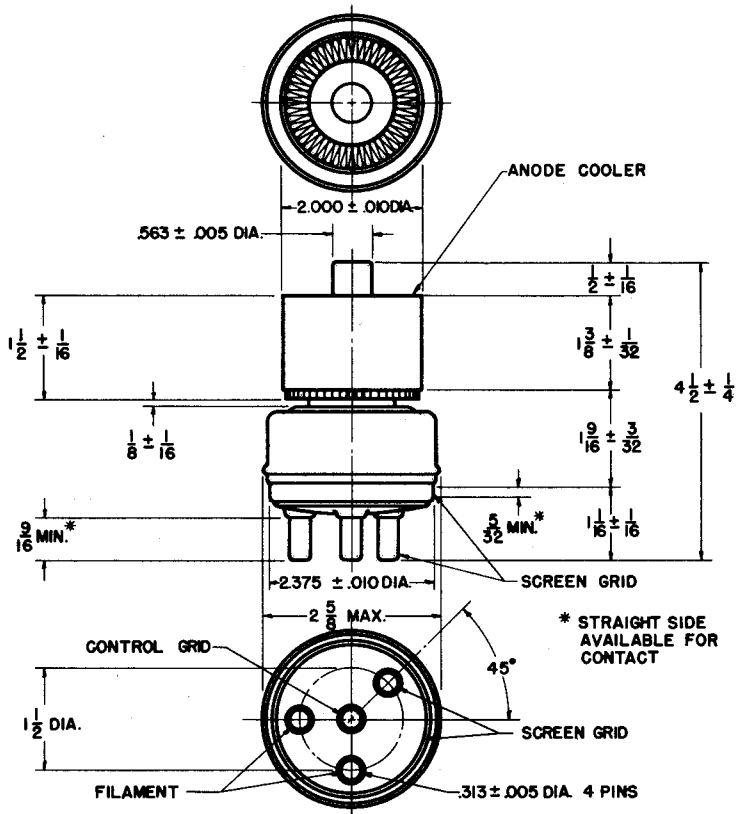
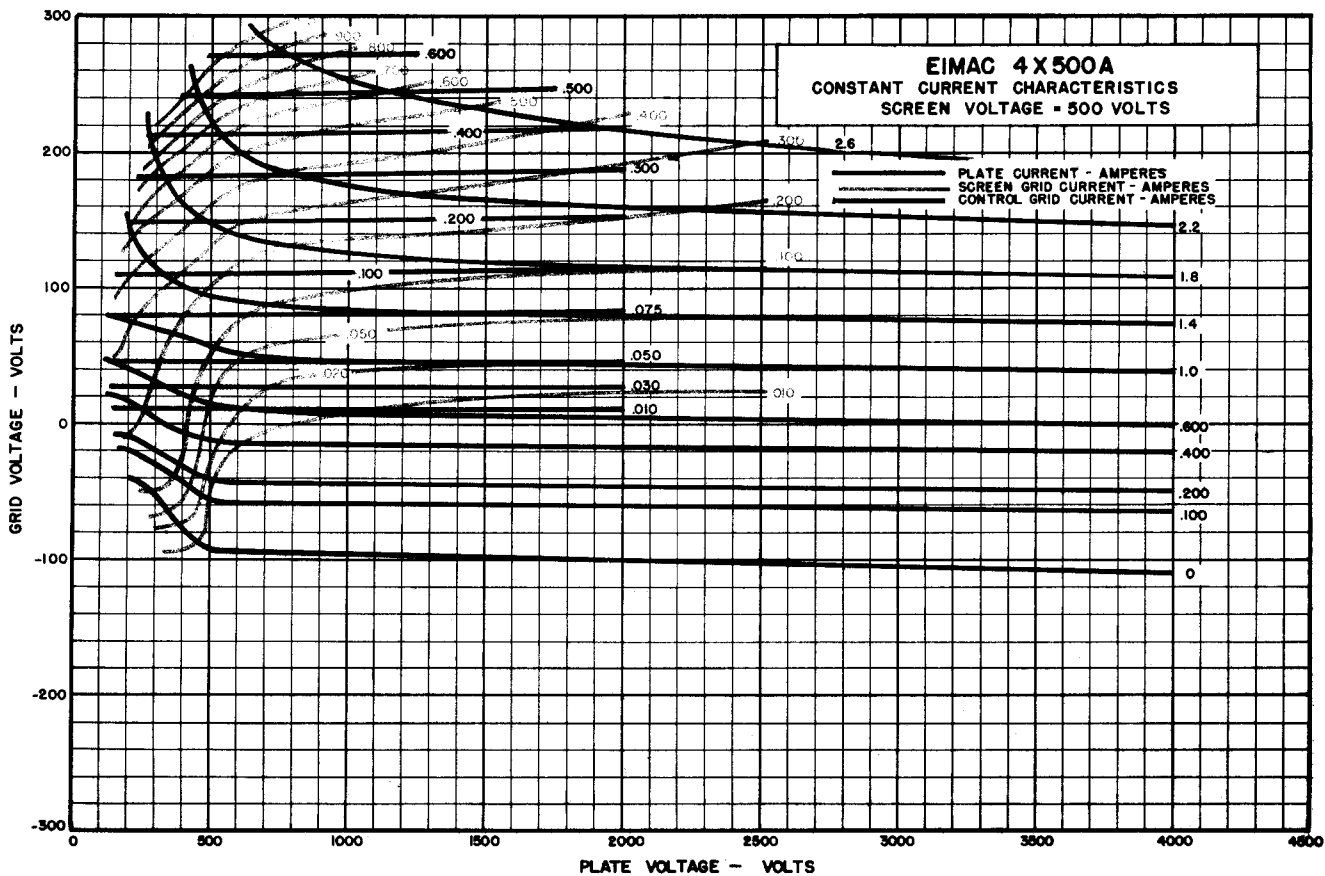
(Four tubes, push-pull-parallel amplifier, 110 Mc.)

D-C Plate Voltage	4000	volts
D-C Plate Current	1.25	amp.
D-C Screen Voltage	500	volts
D-C Screen Current	160	ma.
D-C Grid Voltage	-250	volts
D-C Grid Current	70	ma.
Driving Power (approx.)	50	watts
Plate Power Output (approx.)	3900	watts
Useful Power Output	3500	watts

¹ A minimum flow of 22 cubic feet of air per minute must be passed through the plate cooler. The pressure drop across the cooler at this flow equals 1.4 inches of water. The glass at the base of the tube must be cooled by passing air at a minimum velocity of 1000 feet per minute

across the base. Sufficient air for this purpose will ordinarily be obtained from a small fan or low-pressure centrifugal blower. Cooling air must be supplied to both the plate cooler and base before applying filament voltage.





TENTATIVE DATA

EITEL-McCULLOUGH, INC.
SAN BRUNO, CALIFORNIA

4-1000A
SUPERSEDES TYPE 4-750
POWER TETRODE
MODULATOR
OSCILLATOR
AMPLIFIER

The Eimac 4-1000A is a power tetrode having a maximum plate dissipation of 1000 watts. Cooling of the 4-1000A is accomplished by radiation from the plate and by forced-air circulation around the glass envelope and through the compact low-inductance base structure. At maximum dissipation the plate operates at a red-orange color.

The 4-1000A permits a single-stage gain of more than 230 times up to approximately 30 Mc., or from 14 watts driving power to over 3 KW power output per tube. This output can be obtained at frequencies well into the VHF range. At 100 Mc. a pair of 4-1000A's will deliver a useful power output of more than 4000 watts.

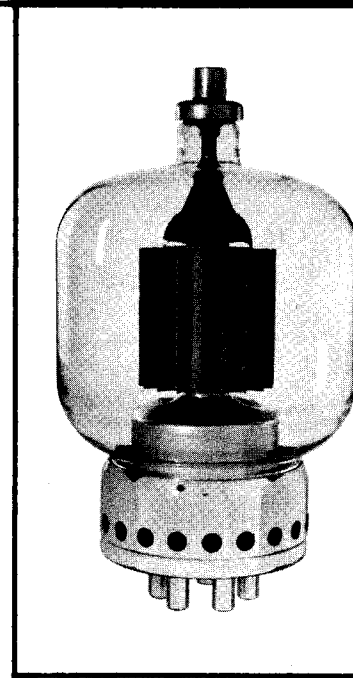
GENERAL CHARACTERISTICS

ELECTRICAL

Filament: Thoriated tungsten	
Voltage	7.5 volts
Current	21 amperes
Grid-Screen Amplification Factor (Average)	7.2
Direct Interelectrode Capacitances (Average)	
Grid-Plate (without shielding, base grounded)	0.24 $\mu\mu\text{fd}$
Input	27.2 $\mu\mu\text{fd}$
Output	7.6 $\mu\mu\text{fd}$
Transconductance ($i_b=300 \text{ ma.}$, $E_b=2500 \text{ v.}$, $E_{c2}=500 \text{ v.}$)	10,000 μmhos

MECHANICAL

Base	5-pin metal shell, (see dwg.)
Basing	RMA type 5BK
Cooling	Radiation and forced air ¹
Mounting position	Vertical, base down or up
Maximum Overall Dimensions	
Length	9.25 inches
Diameter	5 inches
Net Weight	1.5 pounds
Shipping Weight (Average)	12 pounds



RADIO FREQUENCY POWER AMPLIFIER AND OSCILLATOR

Class-C Telegraphy (Key-down conditions, per tube)

MAXIMUM RATINGS

D-C Plate Voltage	6000 Max. Volts
D-C Screen Voltage	1000 Max. Volts
D-C Grid Voltage	-500 Max. Volts
D-C Plate Current	700 Max. ma
Plate Dissipation	1000 Max. Watts
Screen Dissipation	75 Max. Watts
Grid Dissipation	25 Max. Watts

TYPICAL OPERATION (Frequencies below 40 Mc.)

D-C Plate Voltage	3000	4000	5000	6000	Volts
D-C Screen Voltage	500	500	500	500	Volts
D-C Grid Voltage	-150	-150	-200	-200	Volts
D-C Plate Current	693	700	665	681	ma
D-C Screen Current	146	137	125	141	ma
D-C Grid Current	38	39	37	41	ma
Screen Dissipation	73	69	63	71	Watts
Grid Dissipation	5.4	5.5	5.3	6.1	Watts
Peak R-F Grid Input Voltage (approx.)	292	292	342	348	Volts
Driving Power (approx.) ²	11.1	11.4	12.7	14.3	Watts
Plate Power Input	2079	2800	3325	4086	Watts
Plate Dissipation	667	700	715	746	Watts
Plate Power Output	1412	2100	2610	3340	Watts

RADIO FREQUENCY POWER AMPLIFIER

FM Telephony or Class C Telegraphy

MAXIMUM RATINGS (Per tube at 110 Mc.)

D-C Plate Voltage	5000 Max. Volts
D-C Screen Voltage	1000 Max. Volts
D-C Grid Voltage	-500 Max. Volts
D-C Plate Current	700 Max. ma
Plate Dissipation	1000 Max. Watts
Screen Dissipation	75 Max. Watts
Grid Dissipation	25 Max. Watts

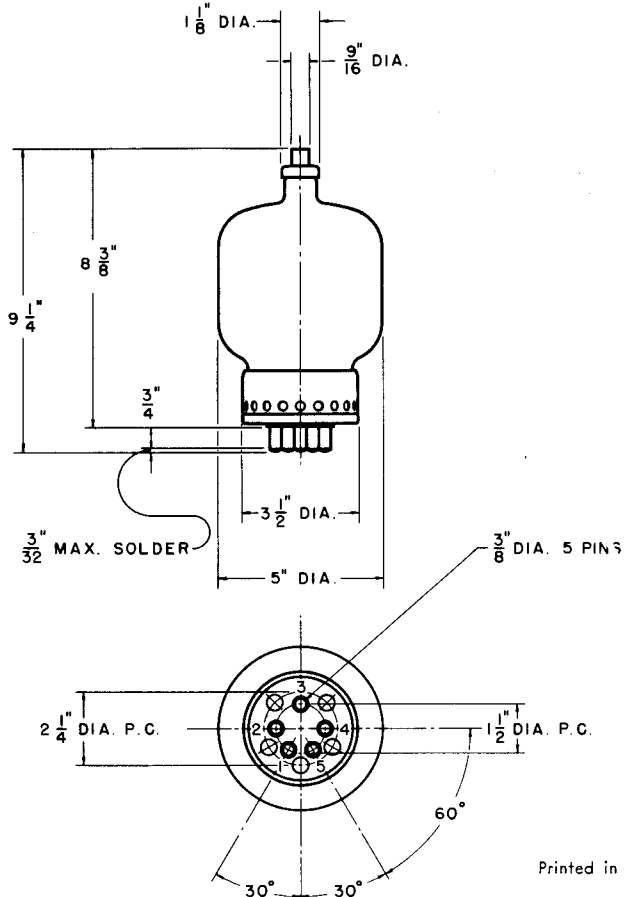
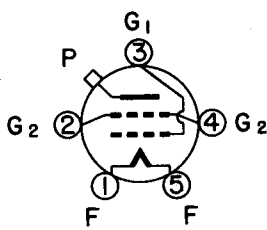
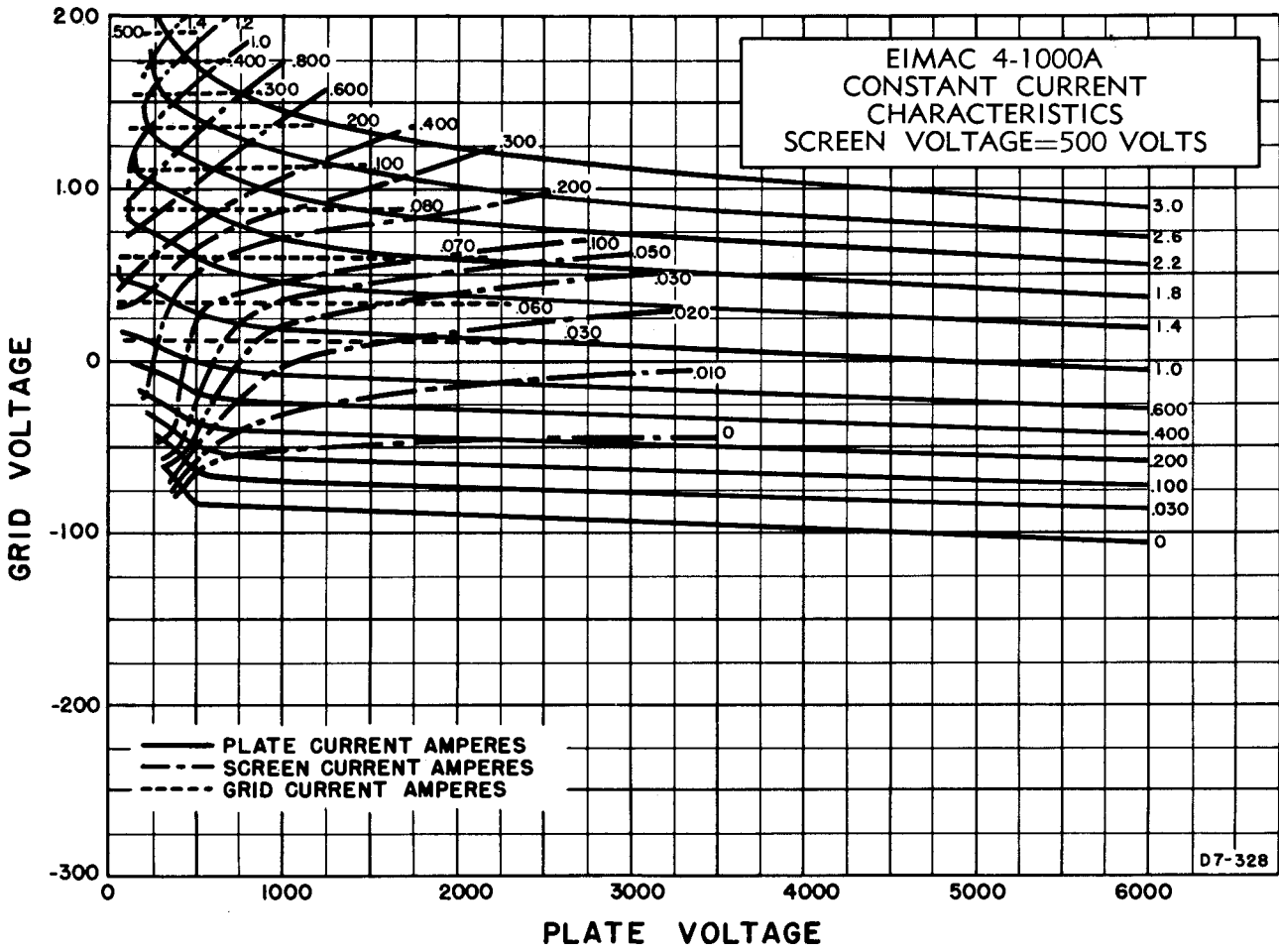
TYPICAL OPERATION (Two Tubes Push-Pull at 110 Mc.)

D-C Plate Voltage	4000	5000	Volts
D-C Screen Voltage	350	330	Volts
D-C Grid Voltage	-350	-487	Volts
D-C Plate Current	1.1	1.22	Amp
D-C Screen Current	290	250	ma.
D-C Grid Current	70	65	ma.
Screen Dissipation	100	83	Watts
Driving Power (approx.) ²	200	250	Watts
Plate Power Input	4400	6100	Watts
Plate Dissipation (per tube)	565	670	Watts
Useful Power Output	3050	4400	Watts

¹ Adequate cooling must be provided for the seals and envelope of the 4-1000A. Forced air circulation in the amount of 20 cubic feet per minute through the base of the tube is required. This air should be applied simultaneously with filament power. The temperature at the top of

the plate terminal and on the pins at the base of the tube should not exceed 150 degrees centigrade in continuous-service applications.

² Driving power increases for frequencies above approximately 30 Mc.



EITEL McCULLOUGH, INC.

SAN BRNO, CALIFORNIA

25T

MEDIUM-MU TRIODE

MODULATOR
OSCILLATOR
AMPLIFIER

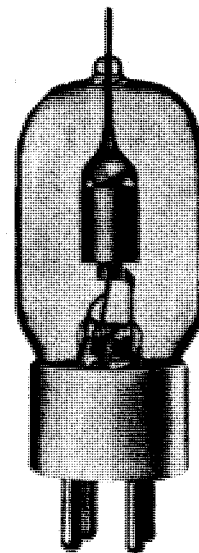
GENERAL CHARACTERISTICS

ELECTRICAL

Filament: Thoriated tungsten	
Voltage - - - - -	▶ 6.3 volts
Current - - - - -	3.0 amperes
Amplification Factor (Average) - - - - -	24
Direct Interelectrode Capacitances (Average)	
Grid-Plate - - - - -	1.5 $\mu\mu\text{f}$
Grid-Filament - - - - -	2.7 $\mu\mu\text{f}$
Plate-Filament - - - - -	0.3 $\mu\mu\text{f}$
Transconductance ($I_b=25$ ma., $E_b=1000$, $e_c=-15$) - - -	2500 μmhos

MECHANICAL

Base - - - - -	(Small 4-pin bayonet, ceramic)	RMA type M8-071
Basing - - - - -		RMA type 3G
Maximum Overall Dimensions:		
Length - - - - -		4.50 inches
Diameter - - - - -		1.44 inches
Net weight - - - - -		1.00 ounce
Shipping weight (Average) - - - - -		1.25 pounds



AUDIO FREQUENCY POWER AMPLIFIER AND MODULATOR Class B

	TYPICAL OPERATION—2 TUBES				MAX. RATING
D-C Plate Voltage - - - - -	750	1000	1500	2000	2000 volts
Max.-Signal D-C Plate Current, per tube* - -	•	•	•	•	75 ma.
Plate Dissipation, per tube* - - - - -	•	•	•	•	25 watts
D-C Grid Voltage (approx.) - - - - -	-20	-30	-55	-80	volts
Peak A-F Grid Input Voltage - - - - -	205	210	230	270	volts
Zero-Signal D-C Plate Current - - - - -	43	32	21	16	ma.
Max.-Signal D-C Plate Current - - - - -	133	120	94	80	ma.
Max.-Signal Driving Power (approx.) - - - -	1.4	1.2	0.8	0.7	watts
Effective Load, Plate-to-Plate - - - - -	9200	15800	33700	55500	ohms
Max.-Signal Plate Power Output - - - - -	50	70	90	110	watts

*Averaged over any sinusoidal audio frequency cycle.

RADIO FREQUENCY POWER AMPLIFIER AND OSCILLATOR Class-C *Telegraphy

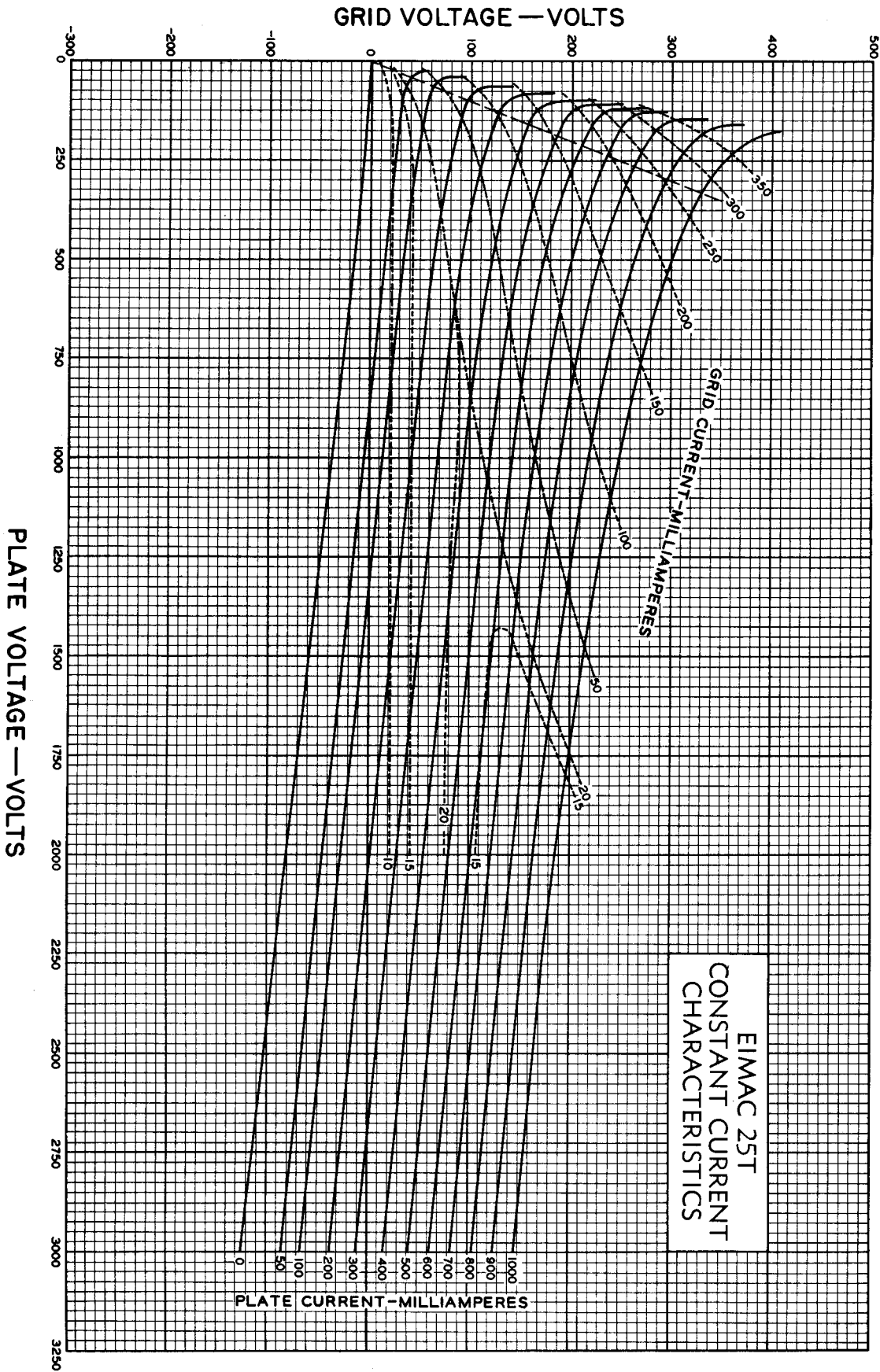
(Key down conditions without modulation)

	TYPICAL OPERATION—1 TUBE			MAX. RATING
D-C Plate Voltage - - - - -	1000	1500	2000	2000 volts
D-C Plate Current - - - - -	72	67	63	75 ma.
D-C Grid Current - - - - -	9	13	18	25 ma.
D-C Grid Voltage - - - - -	-70	-95	-130	volts
Plate Power Output - - - - -	47	75	100	watts
Plate Input - - - - -	72	100	125	watts
Plate Dissipation - - - - -	25	25	25	25 watts
Peak R. F. Grid Input Voltage, (approx.) - -	170	195	245	volts
Driving Power, (approx.) - - - - -	1.3	2.2	4.0	watts

*The above figures show actual measured tube performance, and do not allow for variation in circuit losses.

▶Corrects typographical error on sheet dated 8-15-44.

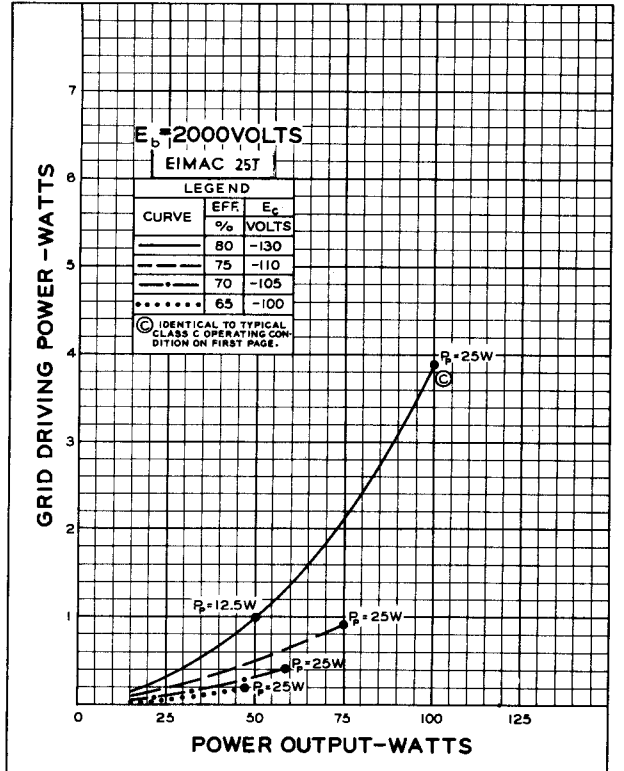
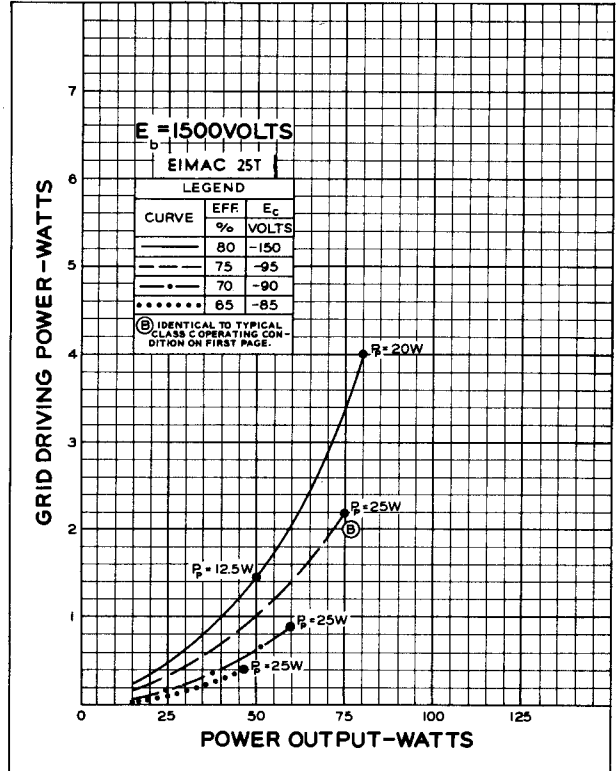
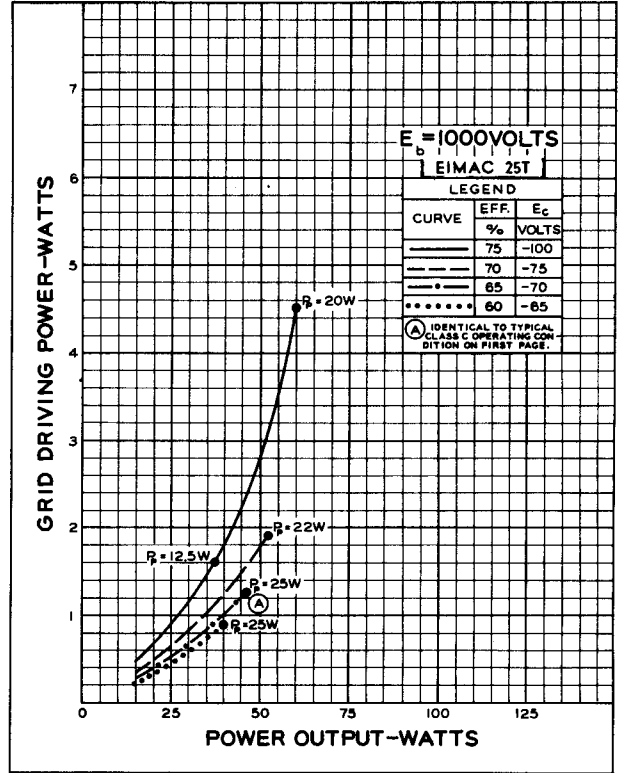
(Effective 10-15-44) Copyright, 1946 by Eitel-McCullough, Inc.



DRIVING POWER vs. POWER OUTPUT

The three charts on this page show the relationship of plate efficiency, power output and grid driving power at plate voltages of 1000, 1500 and 2000 volts. These charts show combined grid and bias losses only. The driving power and power output figures do not include circuit losses. The plate dissipation in watts is indicated by P_p .

Points A, B, and C are identical to the typical Class C operating conditions shown on the first page under 1000, 1500, and 2000 volts respectively.



$.048 \pm .003$

PLATE

$\frac{5}{16}$ MIN.

$1\frac{7}{16}$ MAX.

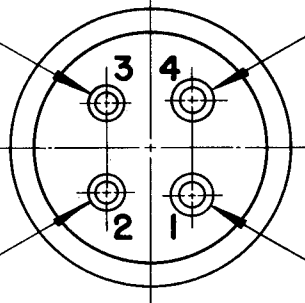
$3\frac{9}{16} \pm \frac{3}{16}$

RMA BASE
NO. M8-071

$4\frac{3}{16} \pm \frac{3}{16}$

GRID

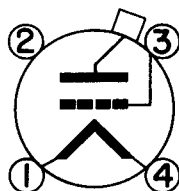
FILAMENT



NC

FILAMENT

3G



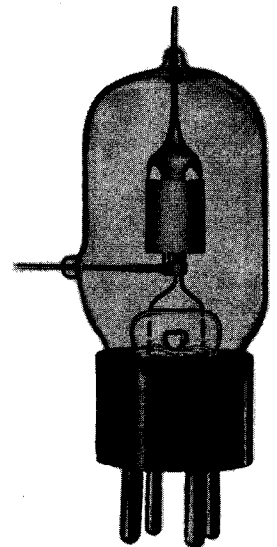
GENERAL CHARACTERISTICS

ELECTRICAL

Filament: Thoriated tungsten		
Voltage - - - - -	6.3	volts
Current - - - - -	3.0	amperes
Amplification Factor (Average) - - - - -	23	
Direct Interelectrode Capacitances (Average)		
Grid-Plate - - - - -	1.5	$\mu\mu\text{f}$
Grid-Filament - - - - -	1.7	$\mu\mu\text{f}$
Plate-Filament - - - - -	0.3	$\mu\mu\text{f}$
Transconductance ($I_b=25$ ma., $E_b=1000$, $e_c=-20$)	2500	μmhos

MECHANICAL

Base - - - - -	(Small 4-pin bayonet)	RMA type M8-071
Basing - - - - -		RMA type 2D
Maximum Overall Dimensions:		
Length - - - - -	4.38	inches
Diameter - - - - -	1.44	inches
Net weight - - - - -	1.00	ounce
Shipping weight (Average) - - - - -	1.25	pounds



AUDIO FREQUENCY POWER AMPLIFIER AND MODULATOR

Class B

	TYPICAL OPERATION—2 TUBES				MAX. RATING	
D-C Plate Voltage - - - - -	750	1000	1500	2000	2000	volts
Max.-Signal D-C Plate Current, per tube* - -	•	•	•	•	75	ma.
Plate Dissipation, per tube* - - - - -	•	•	•	•	25	watts
D-C Grid Voltage (approx.) - - - - -	-20	-30	-60	-85		volts
Peak A-F Grid Input Voltage - - - - -	230	230	250	290		volts
Zero-Signal D-C Plate Current - - - - -	43	32	21	16		ma.
Max.-Signal D-C Plate Current - - - - -	133	120	94	80		ma.
Max.-Signal Driving Power (approx.) - - - -	2.0	1.7	1.2	1.1		watts
Effective Load, Plate-to-Plate - - - - -	9200	15800	33700	55500		ohms
Max.-Signal Plate Power Output - - - - -	50	70	90	110		watts

*Averaged over any sinusoidal audio frequency cycle.

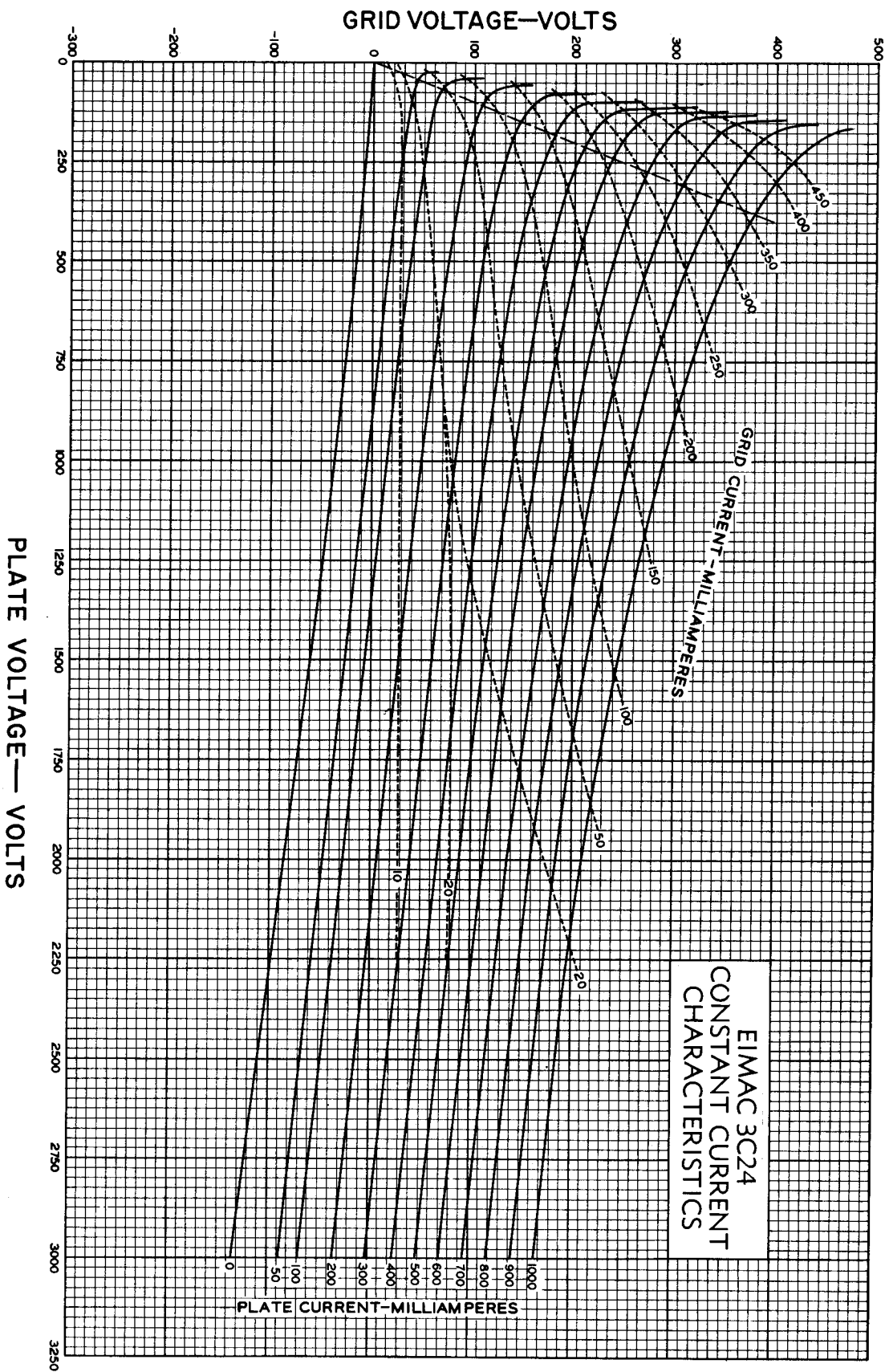
RADIO FREQUENCY POWER AMPLIFIER AND OSCILLATOR

Class-C *Telegraphy

(Key down conditions without modulation)

	TYPICAL OPERATION—1 TUBE			MAX. RATING	
D-C Plate Voltage - - - - -	1000	1500	2000	2000	volts
D-C Plate Current - - - - -	72	67	63	75	ma.
D-C Grid Current - - - - -	15	15	17	25	ma.
D-C Grid Voltage - - - - -	-80	-110	-170		volts
Plate Power Output - - - - -	47	75	100		watts
Plate Input - - - - -	72	100	125		watts
Plate Dissipation - - - - -	25	25	25	25	watts
Peak R. F. Grid Input Voltage, (approx.) - -	200	225	295		volts
Driving Power, (approx.) - - - - -	2.6	3.1	4.5		watts

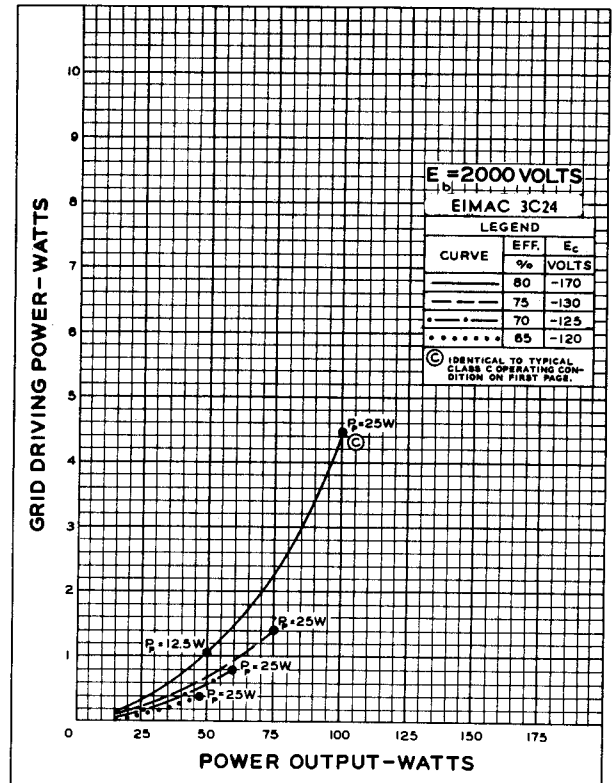
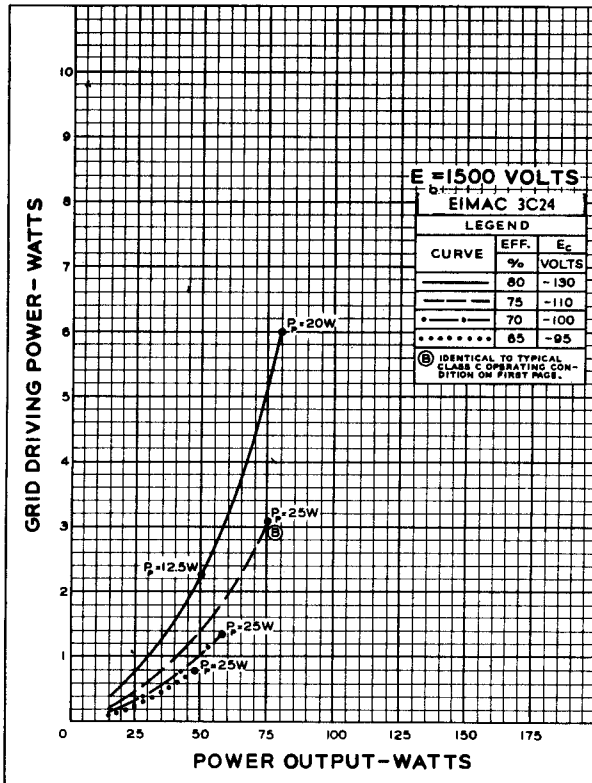
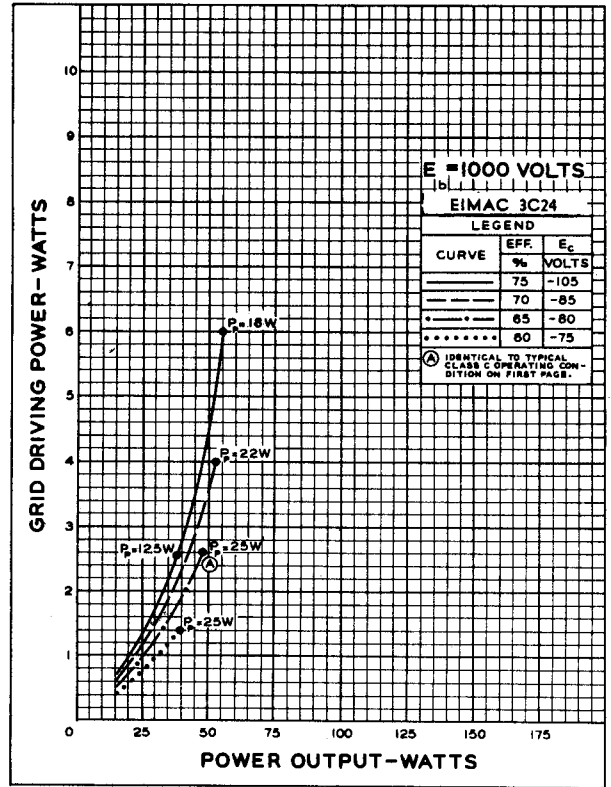
*The above figures show actual measured tube performance, and do not allow for variations in circuit losses.

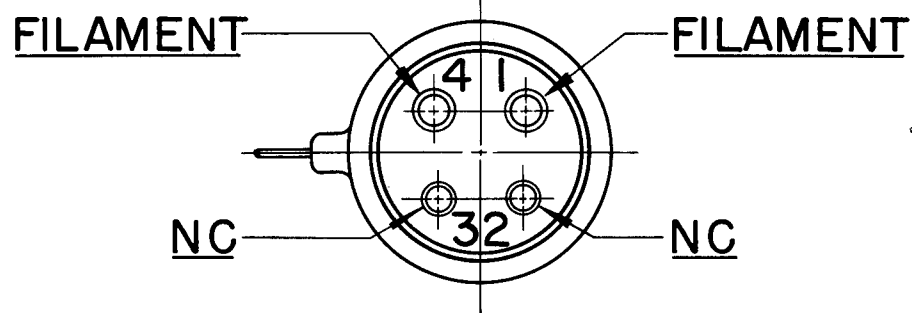
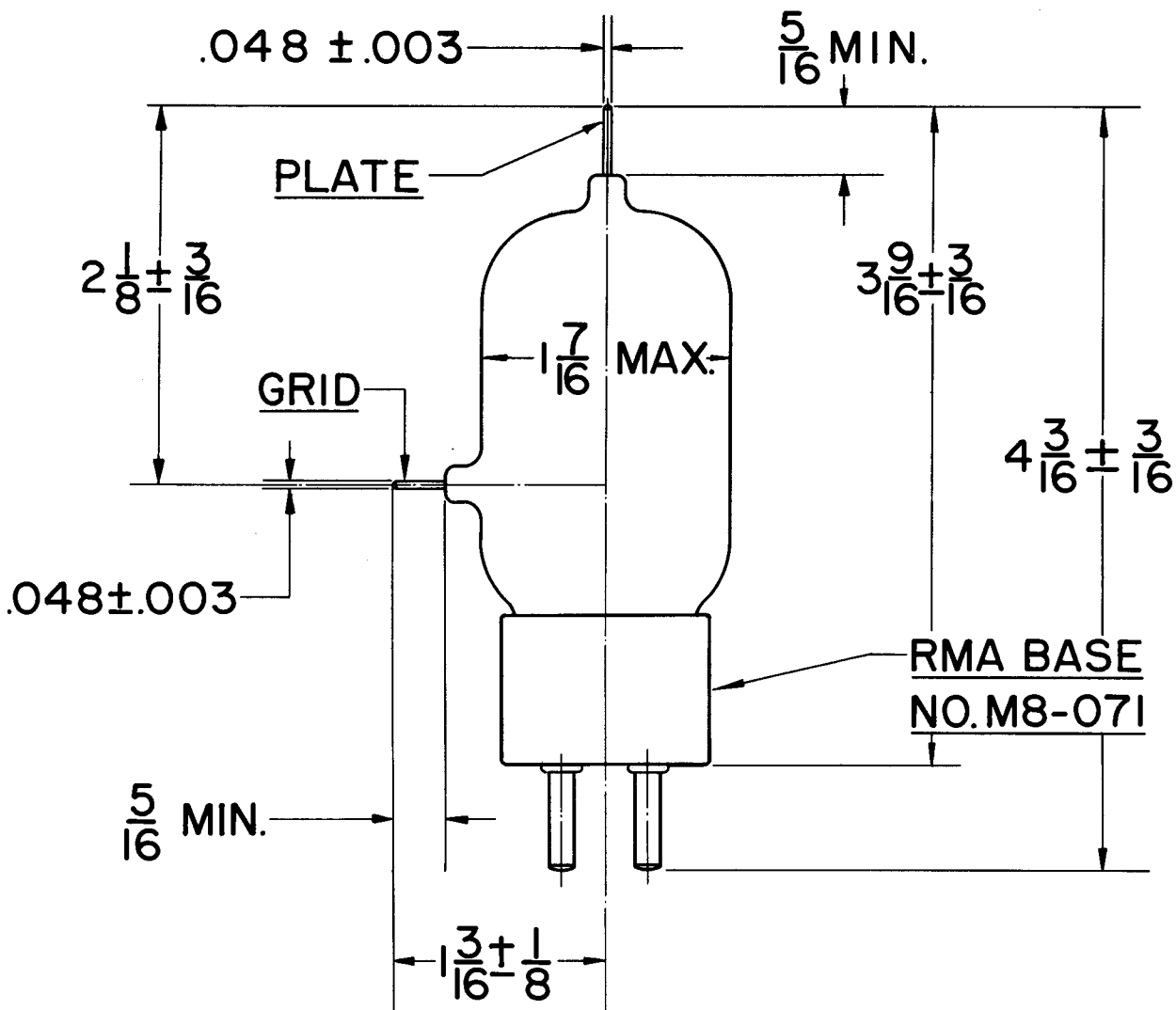


DRIVING POWER vs. POWER OUTPUT

The three charts on this page show the relationship of plate efficiency, power output and grid driving power at plate voltages of 1000, 1500 and 2000 volts. These charts show combined grid and bias losses only. The driving power and power output figures do not include circuit losses. The plate dissipation in watts is indicated by P_p .

Points A, B, and C are identical to the typical Class C operating conditions shown on the first page under 1000, 1500, and 2000 volts respectively.





2D



EITEL-McCULLOUGH, INC.

SAN BRUNO, CALIFORNIA

3 5 T

HIGH-MU TRIODE
MODULATOR
OSCILLATOR
AMPLIFIER

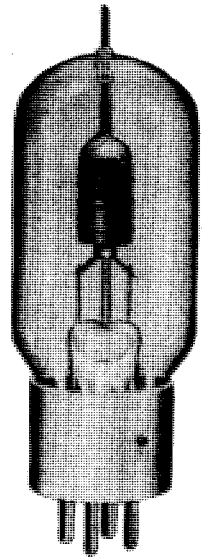
GENERAL CHARACTERISTICS

ELECTRICAL

Filament: Thoriated tungsten	
Voltage - - - - -	5.0 volts
Current - - - - -	4.0 amperes
Amplification Factor (Average) - - - - - 39	
Direct Interelectrode Capacitances (Average)	
Grid-Plate - - - - -	1.8 $\mu\mu\text{f}$
Grid-Filament - - - - -	4.1 $\mu\mu\text{f}$
Plate-Filament - - - - -	0.3 $\mu\mu\text{f}$
Transconductance ($I_b=100$ ma., $E_b=2000$, $e_c=-30$) 2850 μmhos	
Frequency for Maximum Ratings - - - - - 100 mc.	

MECHANICAL

Base - - - - -	(Medium 4-pin bayonet, ceramic)	RMA type M8-078
Basing - - - - -		RMA type 3G
Maximum Overall Dimensions:		
Length - - - - -		5.5 inches
Diameter - - - - -		1.81 inches
Net weight - - - - -		2.5 ounces
Shipping weight (Average) - - - - -		1.25 pounds



AUDIO FREQUENCY POWER AMPLIFIER AND MODULATOR Class B

	TYPICAL OPERATION—2 TUBES			MAX. RATING	
	1000	1500	2000		
D-C Plate Voltage - - - - -	1000	1500	2000	2000	volts
Max.-Signal D-C Plate Current, per tube* - - -	•	•	•	150	ma.
Plate Dissipation, per tube* - - - - -	•	•	•	50	watts
D-C Grid Voltage (approx.) - - - - -	-8	-25	-40		volts
Peak A-F Grid Input Voltage - - - - -	240	250	255		volts
Zero-Signal D-C Plate Current - - - - -	67	45	34		ma.
Max.-Signal D-C Plate Current - - - - -	240	200	167		ma.
Max.-Signal Driving Power (approx.) - - - - -	7	5	4		watts
Effective Load, Plate-to-Plate - - - - -	7900	16200	27500		ohms
Max.-Signal Plate Power Output - - - - -	140	200	235		watts

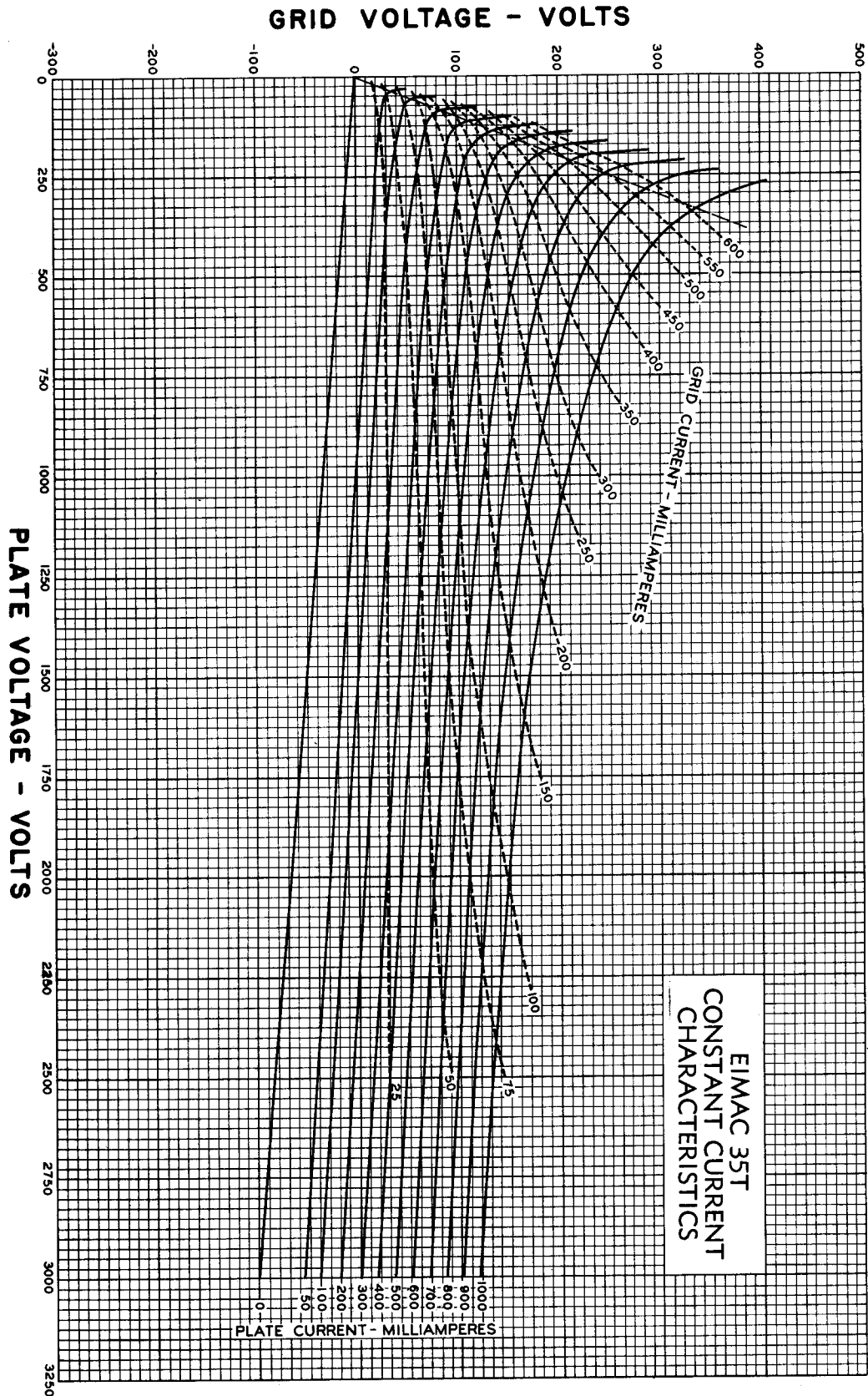
*Averaged over any sinusoidal audio frequency cycle.

RADIO FREQUENCY POWER AMPLIFIER AND OSCILLATOR Class-C *Telegraphy

(Key down conditions without modulation)

	TYPICAL OPERATION—1 TUBE			MAX. RATING	
	1000	1500	2000		
D-C Plate Voltage - - - - -	1000	1500	2000	2000	volts
D-C Plate Current - - - - -	125	125	125	150	ma.
D-C Grid Current - - - - -	40	40	45	50	ma.
D-C Grid Voltage - - - - -	-60	-120	-135		volts
Plate Power Output - - - - -	87	141	200		watts
Plate Input - - - - -	125	188	250		watts
Plate Dissipation - - - - -	38	47	50	50	watts
Peak R. F. Grid Input Voltage, (approx.) - - -	165	250	285		volts
Driving Power, (approx.) - - - - -	7	9	13		watts

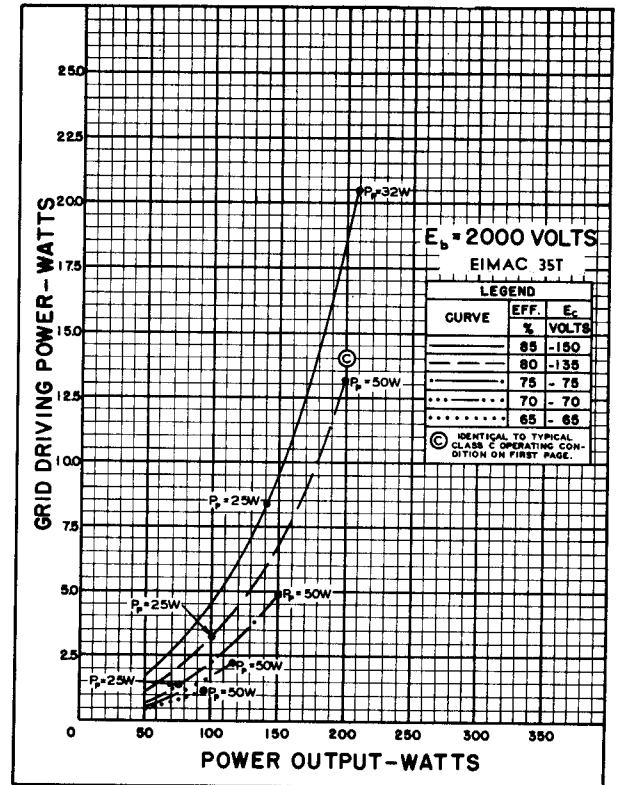
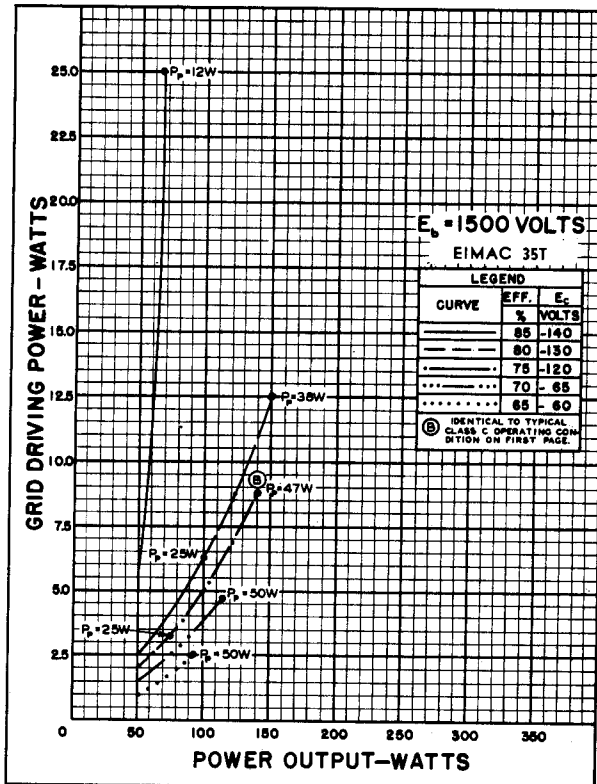
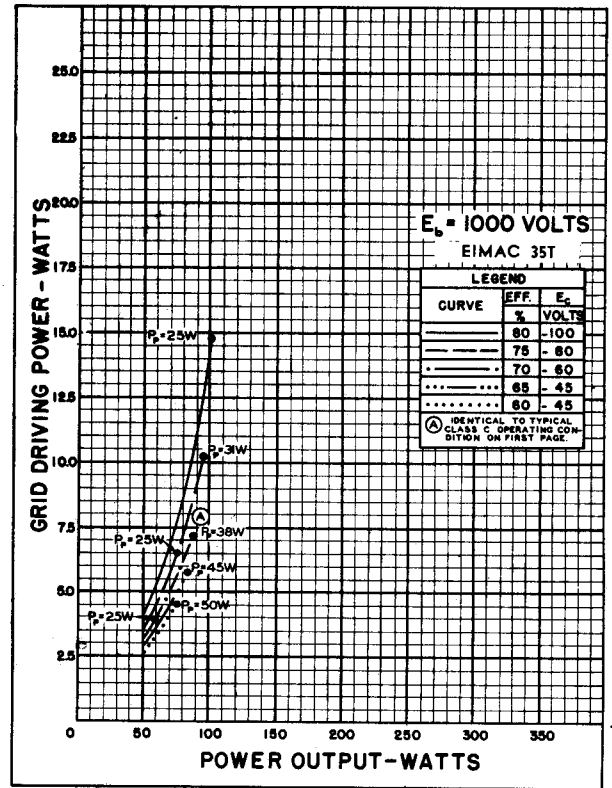
*The above figures show actual measured tube performance, and do not allow for variations in circuit losses.

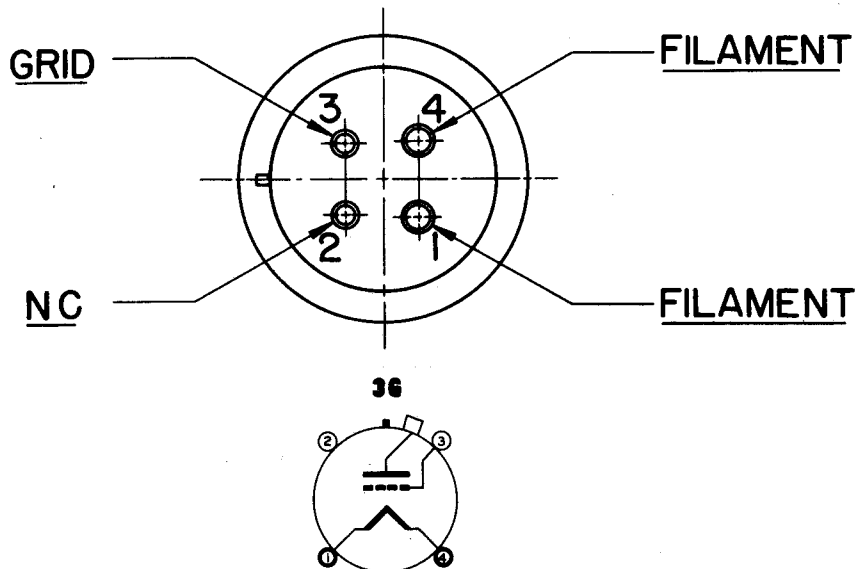
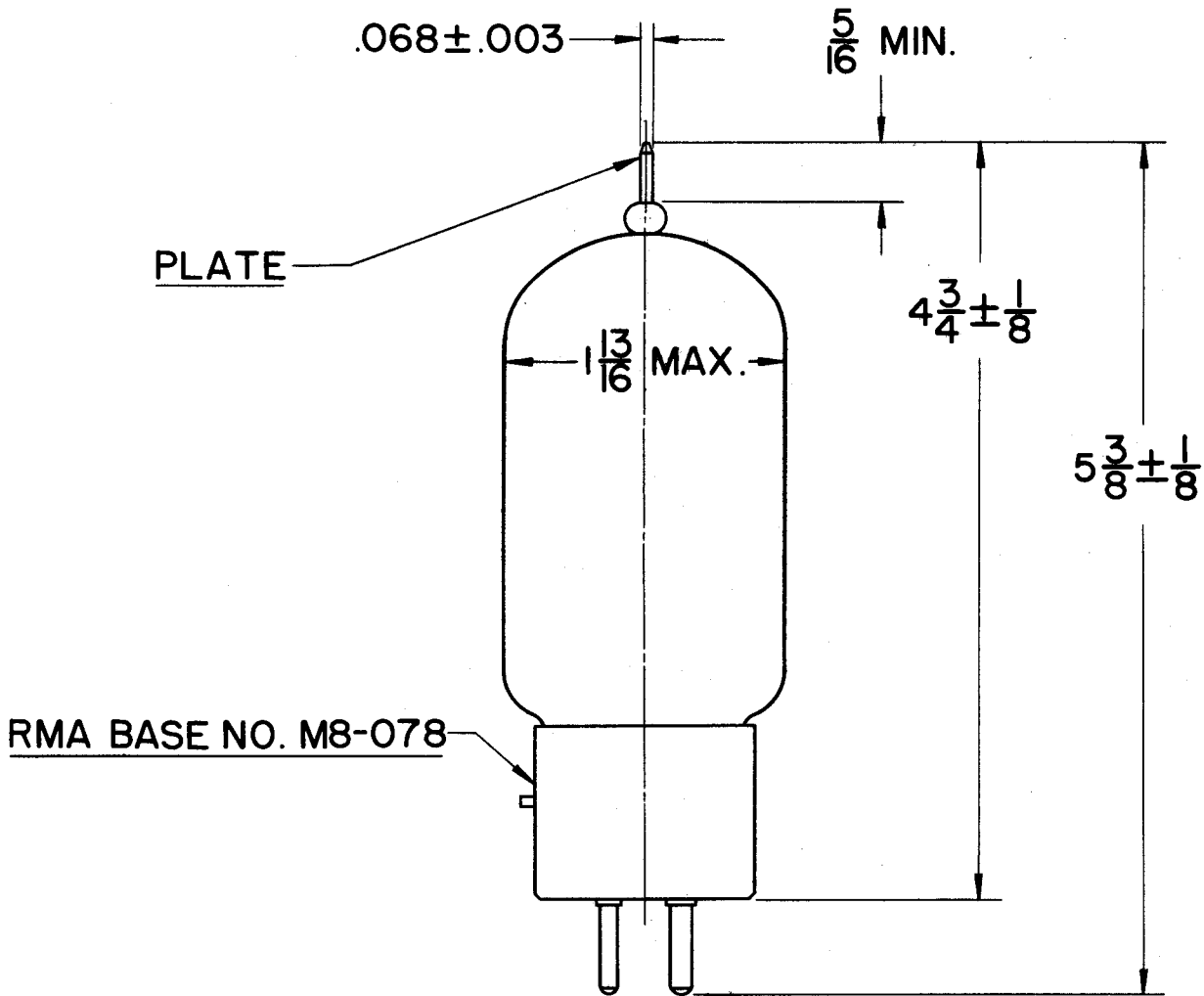


DRIVING POWER vs. POWER OUTPUT

The three charts on this page show the relationship of plate efficiency, power output and grid driving power at plate voltages of 1000, 1500 and 2000 volts. These charts show combined grid and bias losses only. The driving power and power output figures do not include circuit losses. The plate dissipation in watts is indicated by P_p .

Points A, B, and C are identical to the typical Class C operating conditions shown on the first page under 1000, 1500, and 2000 volts respectively.







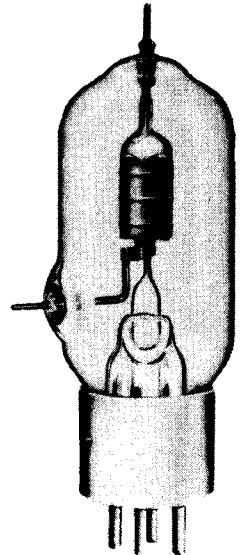
GENERAL CHARACTERISTICS

ELECTRICAL

Filament: Thoriated tungsten		
Voltage	5.0	volts
Current	4.0	amperes
Amplification Factor (Average)	39	
Direct Interelectrode Capacitances (Average)		
Grid-Plate	1.8	μf
Grid-Filament	2.5	μf
Plate-Filament	0.4	μf
Transconductance ($I_b=100 \text{ ma.}, E_b=2000, e_c=-30$)	2850	μmhos
Frequency for Maximum Ratings	100	mc.

MECHANICAL

Base	(Medium 4-pin bayonet, ceramic)	RMA type M8-078
Basing		RMA type 2M
Maximum Overall Dimensions:		
Length	5.75	inches
Diameter	1.81	inches
Net weight	2.5	ounces
Shipping weight (Average)	1.25	pounds



AUDIO FREQUENCY POWER AMPLIFIER AND MODULATOR

Class B

	TYPICAL OPERATION—2 TUBES			MAX. RATING	
	1000	1500	2000		
D-C Plate Voltage	1000	1500	2000	2000	volts
Max.-Signal D-C Plate Current, per tube*	•	•	•	150	ma.
Plate Dissipation, per tube*	•	•	•	50	watts
D-C Grid Voltage (approx.)	-8	-25	-40		volts
Peak A-F Grid Input Voltage	240	250	255		volts
Zero-Signal D-C Plate Current	67	45	34		ma.
Max.-Signal D-C Plate Current	240	200	167		ma.
Max.-Signal Driving Power (approx.)	7	5	4		watts
Effective Load, Plate-to-Plate	7900	16200	27500		ohms
Max.-Signal Plate Power Output	140	200	235		watts

*Averaged over any sinusoidal audio frequency cycle.

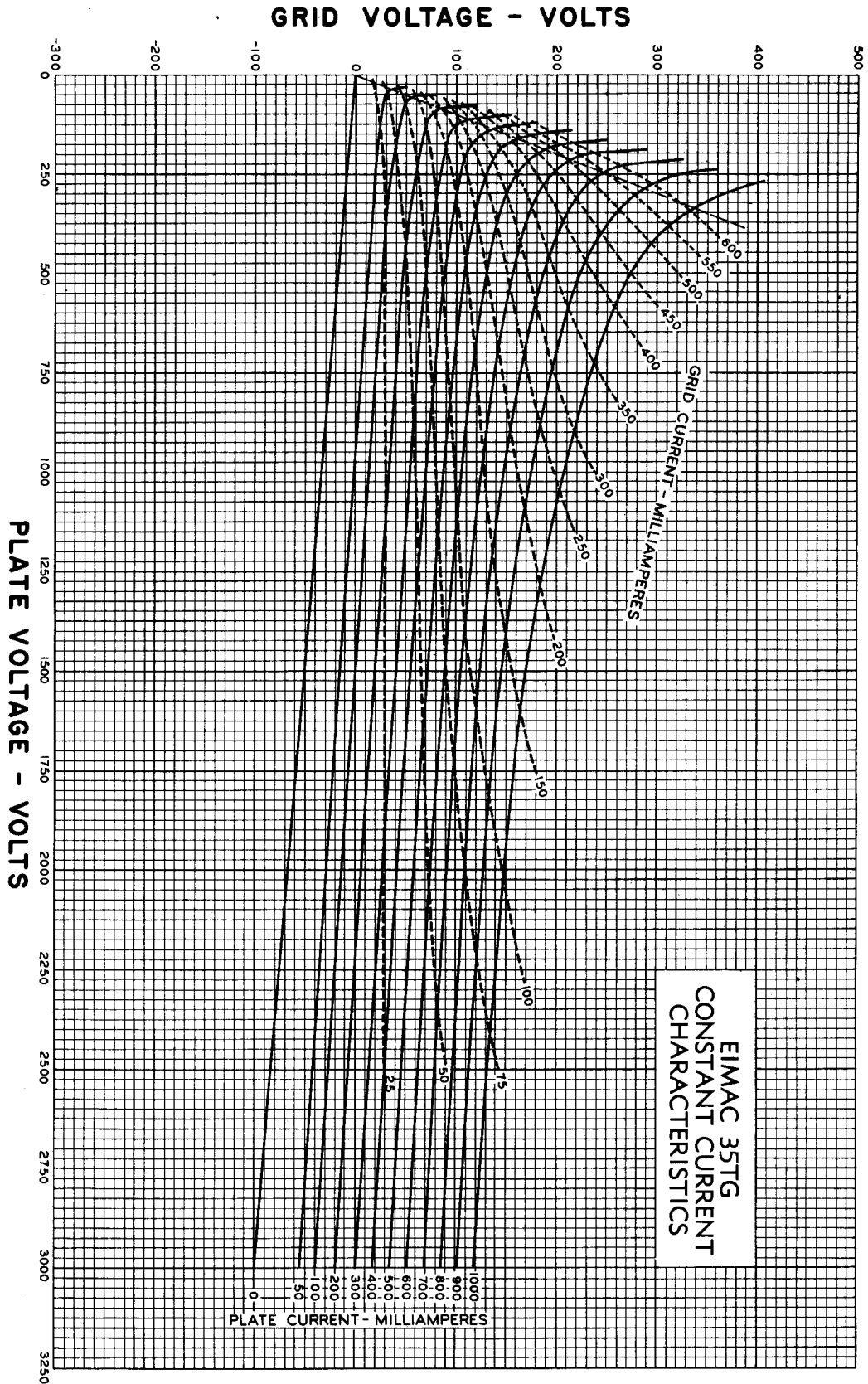
RADIO FREQUENCY POWER AMPLIFIER AND OSCILLATOR

Class-C *Telegraphy

(Key down conditions without modulation)

	TYPICAL OPERATION—1 TUBE			MAX. RATING	
	1000	1500	2000		
D-C Plate Voltage	1000	1500	2000	2000	volts
D-C Plate Current	125	125	125	150	ma.
D-C Grid Current	40	40	45	50	ma.
D-C Grid Voltage	-60	-120	-135		volts
Plate Power Output	87	141	200		watts
Plate Input	125	188	250		watts
Plate Dissipation	38	47	50	50	watts
Peak R. F. Grid Input Voltage, (approx.)	165	250	285		volts
Driving Power, (approx.)	7	9	13		watts

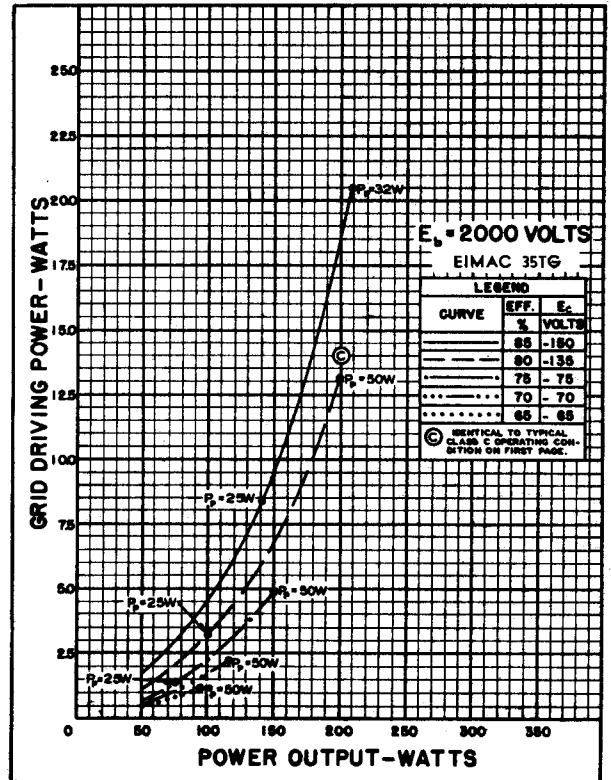
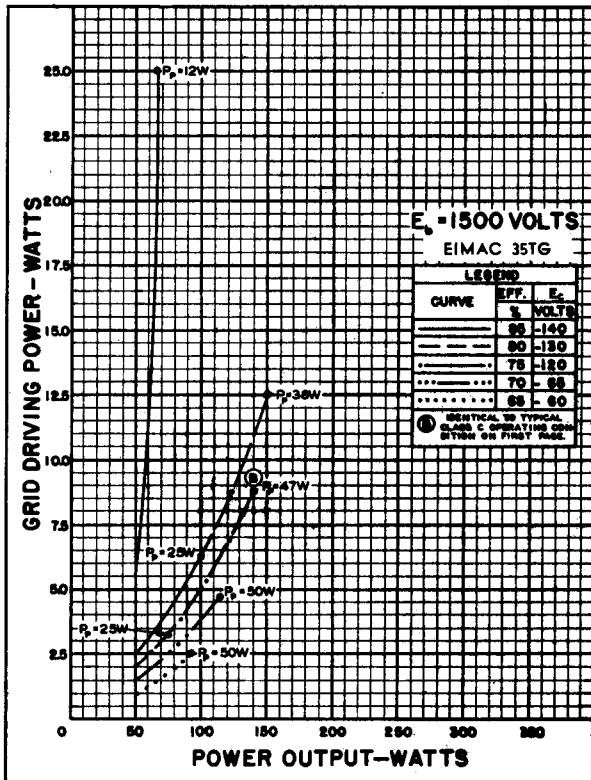
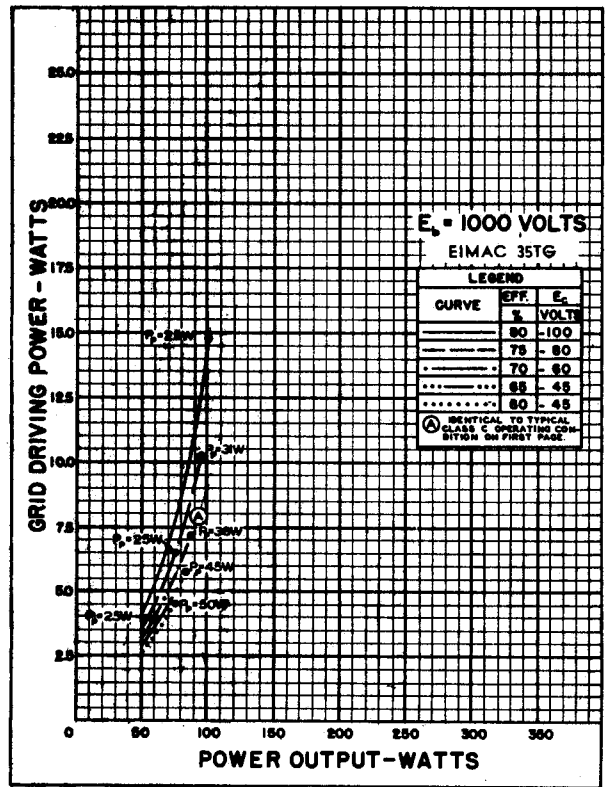
*The above figures show actual measured tube performance, and do not allow for variations in circuit losses.

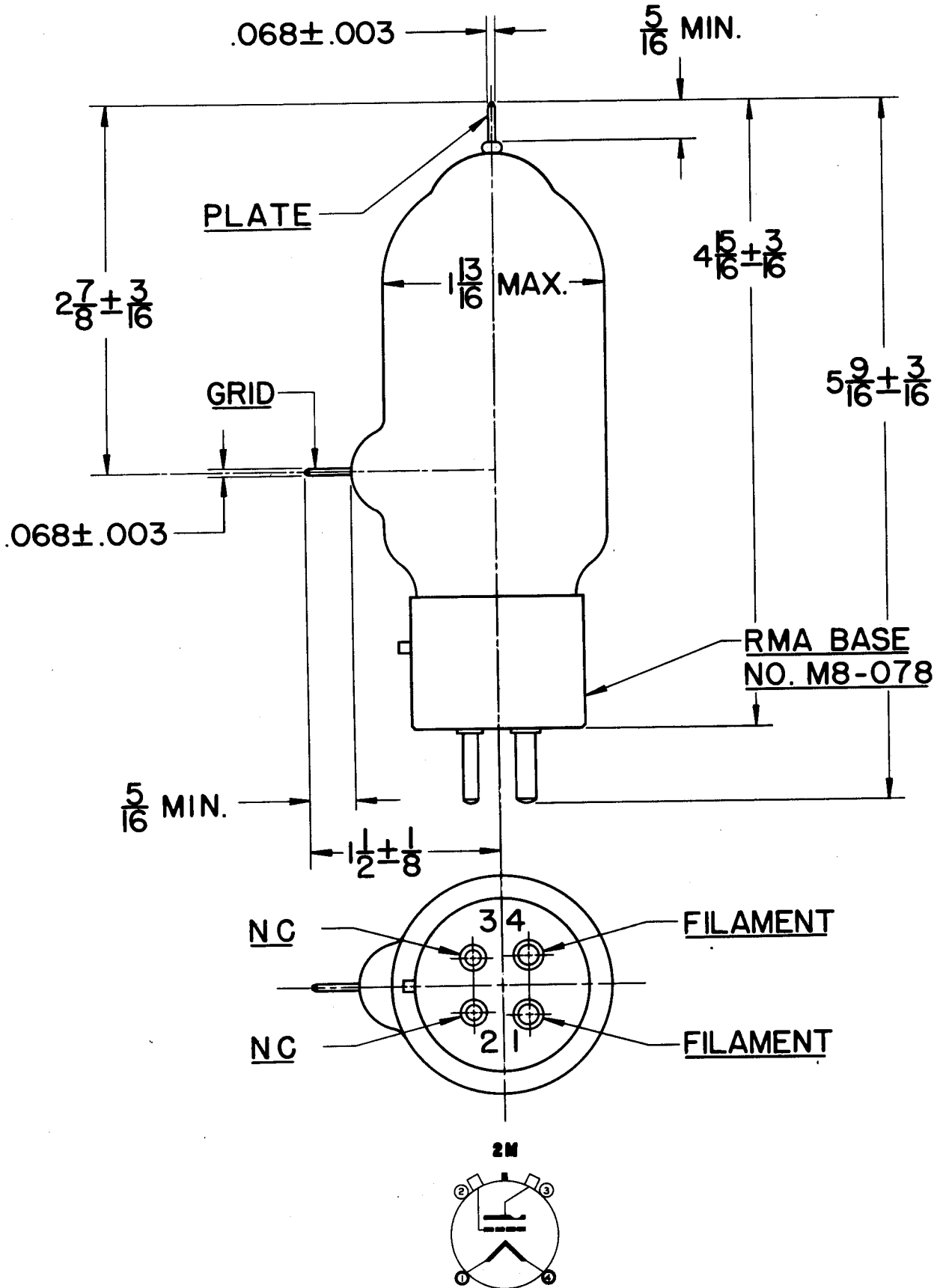


DRIVING POWER vs. POWER OUTPUT

The three charts on this page show the relationship of plate efficiency, power output and grid driving power at plate voltages of 1000, 1500 and 2000 volts. These charts show combined grid and bias losses only. The driving power and power output figures do not include circuit losses. The plate dissipation in watts is indicated by P_p .

Points A, B, and C are identical to the typical Class C operating conditions shown on the first page under 1000, 1500, and 2000 volts respectively.





Eimac
EITEL-McCULLOUGH, INC.
 SAN BRUNO, CALIFORNIA

75TH

MEDIUM-MU TRIODE
 •
 MODULATOR
 OSCILLATOR
 AMPLIFIER

The Eimac 75TH is a medium-mu, high-vacuum transmitting triode intended for amplifier, oscillator and modulator service. It has a maximum plate dissipation rating of 75 watts. Cooling of the 75TH is accomplished by radiation from the plate, which operates at a visibly red temperature at maximum dissipation, and by air circulation around the envelope.

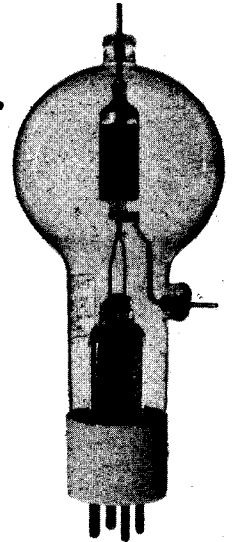
GENERAL CHARACTERISTICS

ELECTRICAL

Filament: Thoriated tungsten	
Voltage - - - - -	5.0 volts
Current - - - - -	6.25 amperes
Amplification Factor (Average) - - - - -	20
Direct Interelectrode Capacitances (Average)	
Grid-Plate - - - - -	2.3 $\mu\mu\text{fd.}$
Grid-Filament - - - - -	2.7 $\mu\mu\text{fd.}$
Plate-Filament - - - - -	0.3 $\mu\mu\text{fd.}$
Transconductance ($i_b=225 \text{ ma.}, E_b=3000 \text{ v.}, E_c=-40 \text{ v.}$)	4150 μmhos

MECHANICAL

Base - - - - -	Medium 4-pin bayonet, ceramic, RMA type M8-078
Basing - - - - -	RMA type 2M
Cooling - - - - -	Radiation and air circulation
Maximum Overall Dimensions:	
Length - - - - -	7.25 inches
Diameter - - - - -	2.81 inches
Net Weight - - - - -	3 ounces
Shipping Weight (Average) - - - - -	1.5 pounds



RADIO FREQUENCY POWER AMPLIFIER AND OSCILLATOR

Class-C Telegraphy (Key-down conditions, 1 tube)

MAXIMUM RATINGS (Frequencies below 40 Mc.)

D-C PLATE VOLTAGE - - - - -	3000 MAX. VOLTS.
D-C PLATE CURRENT - - - - -	225 MAX. MA.
PLATE DISSIPATION - - - - -	75 MAX. WATTS
GRID DISSIPATION - - - - -	16 MAX. WATTS

TYPICAL OPERATION (Frequencies below 40 Mc.)

D-C Plate Voltage - - - - -	1000	1500	2000	volts
D-C Grid Voltage - - - - -	-80	-125	-200	volts
D-C Plate Current - - - - -	215	167	150	ma.
D-C Grid Current - - - - -	40	30	32	ma.
Peak R-F Grid Input Voltage (approx.) -	290	250	325	volts
Driving Power (approx.) - - - - -	9	6	10	watts
Plate Power Input - - - - -	215	250	300	watts
Plate Dissipation - - - - -	75	75	75	watts
Plate Power Output - - - - -	140	175	225	watts

AUDIO FREQUENCY POWER AMPLIFIER AND MODULATOR

Class-B (Sinusoidal wave, two tubes unless otherwise specified)

MAXIMUM RATINGS

D-C PLATE VOLTAGE - - - - -	3000 MAX. VOLTS
MAX-SIGNAL D-C PLATE CURRENT, PER TUBE -	225 MAX. MA.
PLATE DISSIPATION, PER TUBE - - - - -	75 MAX. WATTS
GRID DISSIPATION, PER TUBE - - - - -	16 MAX. WATTS

TYPICAL OPERATION

D-C Plate Voltage - - - - -	1000	1500	2000	volts
D-C Grid Voltage (approx.) - - - - -	-25	-65	-90	ma.
Zero-Signal D-C Plate Current - - - - -	90	67	50	ma.
Max-Signal D-C Plate Current - - - - -	350	267	225	ma.
Effective Load, Plate-to-Plate - - - - -	5300	11,400	19,300	ohms
Peak A-F Grid Input Voltage (per tube) -	175	165	175	volts
Max-Signal Driving Power (approx.) - - -	7	4	3	watts
Max-Signal Plate Dissipation (per tube) -	75	75	75	watts
Max-Signal Plate Power Output - - - - -	200	250	300	watts

APPLICATION

MECHANICAL

Mounting—The 75TH must be mounted vertically, base up or base down. Flexible connecting straps should be provided between the grid and plate terminals and the external grid and plate circuits. The tube must be protected from severe vibration and shock.

Cooling—Provision should be made for ample circulation of air around the 75TH. In the event that the design of the equipment restricts natural circulation, a small fan or centrifugal blower should be used to provide additional cooling for the envelope and plate and grid seals.

ELECTRICAL

Filament Voltage—The filament voltage, as measured directly at the filament pins, should be between 4.75 and 5.25 volts.

Bias Voltage—Although there is no maximum limit on the bias voltage which may be used on the 75TH, there is little advantage in using bias voltages in excess of those given under "Typical Operation," except in certain very specialized applications. Where bias is obtained by a grid leak, suitable protective means must be provided to prevent excessive plate dissipation in the event of loss of excitation.

Plate Voltage—The plate-supply voltage for the 75TH should not exceed 3000 volts. In most cases there is little advantage in using plate-supply voltages higher than those given under "Typical Operation" for the power output desired.

Grid Dissipation—The power dissipated by the grid of the 75TH must not exceed 16 watts. Grid dissipation may be calculated from the following expression:

$$P_g = e_{cmp} I_c$$

where P_g = Grid dissipation,

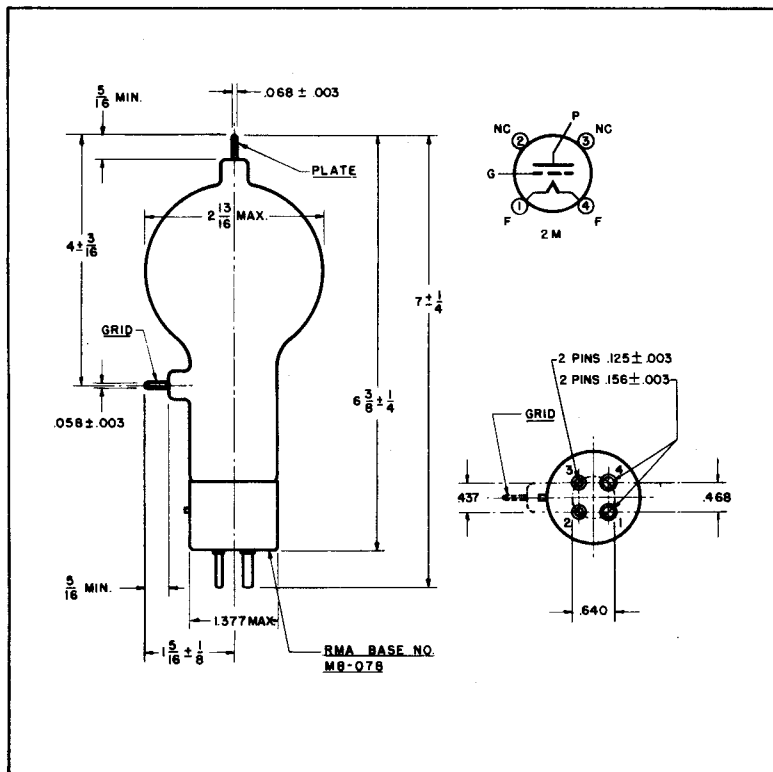
e_{cmp} = Peak positive grid voltage, and

I_c = D-c grid current.

e_{cmp} may be measured by means of a suitable peak voltmeter connected between filament and grid.¹ In equipment in which the plate loading varies widely, such as oscillators used for radio-frequency heating, care should be taken to make certain that the grid dissipation does not exceed the maximum rating under any condition of loading.

Plate Dissipation—Under normal operating conditions, the power dissipated by the plate of the 75TH should not be allowed to exceed 75 watts. Plate dissipation in excess of the maximum rating is permissible for short periods of time, such as during tuning procedures.

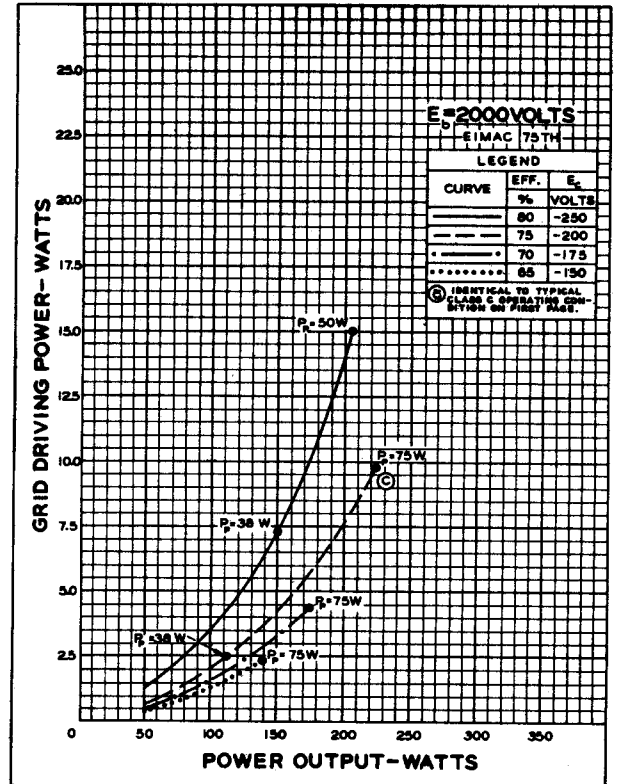
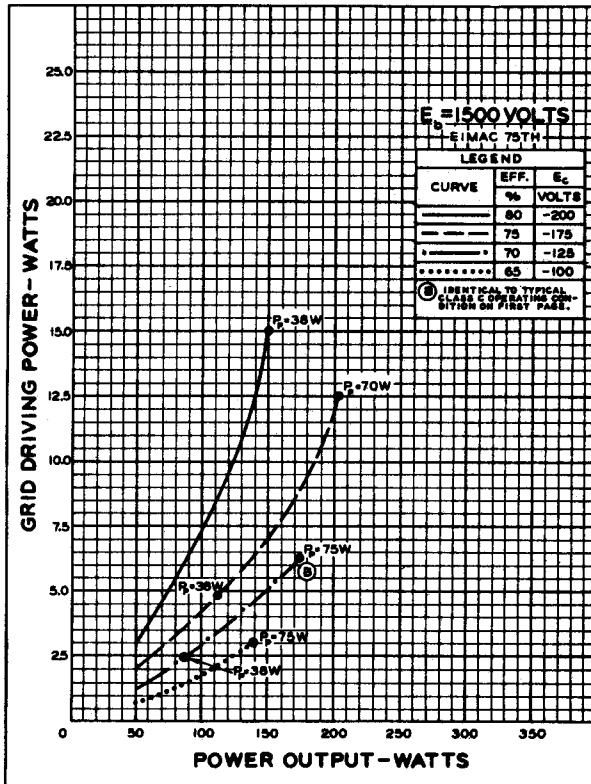
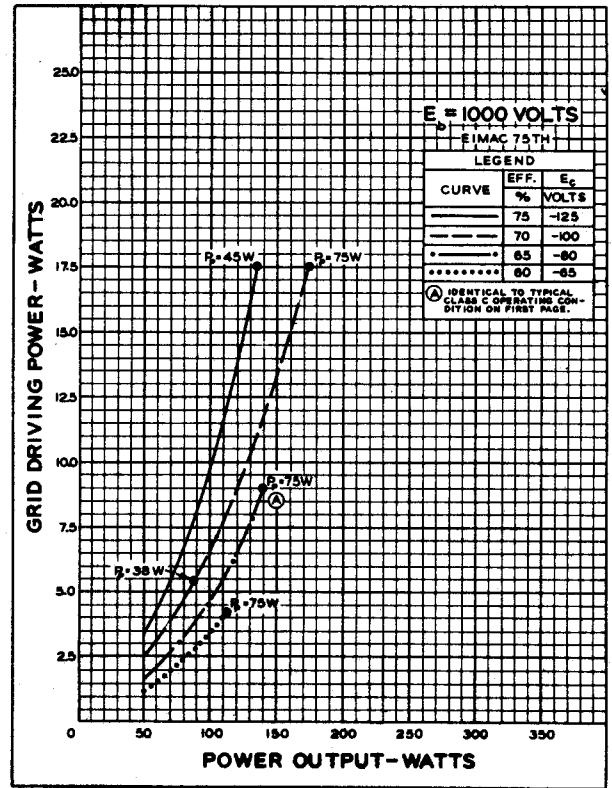
¹ For suitable peak v.t.v.m. circuits see, for instance, "Vacuum Tube Ratings," Eimac News, January, 1945. This article is available in reprint form on request.

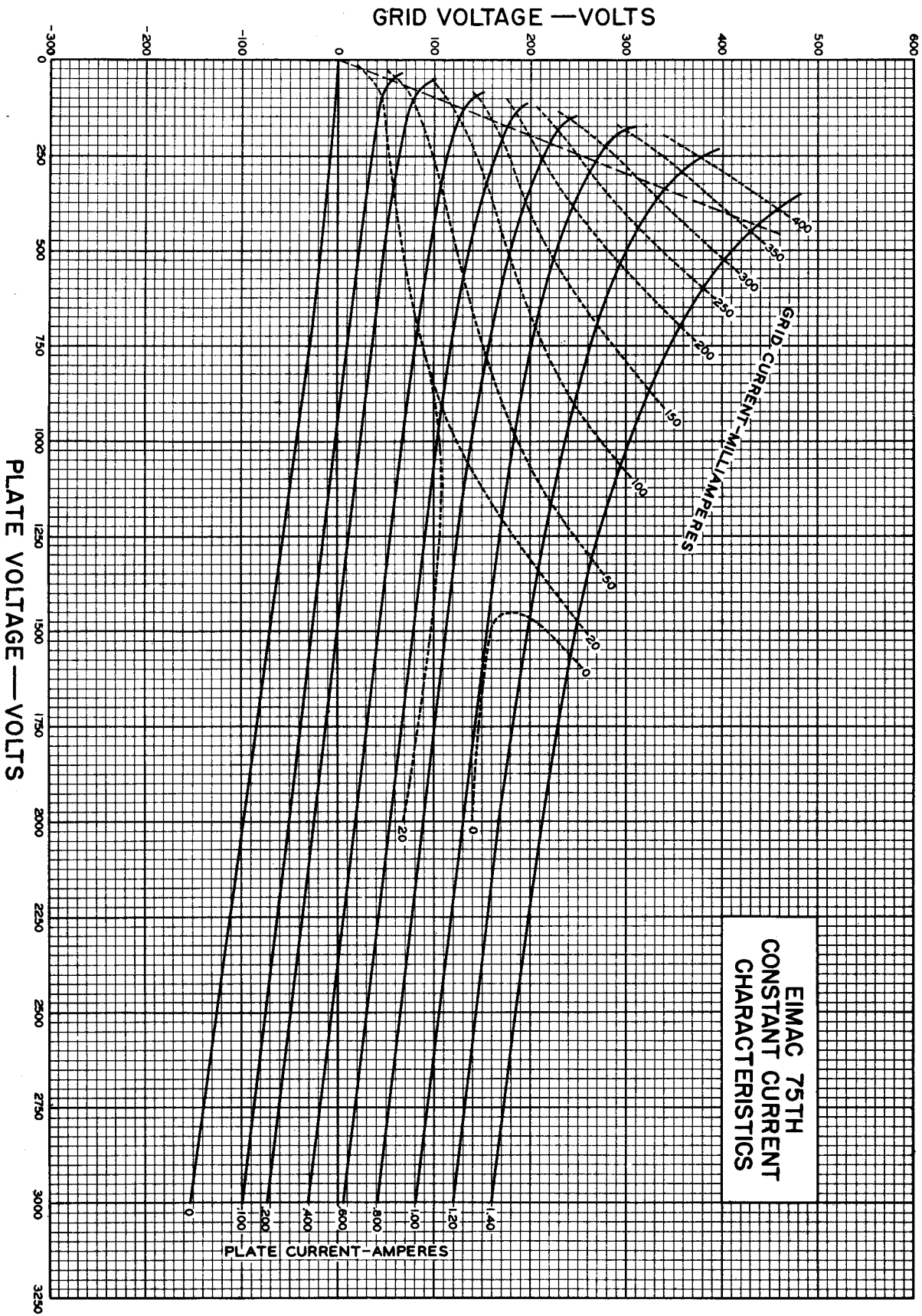


DRIVING POWER vs. POWER OUTPUT

The three charts on this page show the relationship of plate efficiency, power output and grid driving power at plate voltages of 1000, 1500 and 2000 volts. These charts show combined grid and bias losses only. The driving power and power output figures do not include circuit losses. The plate dissipation in watts is indicated by P_p .

Points A, B, and C are identical to the typical Class C operating conditions shown on the first page under 1000, 1500, and 2000 volts respectively.





**EIMAC 75TH
 CONSTANT CURRENT
 CHARACTERISTICS**

EITEL-McCULLOUGH, INC.

SAN BRUNO, CALIFORNIA

75TL

LOW-MU TRIODE
MODULATOR
OSCILLATOR
AMPLIFIER

The Eimac 75TL is a low-mu, high-vacuum transmitting triode intended for amplifier, oscillator and modulator service. It has a maximum plate dissipation rating of 75 watts. Cooling of the 75TL is accomplished by radiation from the plate, which operates at a visibly red temperature at maximum dissipation, and by air circulation around the envelope.

GENERAL CHARACTERISTICS

ELECTRICAL

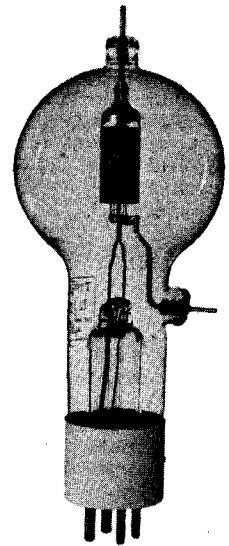
Filament: Thoriated tungsten	
Voltage	5.0 volts
Current	6.25 amperes
Amplification Factor (Average)	12
Direct Interelectrode Capacitances (Average)	
Grid-Plate	2.4 μfd .
Grid-Filament	2.6 μfd .
Plate-Filament	0.4 μfd .
Transconductance ($i_b = 225\text{ma.}$, $E_b = 2500\text{v.}$, $E_c = -182\text{v.}$)	3350 μmhos

MECHANICAL

Base	Medium 4-pin bayonet, ceramic, RMA type M8-078
Basing	RMA type 2M
Cooling	Radiation and air circulation

Maximum Overall Dimensions:

Length	7.25 inches
Diameter	2.81 inches
Net weight	3 ounces
Shipping weight (Average)	1.5 pounds



RADIO FREQUENCY POWER AMPLIFIER AND OSCILLATOR

Class-C Telegraphy (Key-down conditions, 1 tube)

MAXIMUM RATINGS (Frequencies below 40 Mc.)

D-C PLATE VOLTAGE	3000 MAX. VOLTS
D-C PLATE CURRENT	225 MAX. MA.
PLATE DISSIPATION	75 MAX. WATTS
GRID DISSIPATION	13 MAX. WATTS

TYPICAL OPERATION (Frequencies below 40 Mc.)

D-C Plate Voltage	1000	1500	2000	volts
D-C Plate Current	215	167	150	ma.
Plate Dissipation	75	75	75	watts
D-C Grid Voltage	-150	-250	-300	volts
D-C Grid Current	28	22	21	ma.
Peak R-F Grid Input Voltage (approx.)	320	355	425	volts
Driving Power, (approx.)	8	6	8	watts
Plate Power Input	215	250	300	watts
Plate Power Output	140	175	225	watts

AUDIO FREQUENCY POWER AMPLIFIER AND MODULATOR

Class-AB₁ (Sinusoidal wave, two tubes unless otherwise specified)

MAXIMUM RATINGS

D-C PLATE VOLTAGE	3000 MAX. VOLTS
MAX-SIGNAL D-C PLATE CURRENT, PER TUBE	225 MAX. MA.
PLATE DISSIPATION, PER TUBE	75 MAX. WATTS

¹ The effective grid-circuit resistance for each tube must not exceed 250,000 ohms.

AUDIO FREQUENCY AMPLIFIER (Continued)

TYPICAL OPERATION

D-C Plate Voltage	1500	2000	volts
D-C Grid Voltage	-105	-160	volts
Peak A-F Grid Input Voltage (per tube)	105	160	volts
Zero-Signal D-C Plate Current	67	50	ma.
Max-Signal D-C Plate Current	143	130	ma.
Driving Power	0	0	watt
Effective Load, Plate-to-Plate	10,200	21,200	ohms
Max-Signal Plate Power Output	64	110	watts
Max-Signal Plate Dissipation (per tube)	75	75	watts

AUDIO FREQUENCY POWER AMPLIFIER AND MODULATOR

Class-B (Sinusoidal wave, two tubes unless otherwise specified)

MAXIMUM RATINGS

D-C PLATE VOLTAGE	3000 MAX. VOLTS
MAX-SIGNAL D-C PLATE CURRENT, PER TUBE	225 MAX. MA.
PLATE DISSIPATION, PER TUBE	75 MAX. WATTS
GRID DISSIPATION, PER TUBE	13 MAX. WATTS

TYPICAL OPERATION

D-C Plate Voltage	1000	1500	2000	volts
D-C Grid Voltage	-65	-105	-160	volts
Peak A-F Grid Input Voltage (per tube)	205	225	267	volts
Zero-Signal D-C Plate Current	100	67	50	ma.
Max-Signal D-C Plate Current	350	285	250	ma.
Max-Signal Avg. Driving Power (approx.)	7	6	5	watts
Max-Signal Peak Driving Power	26	23	19	watts
Effective Load, Plate-to-Plate	5,300	11,000	18,000	ohms
Max-Signal Plate Power Output	200	280	350	watts
Max-Signal Plate Dissipation (per tube)	75	75	75	watts

APPLICATION

MECHANICAL

Mounting—The 75TL must be mounted vertically, base up or base down. Flexible connecting straps should be provided between the grid and plate terminals and the external grid and plate circuits. The tube must be protected from severe vibration and shock.

Cooling—Provision should be made for ample circulation of air around the 75TL. In the event that the design of the equipment restricts natural circulation, a small fan or centrifugal blower should be used to provide additional cooling for the envelope and plate and grid seals.

ELECTRICAL

Filament Voltage—The filament voltage, as measured directly at the filament pins, should be between 4.75 and 5.25 volts.

Bias Voltage—Although there is no maximum limit on the bias voltage which may be used on the 75TL, there is little advantage in using bias voltages in excess of those given under "Typical Operation," except in certain very specialized applications. Where bias is obtained by a grid leak, suitable protective means must be provided to prevent excessive plate dissipation in the event of loss of excitation.

Plate Voltage—The plate-supply voltage for the 75TL should not exceed 3000 volts. In most cases there is little advantage in using plate-supply voltages higher than those given under "Typical Operation" for the power output desired.

Grid Dissipation—The power dissipated by the grid of the 75TL must not exceed 13 watts. Grid dissipation may be calculated from the following expression:

$$P_g = e_{emp} I_c$$

where P_g = Grid dissipation,

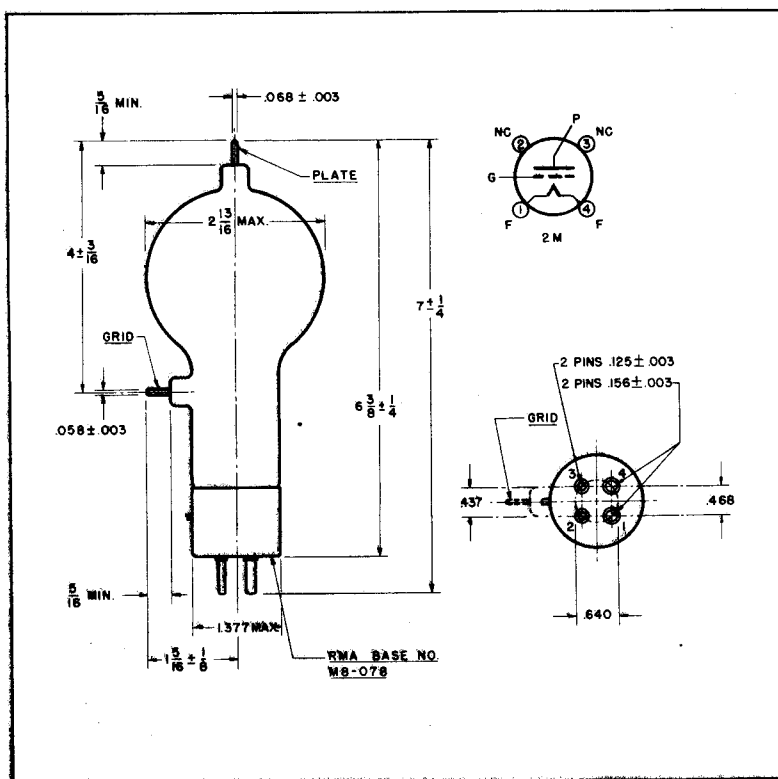
e_{emp} = Peak positive grid voltage, and

I_c = D-c grid current.

e_{emp} may be measured by means of a suitable peak voltmeter connected between filament and grid.² In equipment in which the plate loading varies widely, such as oscillators used for radio-frequency heating, care should be taken to make certain that the grid dissipation does not exceed the maximum rating under any condition of loading.

Plate Dissipation—Under normal operating conditions, the power dissipated by the plate of the 75TL should not be allowed to exceed 75 watts. Plate dissipation in excess of the maximum rating is permissible for short periods of time, such as during tuning procedures.

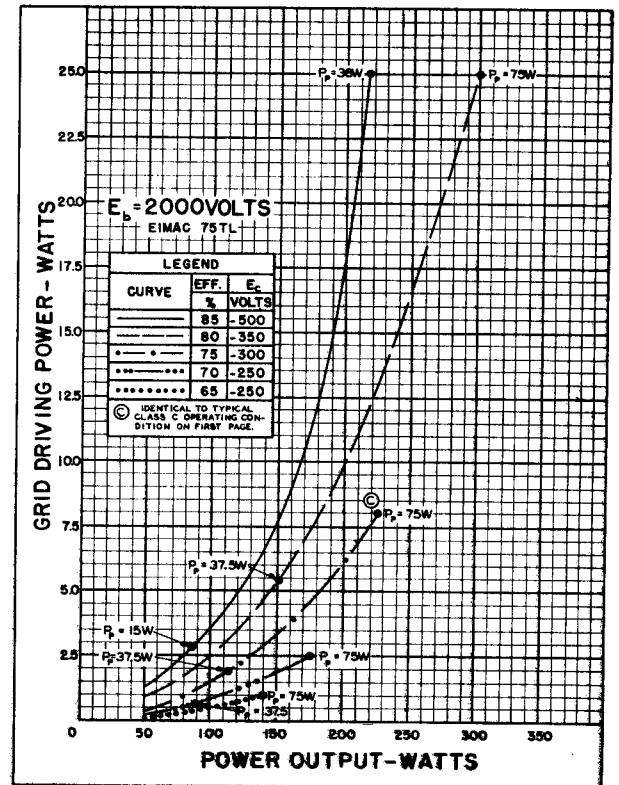
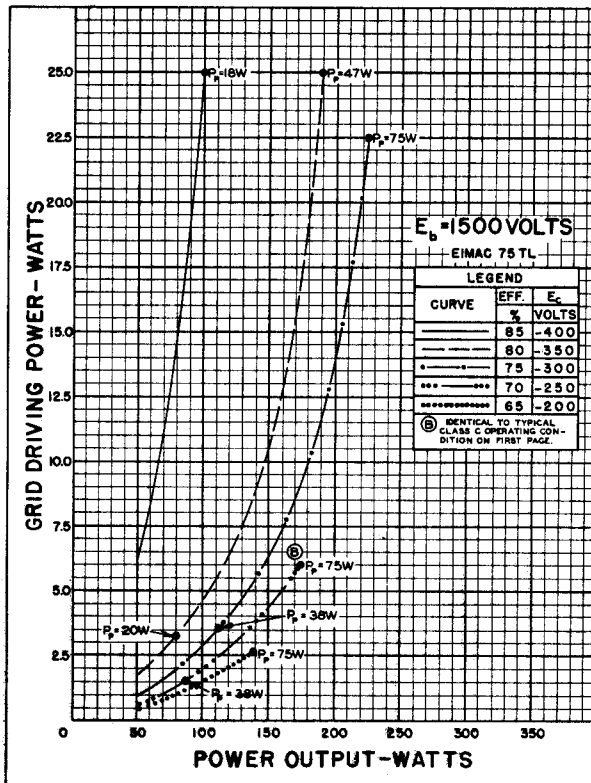
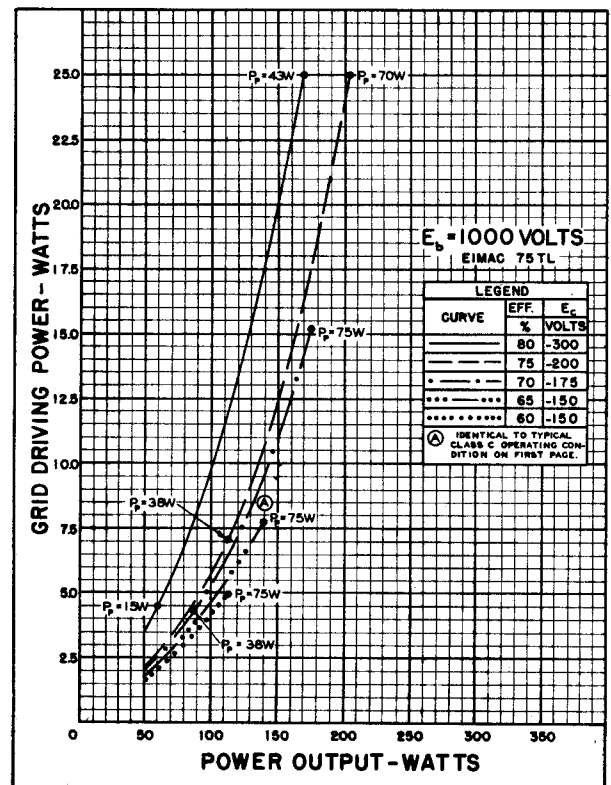
² For suitable peak v.t.v.m. circuits see, for instance, "Vacuum Tube Ratings," Eimac News, January, 1945. This article is available in reprint form on request.

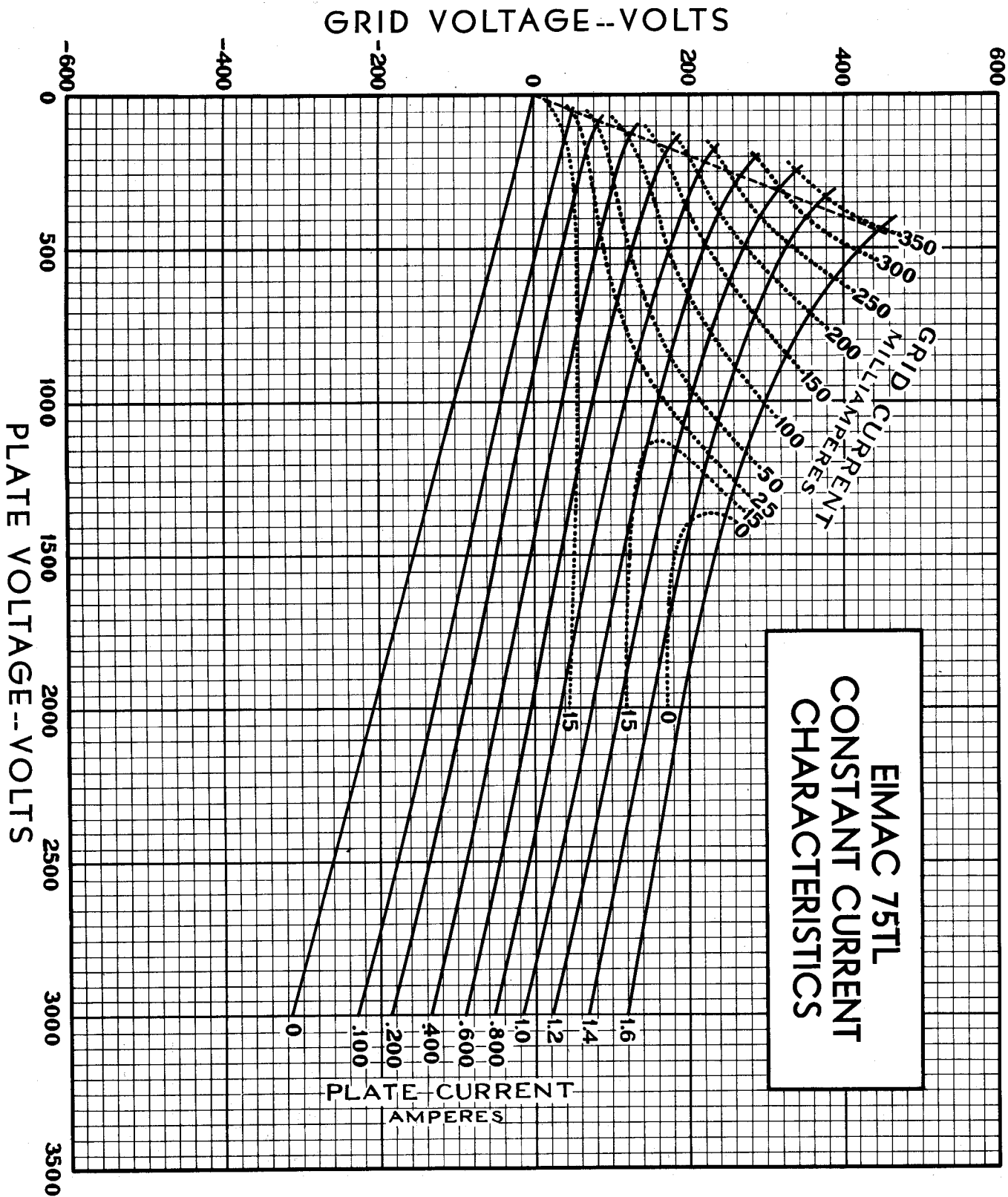


DRIVING POWER vs. POWER OUTPUT

The three charts on this page show the relationship of plate efficiency, power output and grid driving power at plate voltages of 1000, 1500 and 2000 volts. These charts show combined grid and bias losses only. The driving power and power output figures do not include circuit losses. The plate dissipation in watts is indicated by P_p .

Points A, B, and C are identical to the typical Class C operating conditions shown on the first page under 1000, 1500, and 2000 volts respectively.





EITEL-McCULLOUGH, INC.
 SAN BRUNO, CALIFORNIA

2 C 3 9
 HIGH-MU TRIODE

The Eimac 2C39 is a high-mu, forced-air cooled, external-anode transmitting triode incorporating features which make it useful at frequencies well into the U. H. F. range, as well as at lower frequencies. Its small size, rugged construction, unusually high transconductance, and relatively high plate dissipation permit the design of compact equipment of moderate power output for either fixed or mobile applications.

The grid of the Eimac 2C39 terminates in a ring interposed between the plate and cathode-heater terminals, and the heater and cathode are provided with a concentric, cylindrical stem structure, facilitating its use in "grid isolation" amplifiers with cavity-type tank circuits.

GENERAL CHARACTERISTICS

ELECTRICAL

Cathode: Coated Unipotential	
Heater Voltage - - - - -	6.3 volts
Heater Current - - - - -	1.1 amperes
Amplification Factor (Average) - - - - -	100
Direct Interelectrode Capacitances (Average)	
Grid-Plate - - - - -	1.95 $\mu\mu\text{fd.}$
Grid-Cathode - - - - -	6.50 $\mu\mu\text{fd.}$
Plate-Cathode - - - - -	0.030 $\mu\mu\text{fd.}$
Transconductance ($i_b=75 \text{ ma.}, E_b=600 \text{ v.}$) (Average) -	17,000 μmhos

MECHANICAL

Maximum Overall Dimensions:	
Length - - - - -	2.75 inches
Diameter - - - - -	1.26 inches
Net Weight - - - - -	2.8 ounces
Shipping Weight (Average) - - - - -	7 ounces

RADIO FREQUENCY POWER AMPLIFIER

Class-C FM Telephony or Telegraphy (Key-down conditions, 1 tube)

MAXIMUM RATINGS (Frequencies below 500 Mc.)

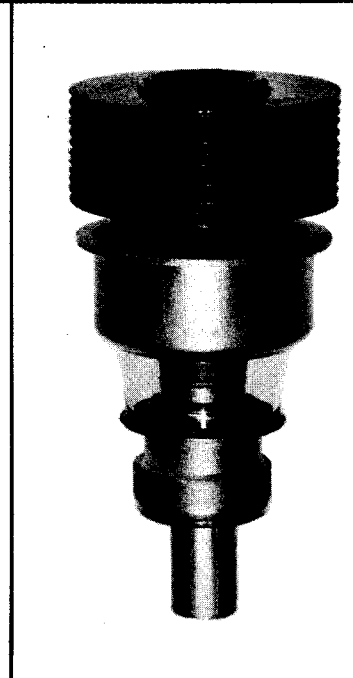
D-C PLATE VOLTAGE - - - - -	1000 MAX. VOLTS
D-C CATHODE CURRENT - - - - -	100 MAX. MA.
D-C GRID VOLTAGE - - - - -	-150 MAX. VOLTS
PEAK POSITIVE R-F GRID VOLTAGE - - - - -	30 MAX. VOLTS
PEAK NEGATIVE R-F GRID VOLTAGE - - - - -	-400 MAX. VOLTS
PLATE DISSIPATION ¹ - - - - -	100 MAX. WATTS
GRID DISSIPATION - - - - -	3 MAX. WATTS

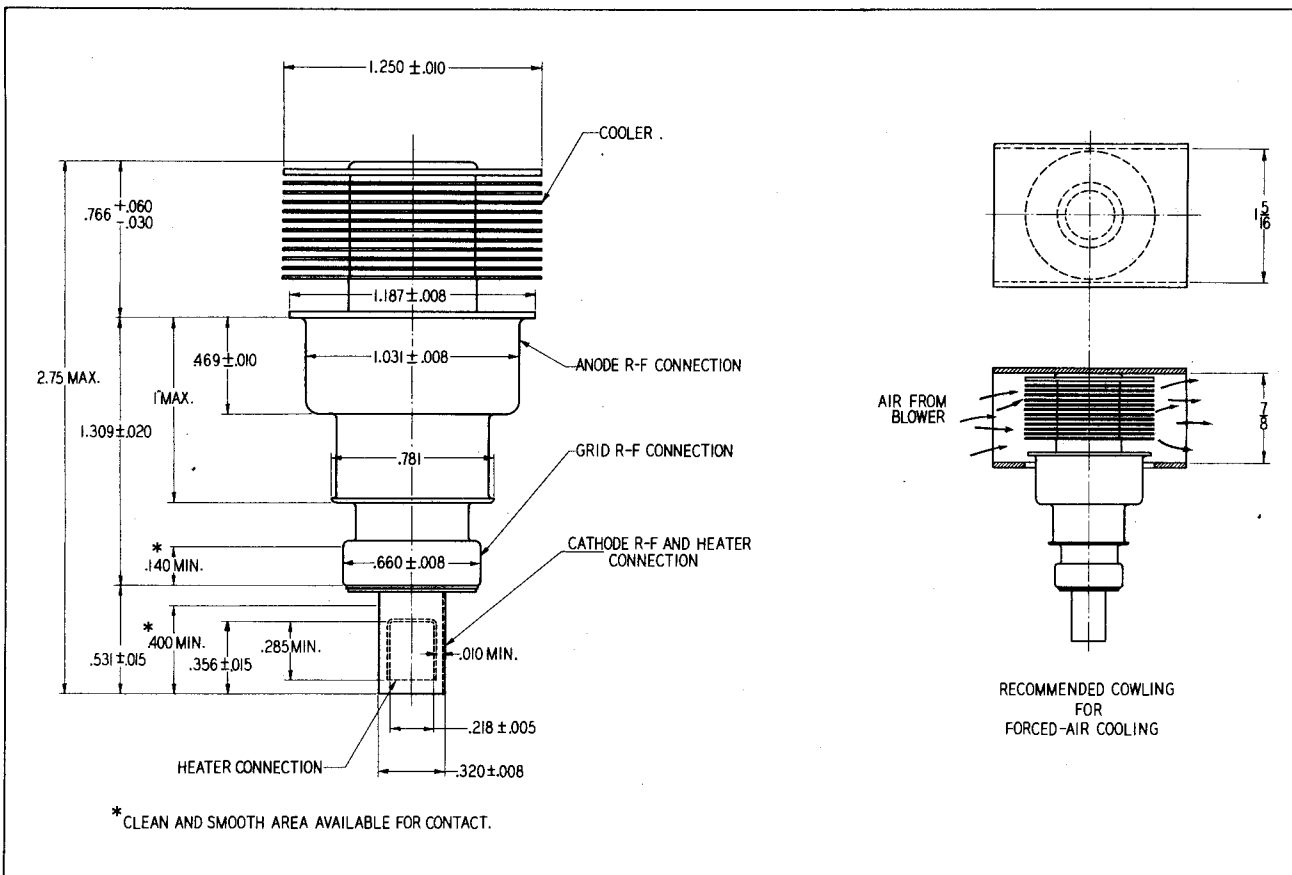
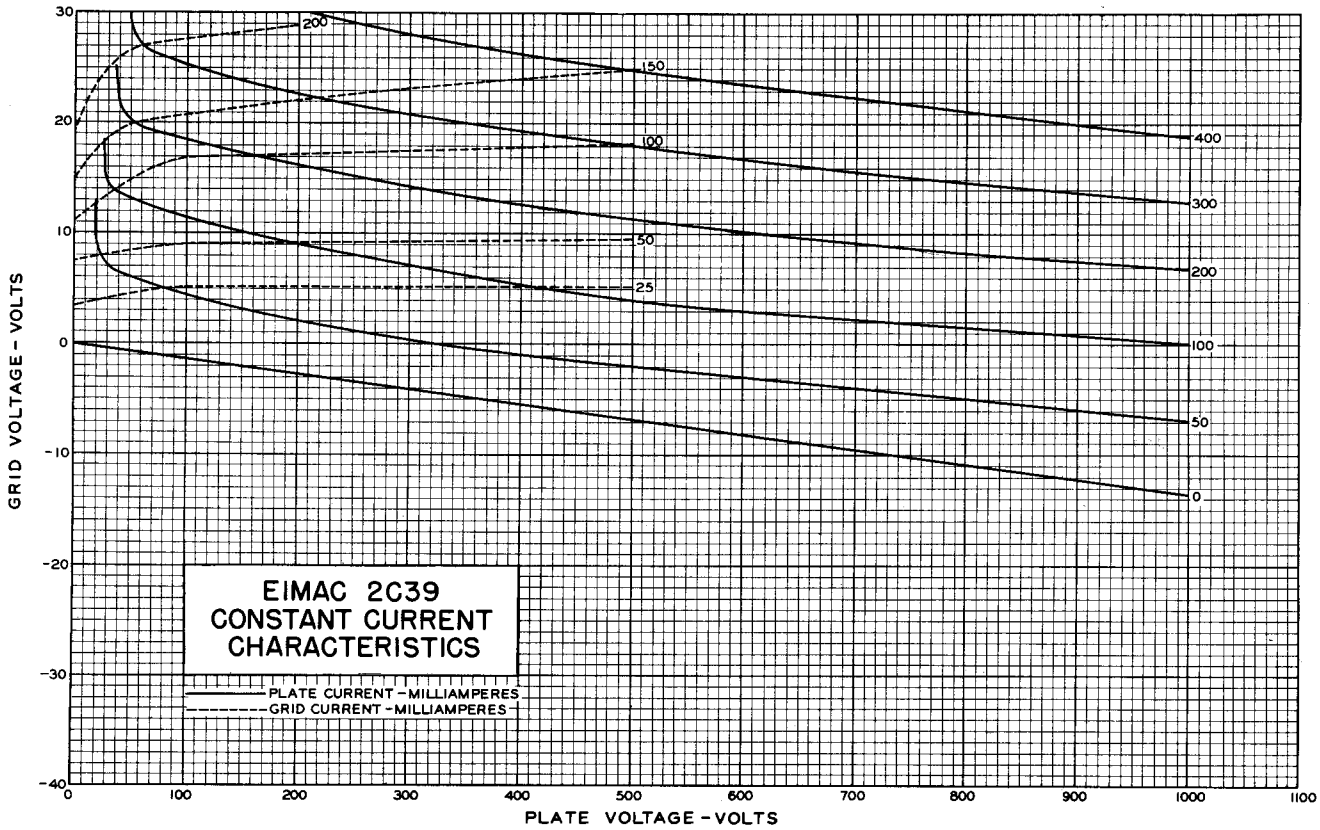
TYPICAL OPERATION (400 Mc.)

"Grid Isolation" Circuit

D-C Plate Voltage - - - - -	600 volts
D-C Plate Current - - - - -	60 ma.
D-C Grid Voltage - - - - -	-35 volts
D-C Grid Current - - - - -	40 ma.
Driving Power (approx.) - - - - -	5 watts
Useful Power Output - - - - -	20 watts

¹ Forced-air cooling required. 12 cubic feet of air per minute must be passed through plate cooler. Maximum plate dissipation without forced-air cooling = 12 watts.





EITEL-McCULLOUGH, INC.

SAN BRUNO, CALIFORNIA

100TH
HIGH-MU TRIODE
MODULATOR
OSCILLATOR
AMPLIFIER

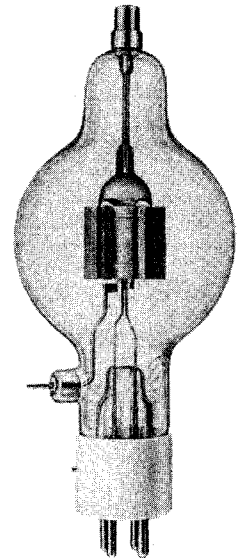
GENERAL CHARACTERISTICS

ELECTRICAL

Filament: Thoriated tungsten		
Voltage - - - - -	5.0	volts
Current - - - - -	6.3	amperes
Amplification Factor (Average) - - - - -	40	
Direct Interelectrode Capacitances (Average)		
Grid-Plate - - - - -	2.0	$\mu\mu\text{f}$
Grid-Filament - - - - -	2.9	$\mu\mu\text{f}$
Plate-Filament - - - - -	0.4	$\mu\mu\text{f}$
Transconductance ($I_p=200 \text{ ma.}, E_b=3000, e_c=-15$)	5500	μmhos

MECHANICAL

Base - - -	(Medium 4-pin bayonet, ceramic)	RMA type M8-078
Basing - - -		RMA type 2M
Maximum Overall Dimensions:		
Length - - - - -	7.75	inches
Diameter - - - - -	3.19	inches
Net weight - - - - -	4	ounces
Shipping weight (Average) - - - - -	1.5	pounds



AUDIO FREQUENCY POWER AMPLIFIER AND MODULATOR Class B

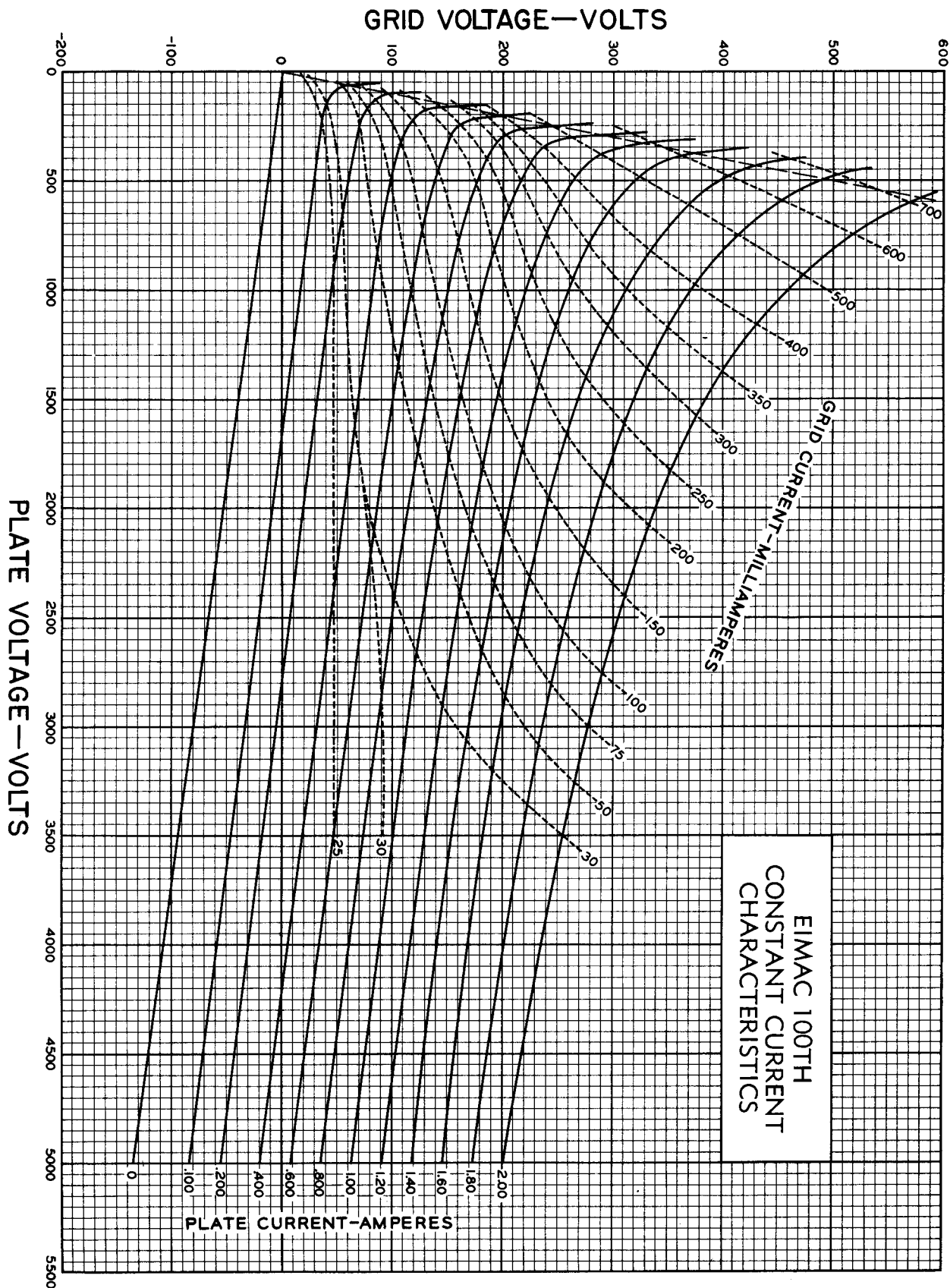
	TYPICAL OPERATION—2 TUBES			MAX. RATING
D-C Plate Voltage - - - - -	1500	2000	3000	3000 volts
Max.-Signal D-C Plate Current, per tube* - - -	•	•	•	225 ma.
Plate Dissipation, per tube* - - - - -	•	•	•	100 watts
D-C Grid Voltage (approx.) - - - - -	-20	-35	-65	volts
Peak A-F Grid Input Voltage - - - - -	290	310	335	volts
Zero-Signal D-C Plate Current - - - - -	80	60	40	ma.
Max.-Signal D-C Plate Current - - - - -	320	280	215	ma.
Max.-Signal Driving Power (approx.) - - - - -	7	7	5	watts
Effective Load, Plate-to-Plate - - - - -	8750	15000	31000	ohms
Max.-Signal Plate Power Output - - - - -	280	360	650	watts

*Averaged over any sinusoidal audio frequency cycle.

RADIO FREQUENCY POWER AMPLIFIER AND OSCILLATOR Class-C *Telegraphy (Key down conditions without modulation)

	TYPICAL OPERATION—1 TUBE			MAX. RATING
D-C Plate Voltage - - - - -	1500	2000	3000	3000 volts
D-C Plate Current - - - - -	190	165	165	225 ma.
D-C Grid Current - - - - -	48	39	51	60 ma.
D-C Grid Voltage - - - - -	-65	-80	-200	volts
Plate Power Output - - - - -	185	235	400	watts
Plate Input - - - - -	285	335	500	watts
Plate Dissipation - - - - -	100	100	100	100 watts
Peak R. F. Grid Input Voltage, (approx.) - - -	230	230	385	volts
Driving Power, (approx.) - - - - -	10	8	18	watts

*The above figures show actual measured tube performance, and do not allow for variations in circuit losses.

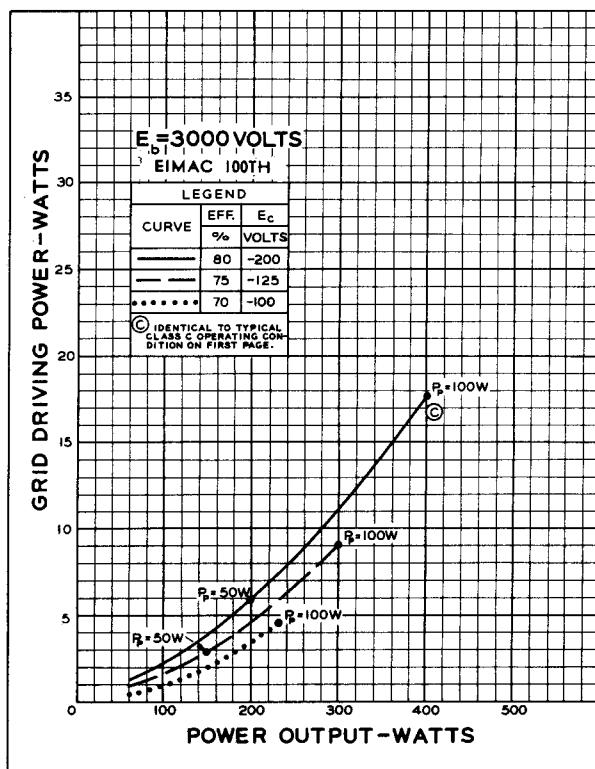
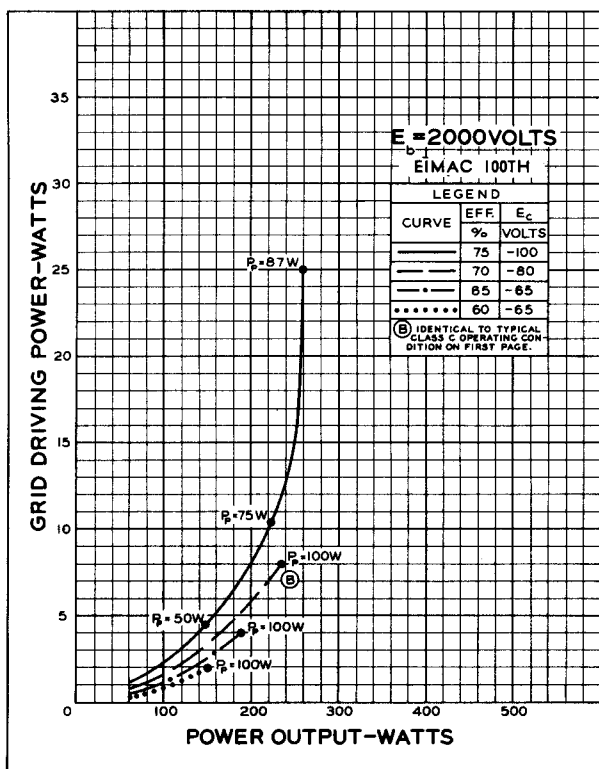
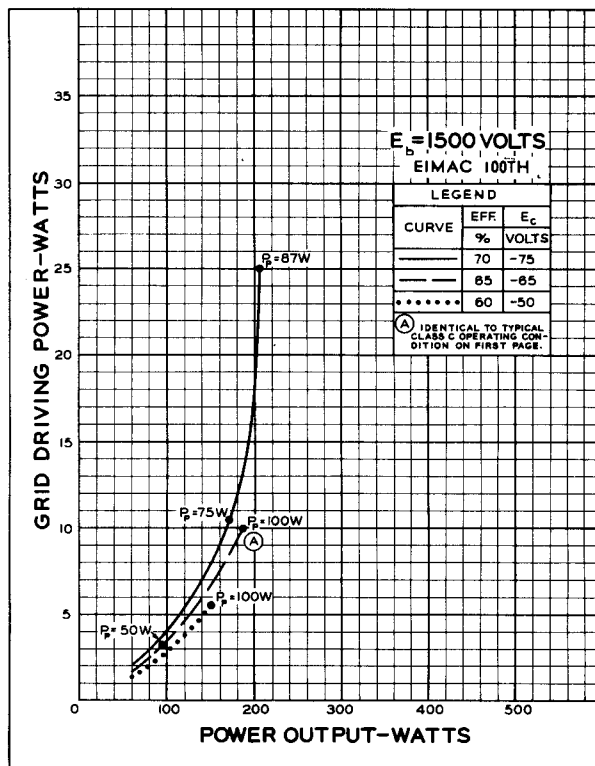


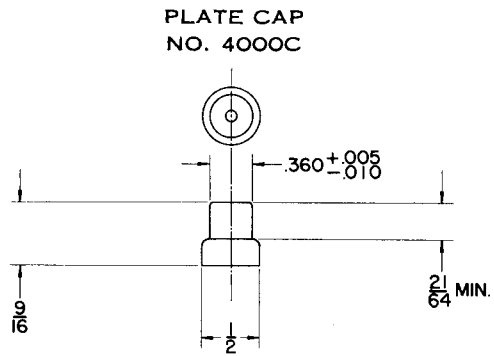
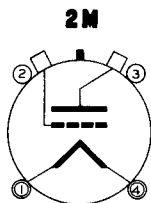
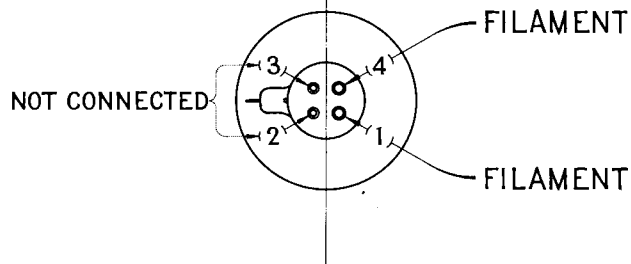
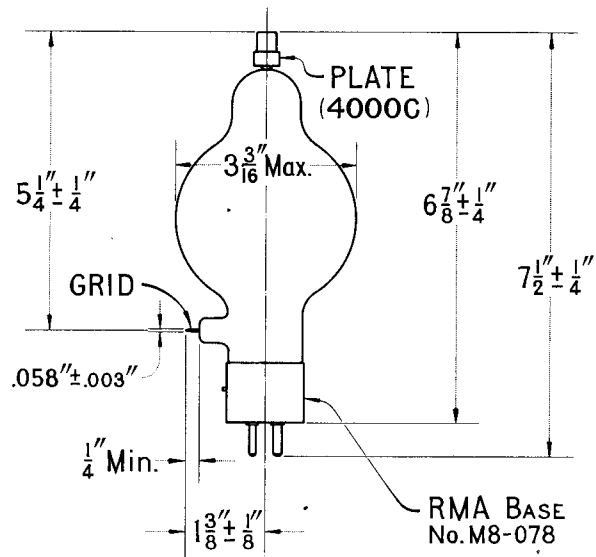
EIMAC 100TH
CONSTANT CURRENT
CHARACTERISTICS

DRIVING POWER vs. POWER OUTPUT

The three charts on this page show the relationship of plate efficiency, power output and grid driving power at plate voltages of 1500, 2000 and 3000 volts. These charts show combined grid and bias losses only. The driving power and power output figures do not include circuit losses. The plate dissipation in watts is indicated by P_p .

Points A, B, and C are identical to the typical Class C operating conditions shown on the first page under 1500, 2000, and 3000 volts respectively.





EITEL-McCULLOUGH, INC.

SAN BRUNO, CALIFORNIA

100T

LOW-MU TRIOD

MODULATOR
OSCILLATOR
AMPLIFIER

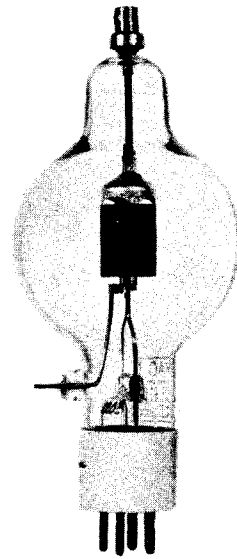
GENERAL CHARACTERISTICS

ELECTRICAL

Filament: Thoriated tungsten	
Voltage - - - - -	5.0 volts
Current - - - - -	6.3 amperes
Amplification Factor (Average) - - - - -	
	14
Direct Interelectrode Capacitances (Average)	
Grid-Plate - - - - -	2.0 $\mu\mu\text{f}$
Grid-Filament - - - - -	2.3 $\mu\mu\text{f}$
Plate-Filament - - - - -	0.4 $\mu\mu\text{f}$
Transconductance ($i_b = 225 \text{ ma.}, E_b = 3000\text{v.}, E_c = -160\text{v.}$)	
	2300 μmhos
Frequency for Maximum Ratings - - - - -	
	40 mc

MECHANICAL

Base - - - - -	(Medium 4-pin bayonet, ceramic)	RMA type M8-078
Basing - - - - -		RMA type 2M
Maximum Overall Dimensions:		
Length - - - - -		7.75 inches
Diameter - - - - -		3.19 inches
Net weight - - - - -		
		4 ounces
Shipping weight (Average) - - - - -		
		1.5 pounds



AUDIO FREQUENCY POWER AMPLIFIER AND MODULATOR Class B

	TYPICAL OPERATION—2 TUBES			MAX. RATING
	1500	2000	3000	
D-C Plate Voltage - - - - -	1500	2000	3000	3000 volts
Max.-Signal D-C Plate Current, per tube* - - - - -	•	•	•	225 ma.
Plate Dissipation, per tube* - - - - -	•	•	•	100 watts
D-C Grid Voltage (approx.) - - - - -	-65	-110	-185	volts
Peak A-F Grid Input Voltage - - - - -	.470	.540	.640	volts
Zero-Signal D-C Plate Current - - - - -	80	60	40	ma.
Max.-Signal D-C Plate Current - - - - -	320	280	215	ma.
Max.-Signal Driving Power (approx.) - - - - -	8	7	6	watts
Effective Load, Plate-to-Plate - - - - -	8750	15000	30000	ohms
Max.-Signal Plate Power Output - - - - -	280	360	450	watts

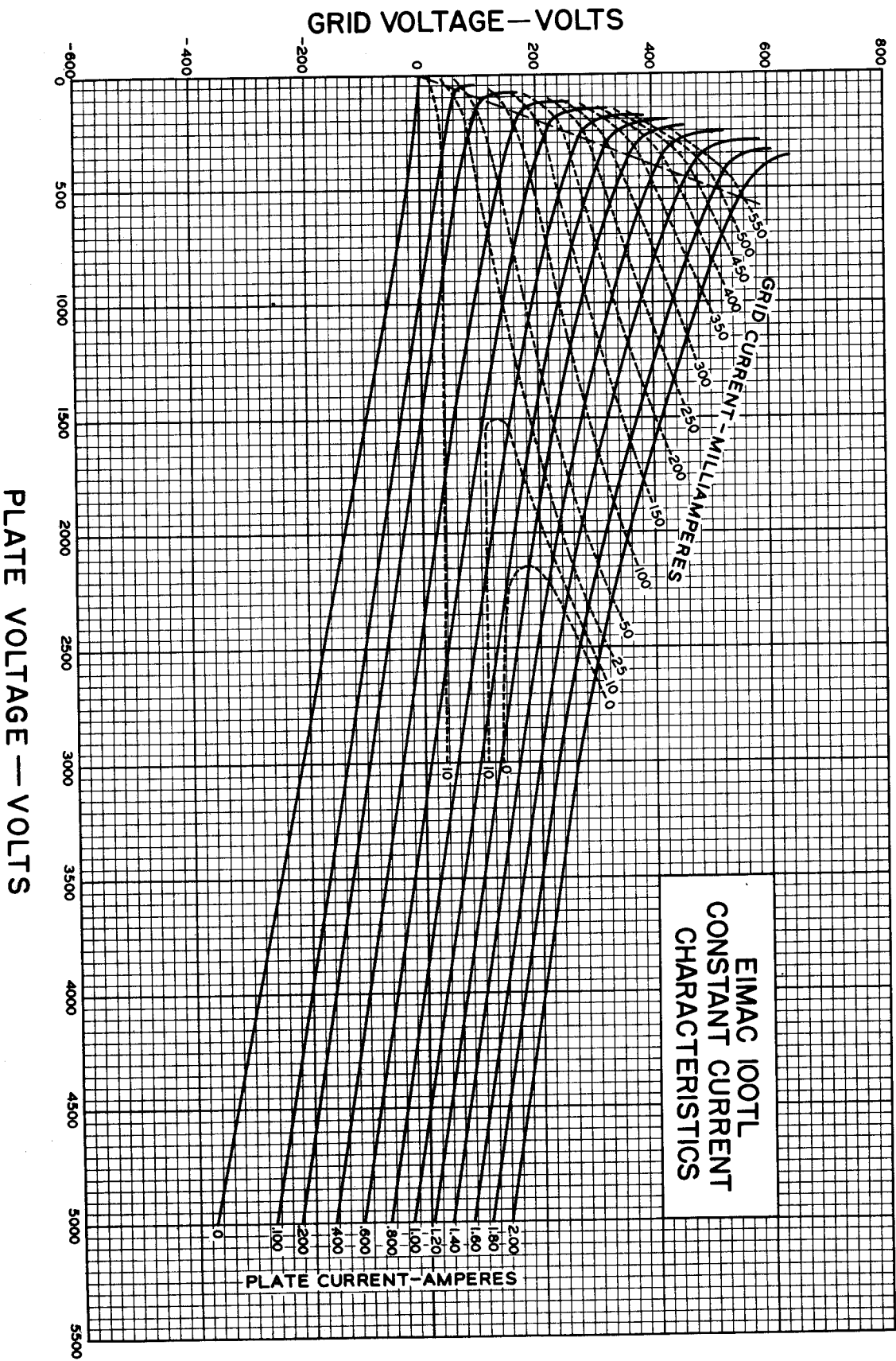
*Averaged over any sinusoidal audio frequency cycle.

RADIO FREQUENCY POWER AMPLIFIER AND OSCILLATOR Class-C *Telegraphy

(Key down conditions without modulation)

	TYPICAL OPERATION—1 TUBE			MAX. RATING
	1500	2000	3000	
D-C Plate Voltage - - - - -	1500	2000	3000	3000 volts
D-C Plate Current - - - - -	190	165	165	225 ma.
D-C Grid Current - - - - -	37	28	30	50 ma.
D-C Grid Voltage - - - - -	-175	-225	-400	volts
Plate Power Output - - - - -	185	235	400	watts
Plate Input - - - - -	285	335	500	watts
Plate Dissipation - - - - -	100	100	100	100 watts
Peak R. F. Grid Input Voltage, (approx.) - - - - -	425	450	650	volts
Driving Power, (approx.) - - - - -	14	11	20	watts

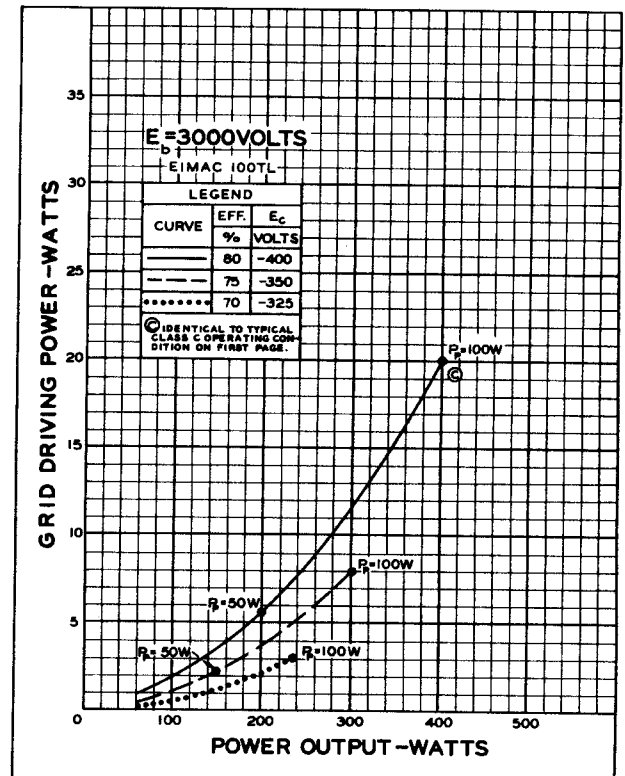
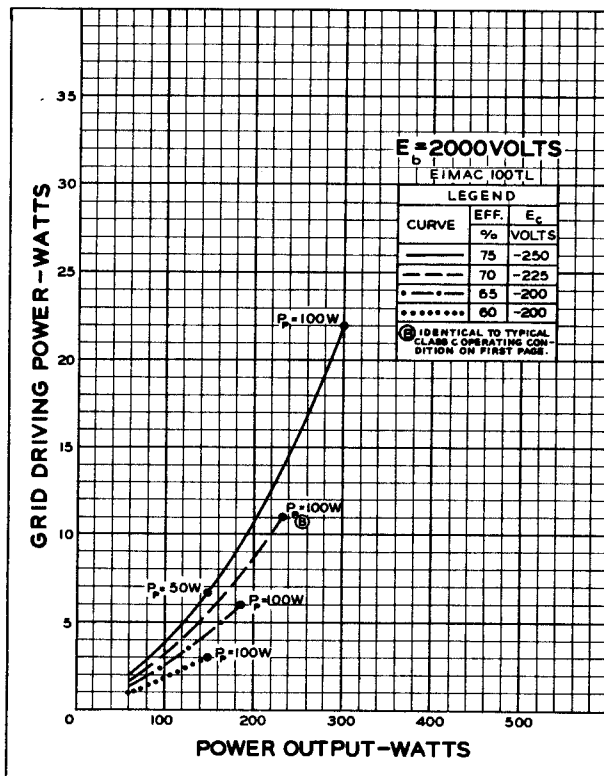
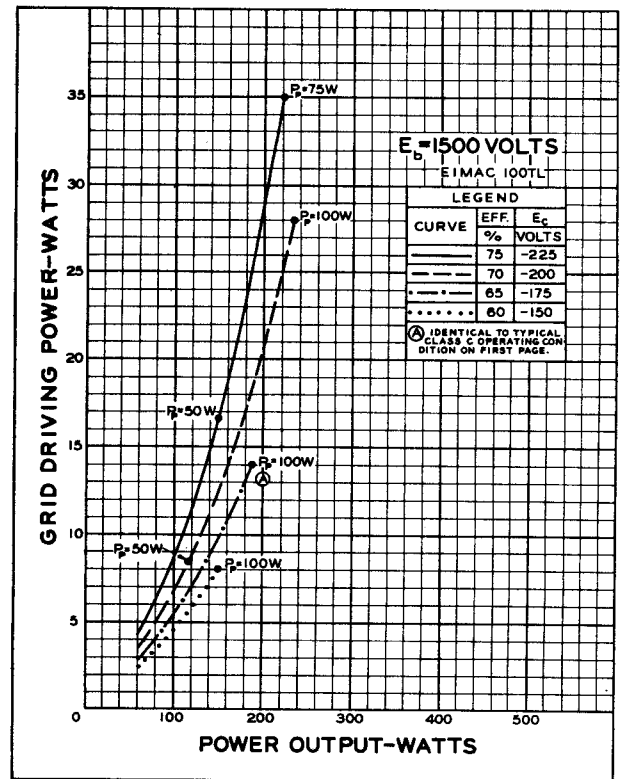
*The above figures show actual measured tube performance, and do not allow for variations in circuit losses.

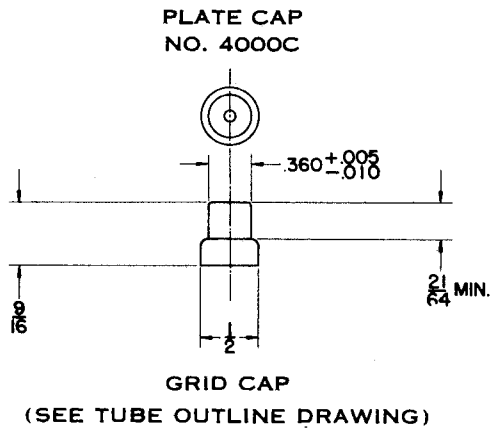
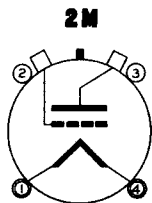
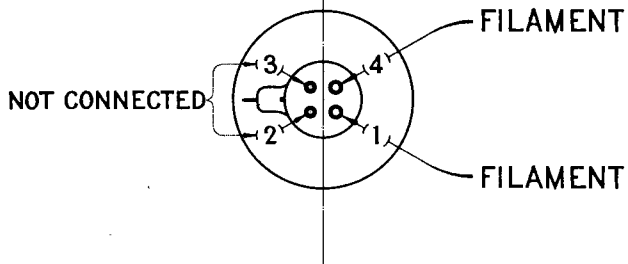
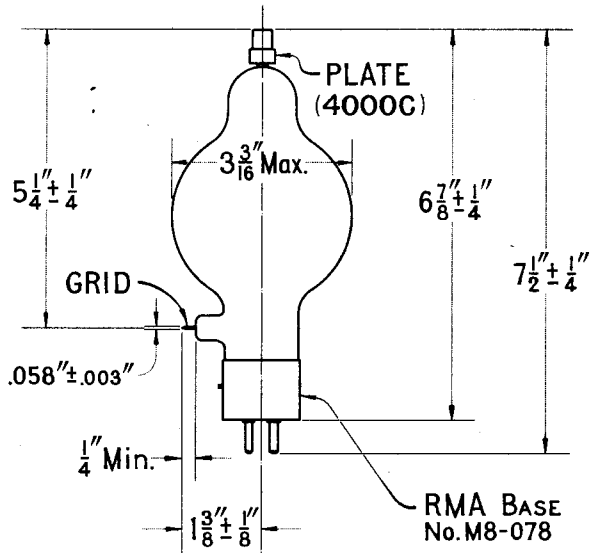


DRIVING POWER vs. POWER OUTPUT

The three charts on this page show the relationship of plate efficiency, power output and grid driving power at plate voltages of 1500, 2000 and 3000 volts. These charts show combined grid and bias losses only. The driving power and power output figures do not include circuit losses. The plate dissipation in watts is indicated by P_p .

Points A, B, and C are identical to the typical Class C operating conditions shown on the first page under 1500, 2000, and 3000 volts respectively.





Eitel
EITEL-McCULLOUGH, INC.
 SAN BRUNO, CALIFORNIA

152 TH

MEDIUM-MU TRIOD

MODULATOR
 OSCILLATOR
 AMPLIFIER

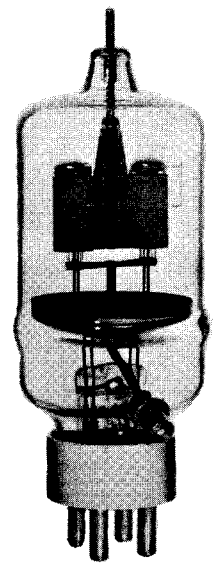
GENERAL CHARACTERISTICS

ELECTRICAL

Filament: Thoriated tungsten	
Voltage - - - - -	5.0 or 10.0 volts
Current - - - - -	12.5 or 6.25 amperes
Amplification Factor (Average) - - - - -	20
Direct Interelectrode Capacitances (Average)	
Grid-Plate - - - - -	4.8 $\mu\mu\text{f}$
Grid-Filament - - - - -	5.7 $\mu\mu\text{f}$
Plate-Filament - - - - -	0.8 $\mu\mu\text{f}$
Transconductance ($i_b = 500 \text{ ma.}$, $E_b = 3000 \text{ v.}$, $E_c = -40 \text{ v.}$)	8300 μmhos
Frequency for Maximum Ratings - - - - -	40 mc

MECHANICAL

Base - - - - -	Special 4 pin, No. 5000B
Basing - - - - -	RMA type 4BC
Maximum Overall Dimensions:	
Length - - - - -	7.625 inches
Diameter - - - - -	2.563 inches
Net weight - - - - -	7 ounces
Shipping weight (Average) - - - - -	2.0 pounds



AUDIO FREQUENCY POWER AMPLIFIER AND MODULATOR

Class B

	TYPICAL OPERATION—2 TUBES			MAX. RATING
	1500	2000	3000	
D-C Plate Voltage - - - - -	1500	2000	3000	3000 volts
Max.-Signal D-C Plate Current, per tube* - -	•	•	•	450 ma.
Plate Dissipation, per tube* - - - - -	•	•	•	150 watts
D-C Grid Voltage (approx.) - - - - -	-65	-90	-150	volts
Peak A-F Grid Input Voltage - - - - -	340	350	430	volts
Zero-Signal D-C Plate Current - - - - -	133	100	67	ma.
Max.-Signal D-C Plate Current - - - - -	535	450	335	ma.
Max.-Signal Driving Power (approx.) - - - -	9	6	3	watts
Effective Load, Plate-to-Plate - - - - -	5700	9600	20300	ohms
Max.-Signal Plate Power Output - - - - -	500	600	700	watts

*Averaged over any sinusoidal audio frequency cycle.

RADIO FREQUENCY POWER AMPLIFIER AND OSCILLATOR

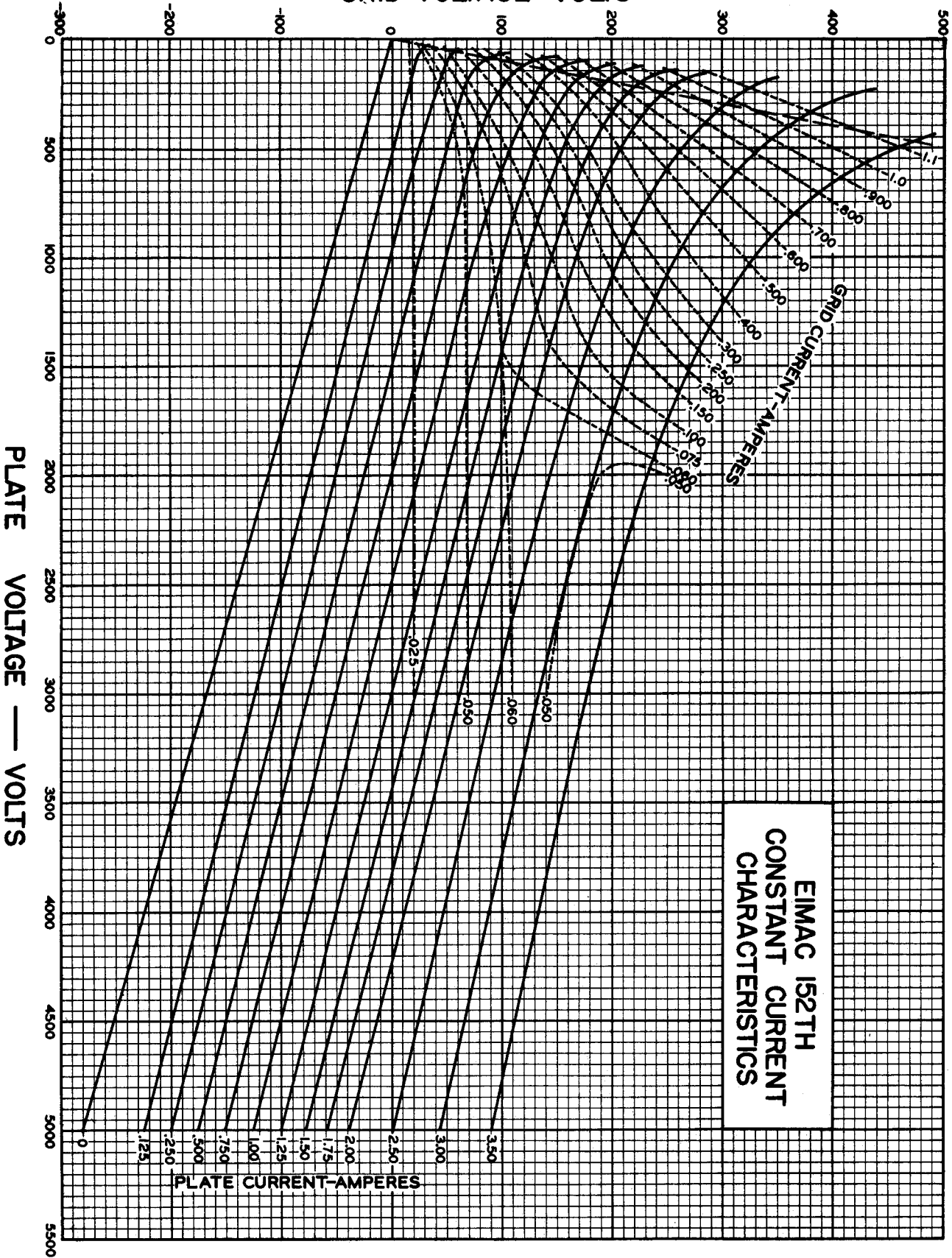
Class-C *Telegraphy

(Key down conditions without modulation)

	TYPICAL OPERATION—1 TUBE			MAX. RATING
	1500	2000	3000	
D-C Plate Voltage - - - - -	1500	2000	3000	3000 volts
D-C Plate Current - - - - -	333	300	250	450 ma.
D-C Grid Current - - - - -	58	74	70	85 ma.
D-C Grid Voltage - - - - -	-125	-200	-300	volts
Plate Power Output - - - - -	350	450	600	watts
Plate Input - - - - -	500	600	750	watts
Plate Dissipation - - - - -	150	150	150	150 watts
Peak R. F. Grid Input Voltage, (approx.) - -	267	334	410	volts
Driving Power, (approx.) - - - - -	13	20	27	watts

*The above figures show actual measured tube performance, and do not allow for variations in circuit losses.

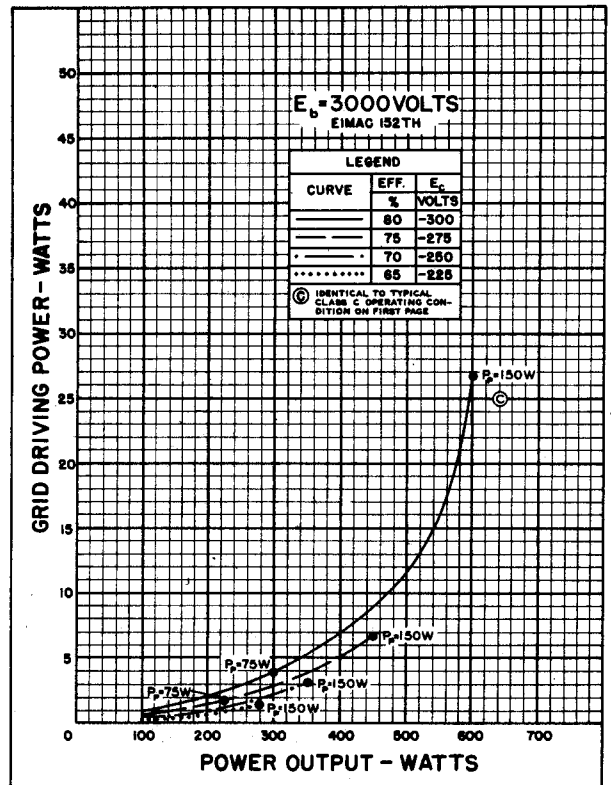
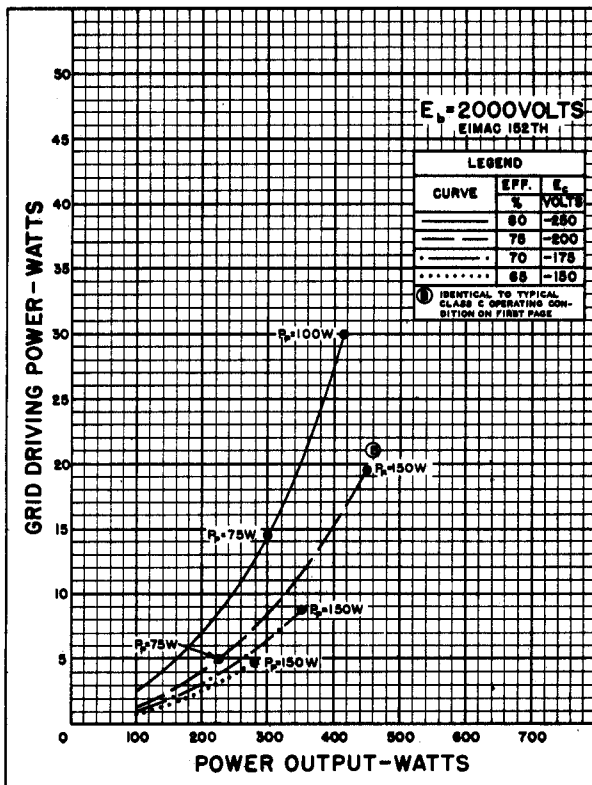
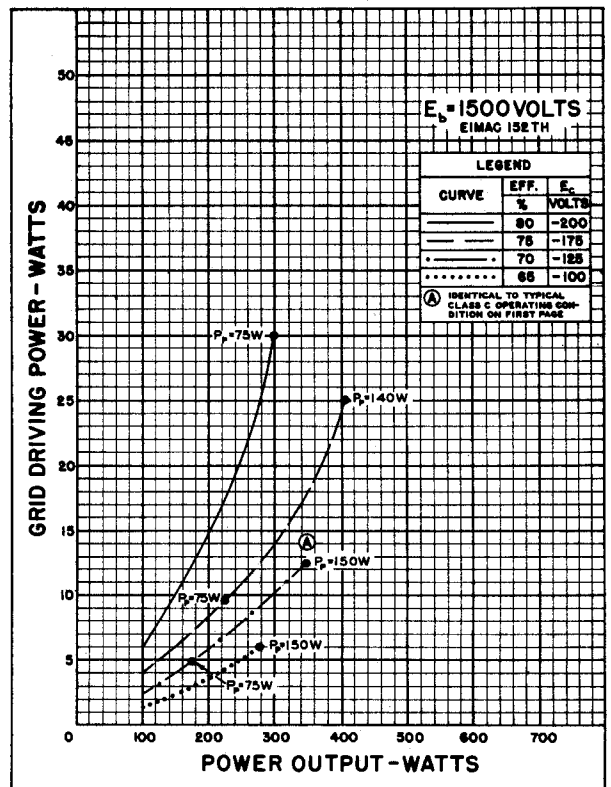
GRID VOLTAGE--VOLTS



DRIVING POWER vs. POWER OUTPUT

The three charts on this page show the relationship of plate efficiency, power output and grid driving power at plate voltages of 1500, 2000 and 3000 volts. These charts show combined grid and bias losses only. The driving power and power output figures do not include circuit losses. The plate dissipation in watts is indicated by P_p .

Points A, B, and C are identical to the typical Class C operating conditions shown on the first page under 1500, 2000, and 3000 volts respectively.



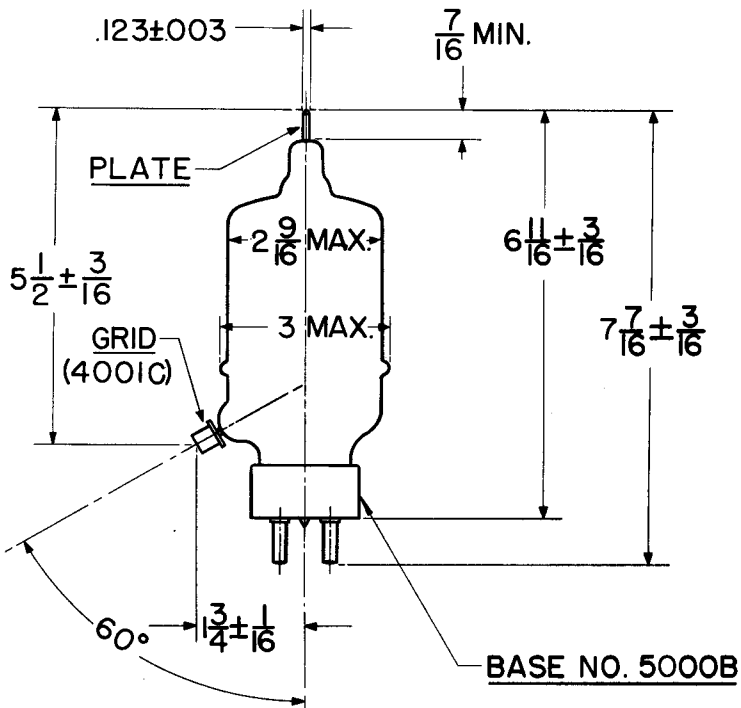
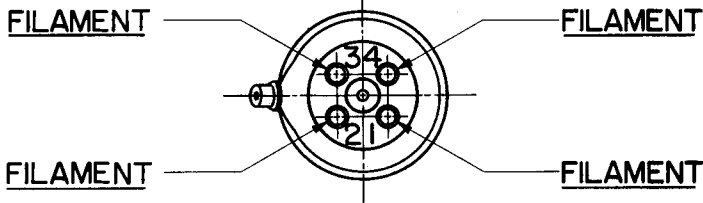
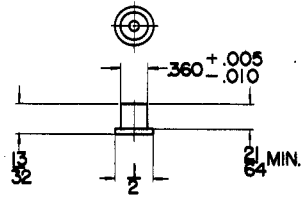
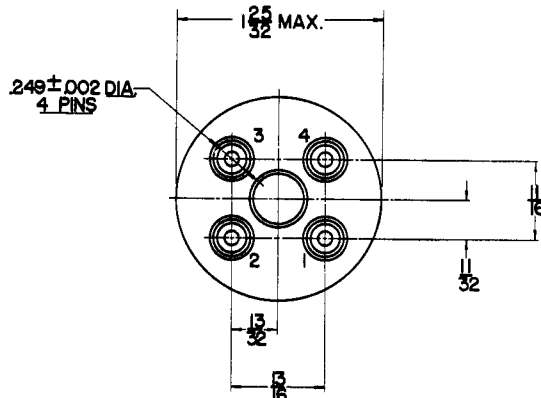
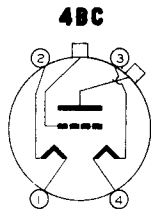
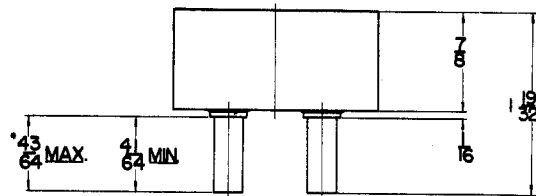


PLATE CAP
 (SEE TUBE OUTLINE DRAWING)

GRID CAP
 NO. 4001C



BASE NO. 5000B



*ON FINISHED TUBE ADD .060 FOR SOLDER

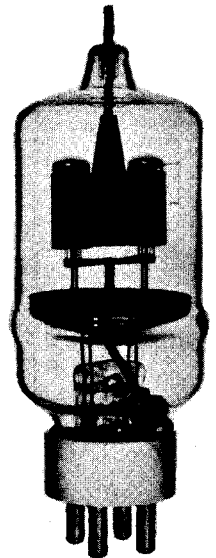
GENERAL CHARACTERISTICS

ELECTRICAL

Filament: Thoriated tungsten	
Voltage - - - - -	5.0 of 10.0 volts
Current - - - - -	12.5 or 6.25 amperes
Amplification Factor (Average) - - - - -	12
Direct Interelectrode Capacitances (Average)	
Grid-Plate - - - - -	4.4 $\mu\mu\text{f}$
Grid-Filament - - - - -	4.5 $\mu\mu\text{f}$
Plate-Filament - - - - -	0.7 $\mu\mu\text{f}$
Transconductance ($i_b = 500 \text{ ma.}, E_b = 3000 \text{ v.}, E_c = -85 \text{ v.}$)	7150 μmhos

MECHANICAL

Base - - - - -	Special 4 pin, No. 5000B
Basing - - - - -	RMA type 4BC
Maximum Overall Dimensions:	
Length - - - - -	7.625 inches
Diameter - - - - -	2.563 inches
Net weight - - - - -	7 ounces
Shipping weight (Average) - - - - -	2.0 pounds



AUDIO FREQUENCY POWER AMPLIFIER AND MODULATOR
Class B

	ZERO GRID CURRENT OPERATION—2 TUBES			TYPICAL OPERATION 2 TUBES			MAX. RATING	
	1500	2000	3000	1500	2000	3000		
D-C Plate Voltage - - - - -	1500	2000	3000	1500	2000	3000	3000	volts
Max.-Sig. D-C Plate Current, per tube*	•	•	•	•	•	•	450	ma.
Plate Dissipation, per tube* - - -	•	•	•	•	•	•	150	watts
D-C Grid Voltage (approx.) - - -	-105	-160	-260	-105	-160	-260		volts
Peak A-F Grid Input Voltage - - -	210	320	520	500	620	675		volts
Zero-Signal D-C Plate Current - -	135	100	65	135	100	65		ma.
Max.-Signal D-C Plate Current - -	286	260	220	570	500	335		ma.
Max.-Signal Driving Power (approx.)	0	0	0	15	13	3		watts
Effective Load, Plate-to-Plate - -	5100	10500	24000	5500	9000	20400		ohms
Max.-Signal Plate Power Output - -	130	220	370	560	700	700		watts

*Averaged over any sinusoidal audio frequency cycle.

RADIO FREQUENCY POWER AMPLIFIER AND OSCILLATOR
Class-C *Telegraphy

(Key down conditions without modulation)

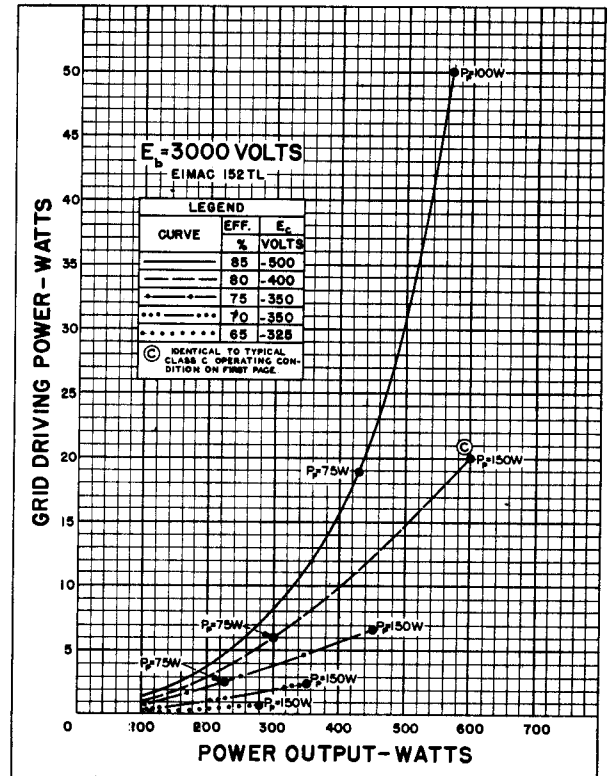
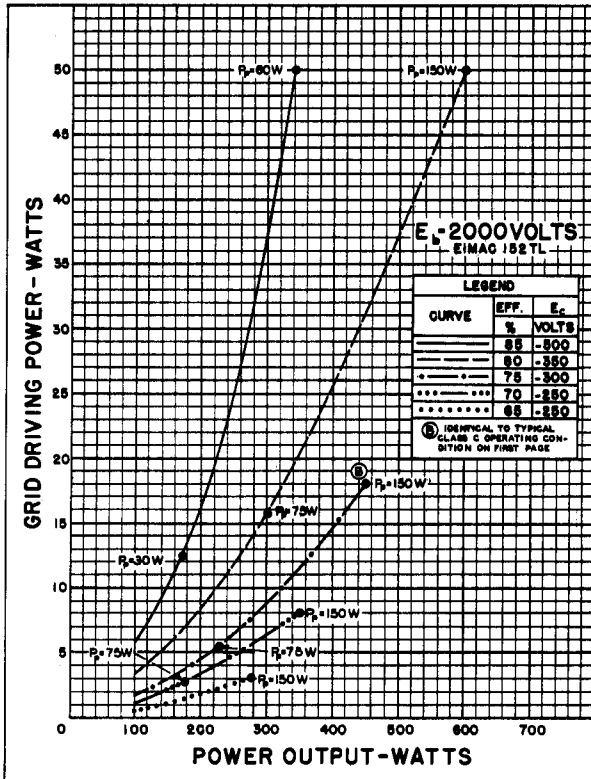
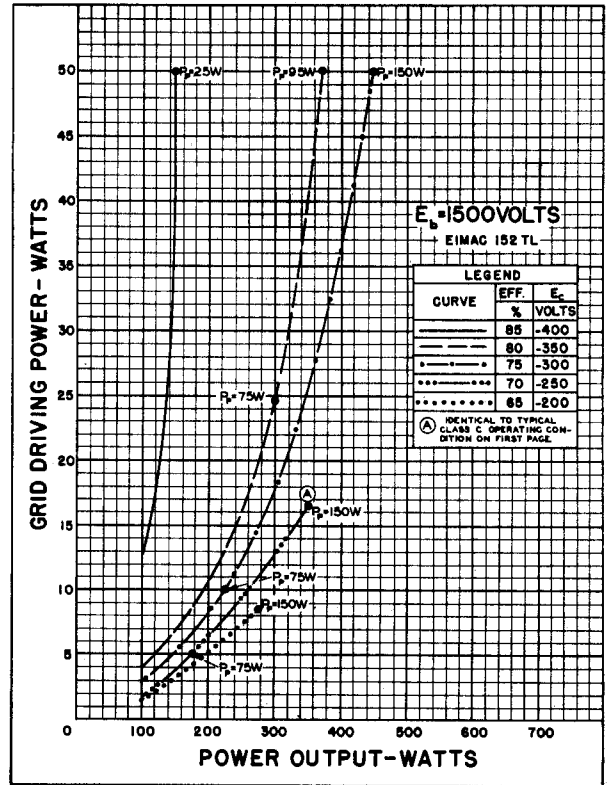
	TYPICAL OPERATION—1 TUBE			MAX. RATING	
	1500	2000	3000		
D-C Plate Voltage - - - - -	1500	2000	3000	3000	volts
D-C Plate Current - - - - -	333	300	250	450	ma.
D-C Grid Current - - - - -	45	42	40	75	ma.
D-C Grid Voltage - - - - -	-250	-300	-400		volts
Plate Power Output - - - - -	350	450	600		watts
Plate Input - - - - -	500	600	750		watts
Plate Dissipation - - - - -	150	150	150	150	watts
Peak R. F. Grid Input Voltage, (approx.) - -	400	455	550		volts
Driving Power, (approx.) - - - - -	.16	.18	.20		watts

*The above figures show actual measured tube performance, and do not allow for variations in circuit losses.

DRIVING POWER vs. POWER OUTPUT

The three charts on this page show the relationship of plate efficiency, power output and grid driving power at plate voltages of 1500, 2000 and 3000 volts. These charts show combined grid and bias losses only. The driving power and power output figures do not include circuit losses. The plate dissipation in watts is indicated by P_p .

Points A, B, and C are identical to the typical Class C operating conditions shown on the first page under 1500, 2000, and 3000 volts respectively.



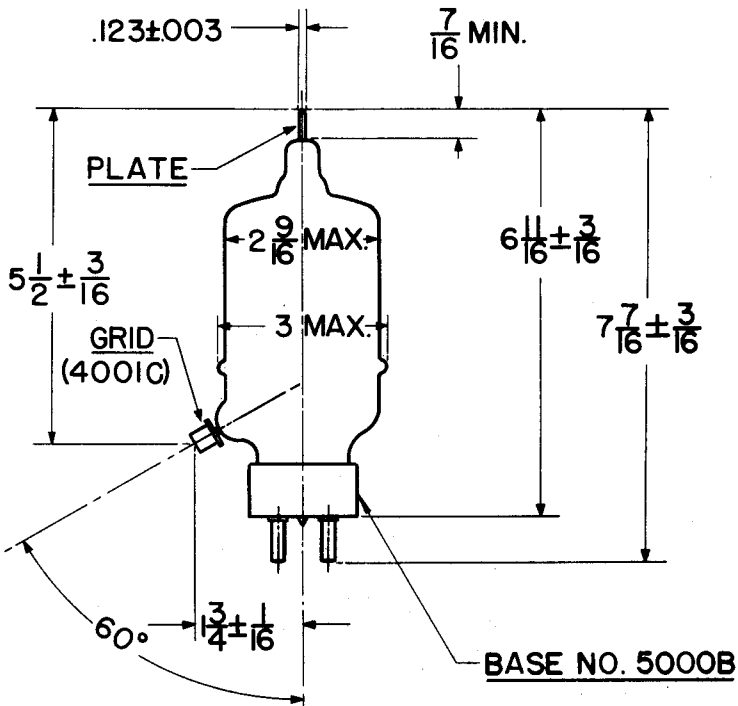
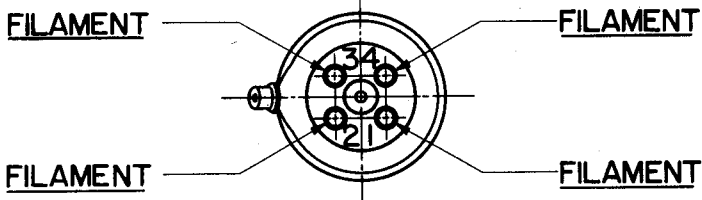
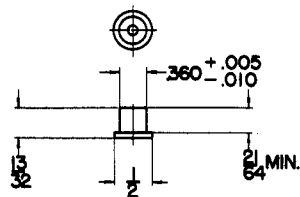
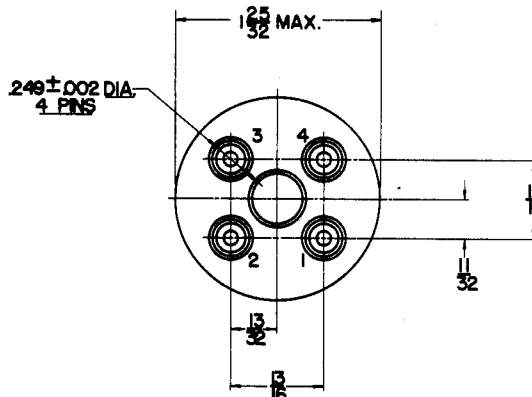
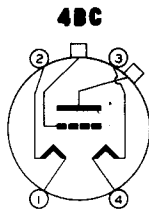
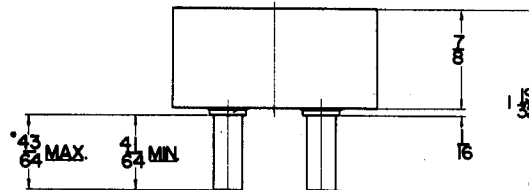


PLATE CAP
 (SEE TUBE OUTLINE DRAWING)

GRID CAP
 NO. 4001C



BASE NO. 5000B



*ON FINISHED TUBE ADD .060 FOR SOLDER

Eitel-McCullough
EITEL-McCULLOUGH, INC.
 SAN BRUNO, CALIFORNIA

250TH
 HIGH-MU TRIODE
 MODULATOR
 OSCILLATOR
 AMPLIFIER

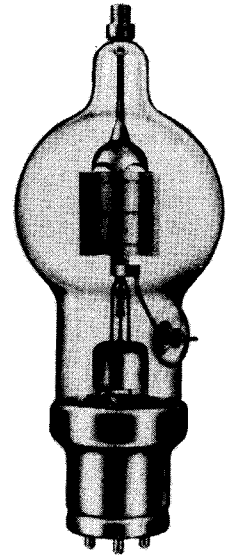
GENERAL CHARACTERISTICS

ELECTRICAL

Filament: Thoriated tungsten		
Voltage - - - - -	5.0	volts
Current - - - - -	10.5	amperes
Amplification Factor (Average) - - - - -		37
Direct Interelectrode Capacitances (Average)		
Grid-Plate - - - - -	2.9	uuf
Grid-Filament - - - - -	5.0	uuf
Plate-Filament - - - - -	0.7	uuf
Transconductance ($I_b=300$ ma., $E_b=3000$, $e_c=-20$)	6650	umhos
Frequency for Maximum Ratings - - - - -	40	mc.

MECHANICAL

Base - - - - -	4 pin, No. 5001B
Basing - - - - -	RMA type 2N
Maximum Overall Dimensions:	
Length - - - - -	10.125 inches
Diameter - - - - -	3.813 inches
Net weight - - - - -	12 ounces
Shipping weight (Average) - - - - -	2.25 pounds



AUDIO FREQUENCY POWER AMPLIFIER AND MODULATOR

Class B

	TYPICAL OPERATION—2 TUBES			MAX. RATING	
	1500	2000	3000		
D-C Plate Voltage - - - - -	1500	2000	3000	3000	volts
Max.-Signal D-C Plate Current, per tube* - -	•	•	•	350	ma.
Plate Dissipation, per tube* - - - - -	•	•	•	250	watts
D-C Grid Voltage (approx.) - - - - -	0	-30	-65		volts
Peak A-F Grid Input Voltage - - - - -	410	460	460		volts
Zero-Signal D-C Plate Current - - - - -	220	140	100		ma.
Max.-Signal D-C Plate Current - - - - -	700	700	560		ma.
Max.-Signal Driving Power (approx.) - - - -	36	34	24		watts
Effective Load, Plate-to-Plate - - - - -	4300	6000	12250		ohms
Max.-Signal Plate Power Output - - - - -	650	900	1150		watts

*Averaged over any sinusoidal audio frequency cycle.

RADIO FREQUENCY POWER AMPLIFIER AND OSCILLATOR

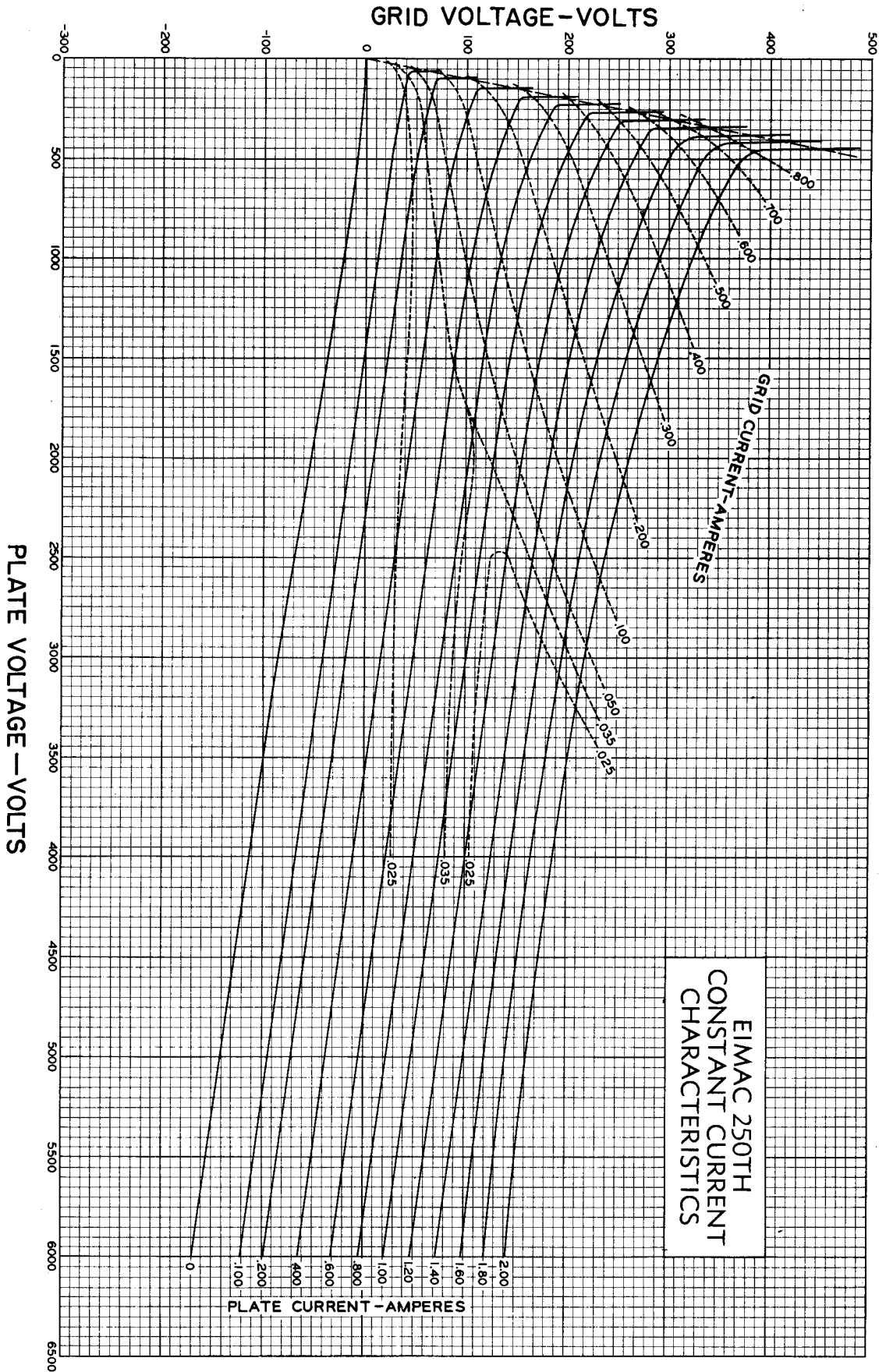
Class-C *Telegraphy

(Key down conditions without modulation)

	TYPICAL OPERATION—1 TUBE			MAX. RATING	
	2000	3000	4000		
D-C Plate Voltage - - - - -	2000	3000	4000	4000	volts
D-C Plate Current - - - - -	357	333	313	350	ma.
D-C Grid Current - - - - -	94	90	93	100	ma.
D-C Grid Voltage - - - - -	-100	-150	-220		volts
Plate Power Output - - - - -	464	750	1000		watts
Plate Input - - - - -	714	1000	1250		watts
Plate Dissipation - - - - -	250	250	250	250	watts
Peak R. F. Grid Input Voltage, (approx.) - -	345	395	470		volts
Driving Power, (approx.) - - - - -	29	32	39		watts

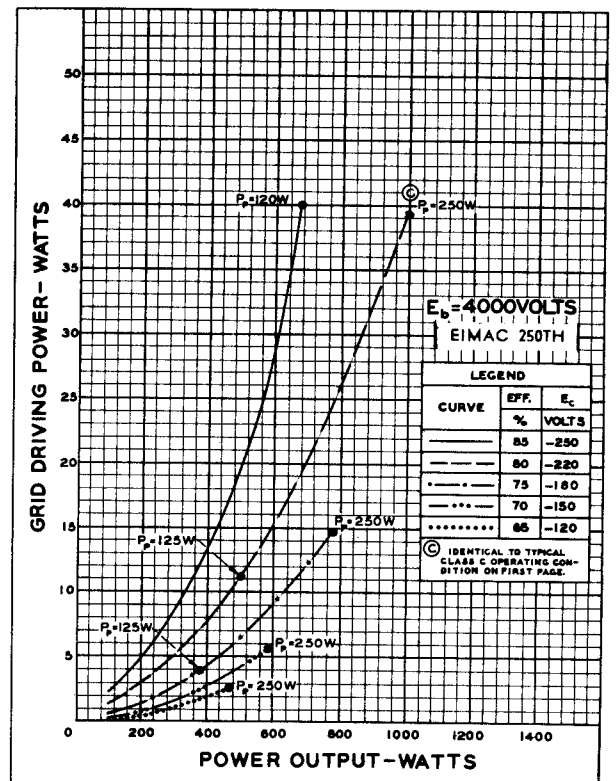
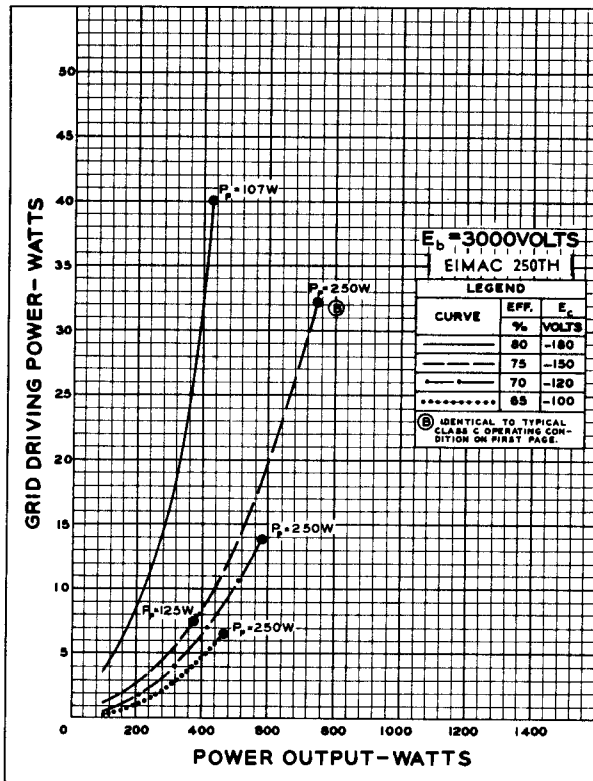
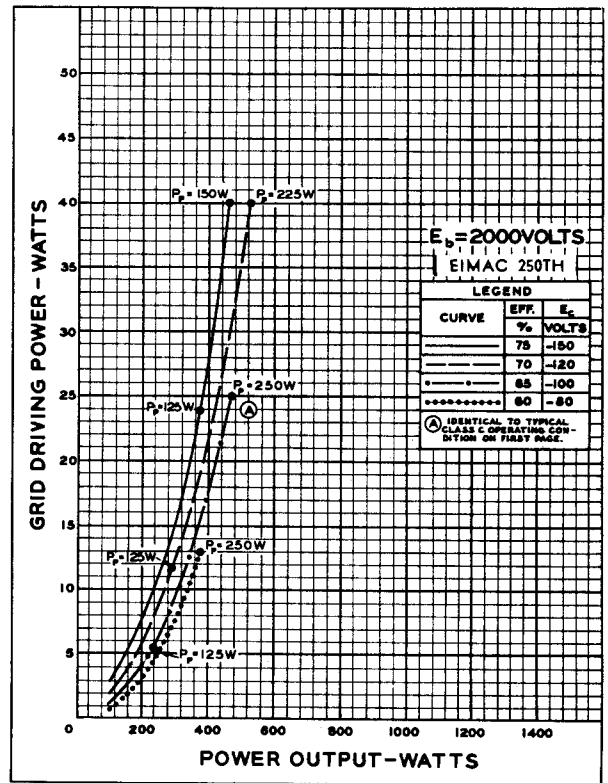
*The above figures show actual measured tube performance, and do not allow for variations in circuit losses.

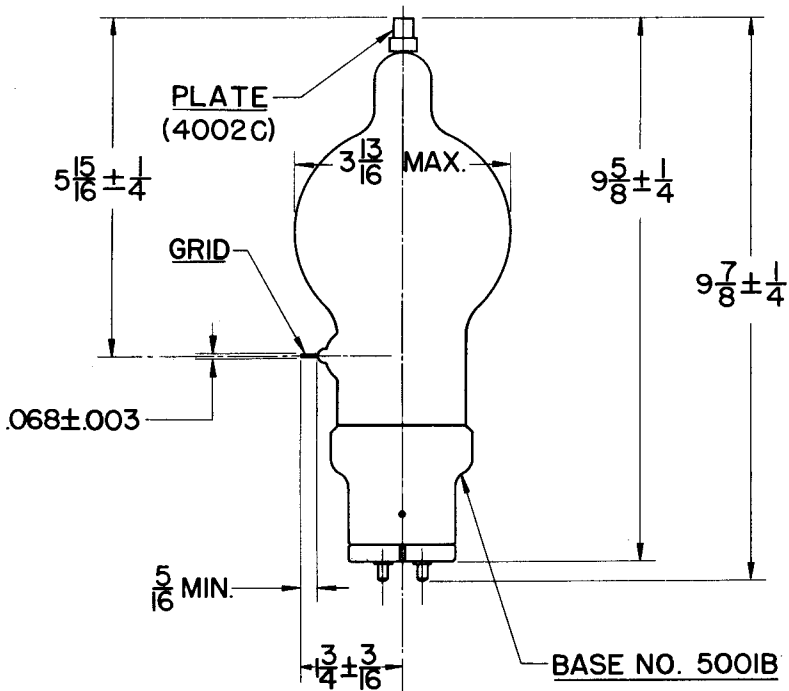
(Effective 10-17-44) Copyright, 1946 by Eitel-McCullough, Inc.



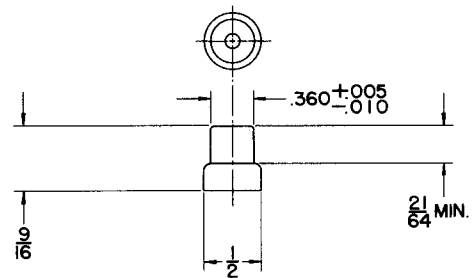
DRIVING POWER vs. POWER OUTPUT

The three charts on this page show the relationship of plate efficiency, power output and grid driving power at plate voltages of 2000, 3000, and 4000 volts. These charts show combined grid and bias losses only. The driving power and power output figures do not include circuit losses. Points A, B, and C are identical to the typical Class C operating conditions shown on the first page under 2000, 3000, and 4000 volts respectively.



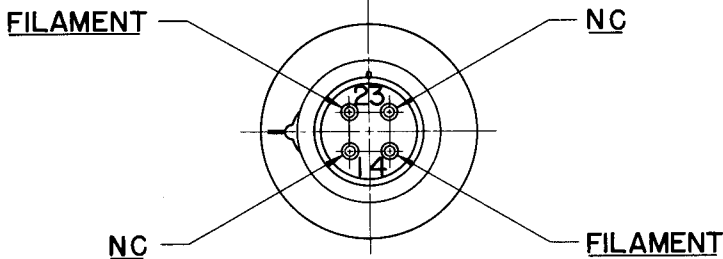


CAPS
 PLATE
 CAP NO. 4002C

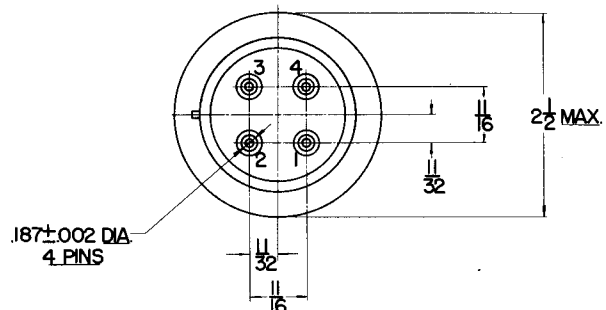
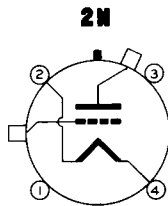
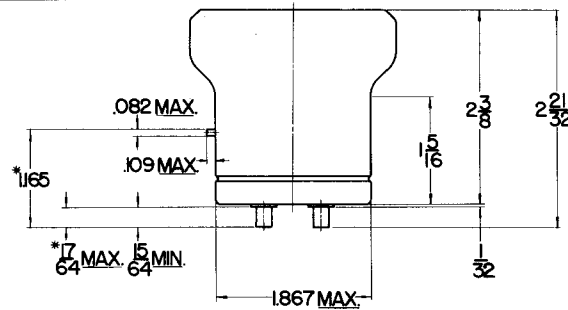


GRID

(SEE TUBE OUTLINE DRAWING)



BASE NO. 500IB



*ON FINISHED TUBE ADD .060 FOR SOLDER.

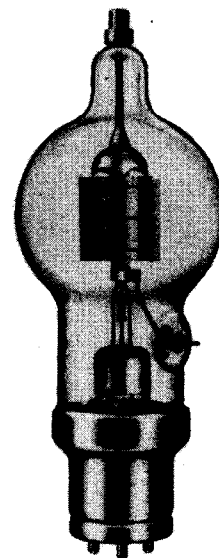
GENERAL CHARACTERISTICS

ELECTRICAL

Filament: Thoriated tungsten	
Voltage - - - - -	5.0 volts
Current - - - - -	10.5 amperes
Amplification Factor (Average) - - - - -	14
Direct Interelectrode Capacitances (Average)	
Grid-Plate - - - - -	3.1 $\mu\mu\text{f}$
Grid-Filament - - - - -	3.7 $\mu\mu\text{f}$
Plate-Filament - - - - -	0.7 $\mu\mu\text{f}$
Transconductance ($I_b=350 \text{ ma.}, E_b=3000, e_c=-130$)	2650 μmhos
Frequency for Maximum Ratings - - - - -	40 mc

MECHANICAL

Base - - - - -	4 pin, No. 5001B
Basing - - - - -	RMA type 2N
Maximum Overall Dimensions:	
Length - - - - -	10.125 inches
Diameter - - - - -	3.813 inches
Net weight - - - - -	12 ounces
Shipping weight (Average) - - - - -	2.25 pounds



AUDIO FREQUENCY POWER AMPLIFIER AND MODULATOR

Class B

	TYPICAL OPERATION—2 TUBES			MAX. RATING
D-C Plate Voltage - - - - -	1500	2000	3000	3000 volts
Max.-Signal D-C Plate Current, per tube* - - - - -	•	•	•	350 ma.
Plate Dissipation, per tube* - - - - -	•	•	•	250 watts
D-C Grid Voltage (approx.) - - - - -	-40	-80	-175	volts
Peak A-F Grid Input Voltage - - - - -	770	800	840	volts
Zero-Signal D-C Plate Current - - - - -	200	150	100	ma.
Max.-Signal D-C Plate Current - - - - -	700	650	500	ma.
Max.-Signal Driving Power (approx.) - - - - -	32	28	17	watts
Effective Load, Plate-to-Plate - - - - -	3700	6150	13000	ohms
Max.-Signal Plate Power Output - - - - -	580	800	1000	watts

*Averaged over any sinusoidal audio frequency cycle.

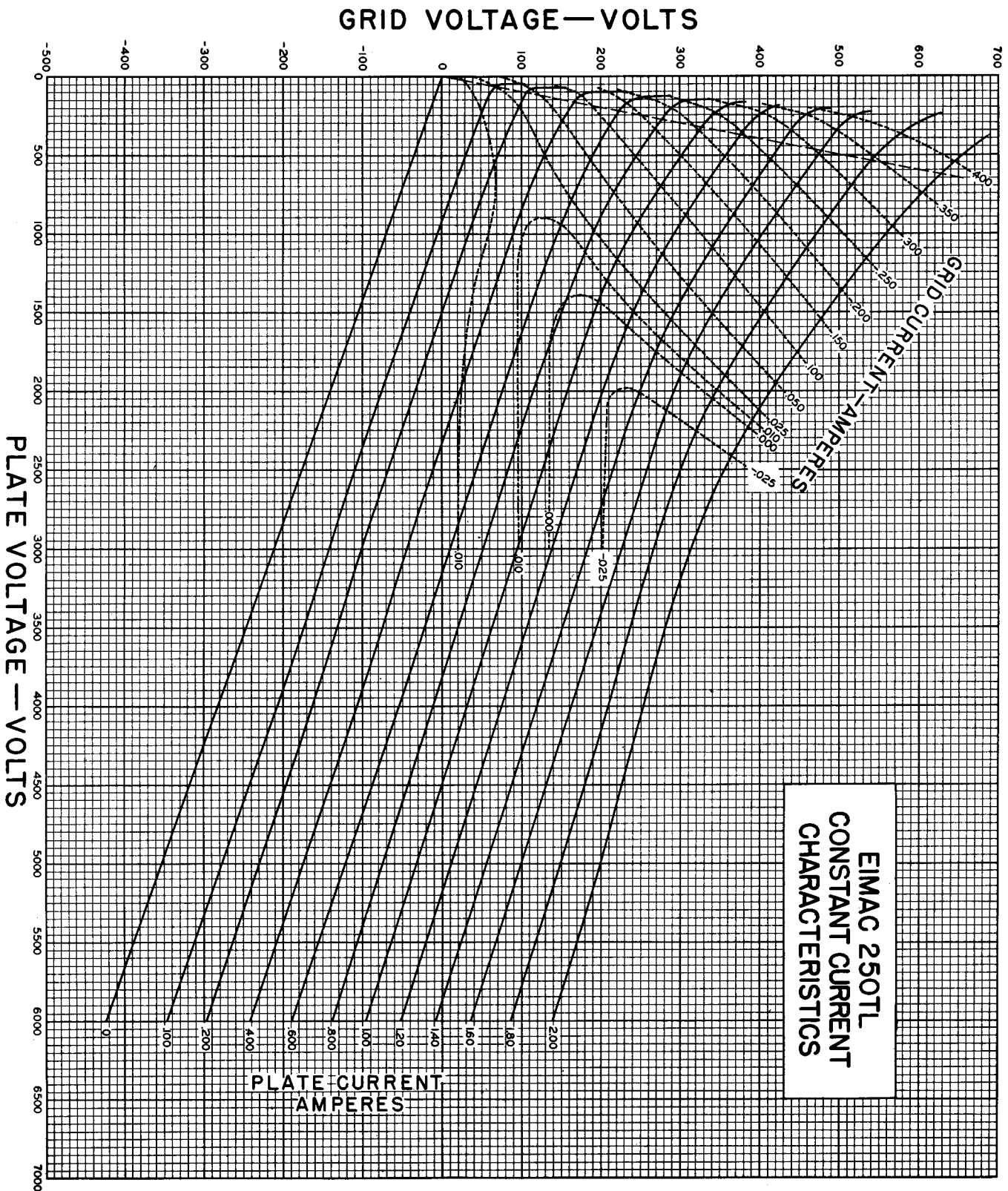
RADIO FREQUENCY POWER AMPLIFIER AND OSCILLATOR

Class-C *Telegraphy

(Key down conditions without modulation)

	TYPICAL OPERATION—1 TUBE			MAX. RATING
D-C Plate Voltage - - - - -	2000	3000	4000	4000 volts
D-C Plate Current - - - - -	350	335	310	350 ma.
D-C Grid Current - - - - -	45	45	40	50 ma.
D-C Grid Voltage - - - - -	-200	-350	-500	volts
Plate Power Output - - - - -	455	750	1000	watts
Plate Input - - - - -	700	1000	1250	watts
Plate Dissipation - - - - -	245	250	250	250 watts
Peak R. F. Grid Input Voltage, (approx.) - - - - -	575	720	900	volts
Driving Power, (approx.) - - - - -	22	29	33	watts

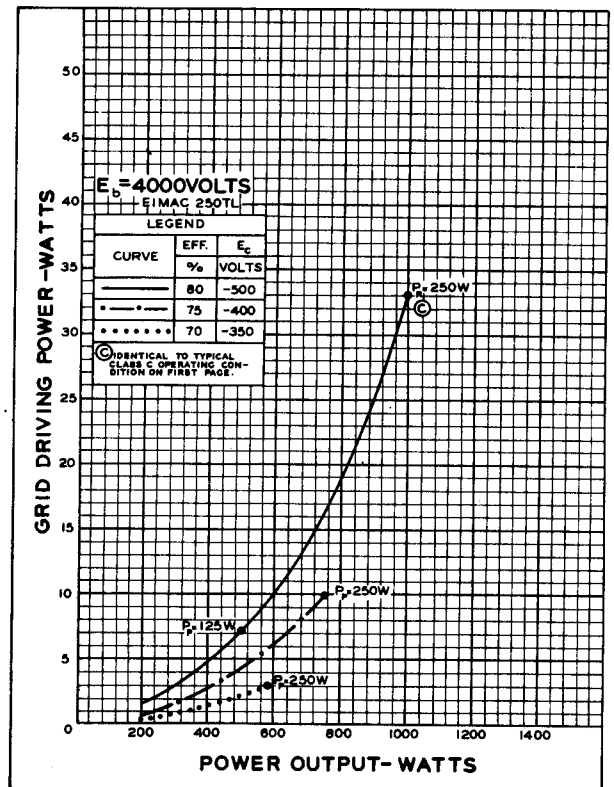
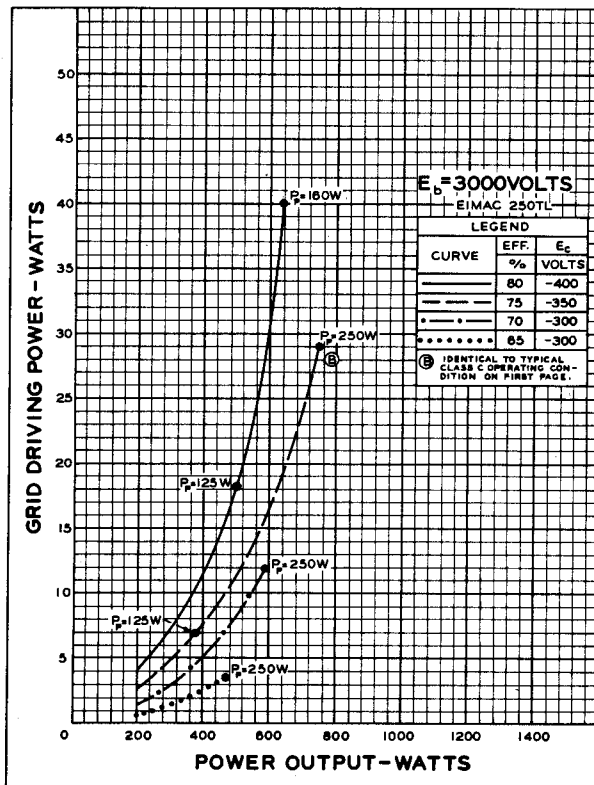
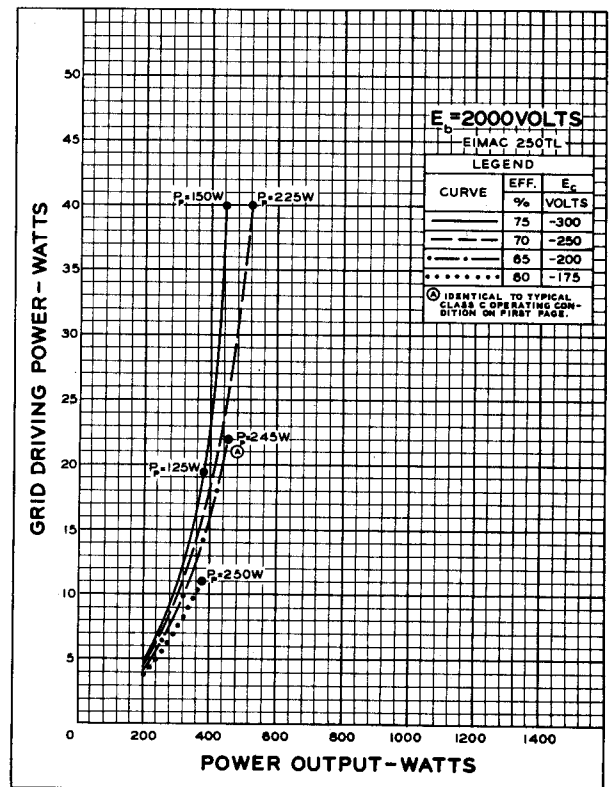
*The above figures show actual measured tube performance, and do not allow for variations in circuit losses.

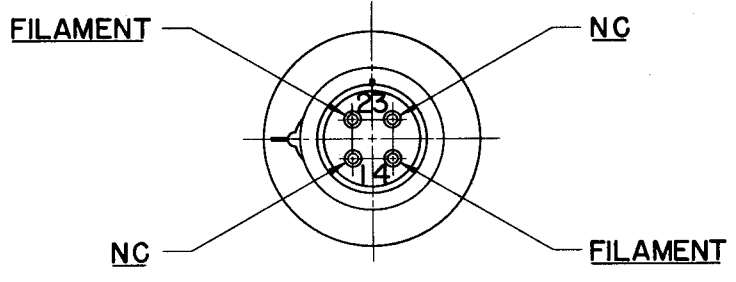
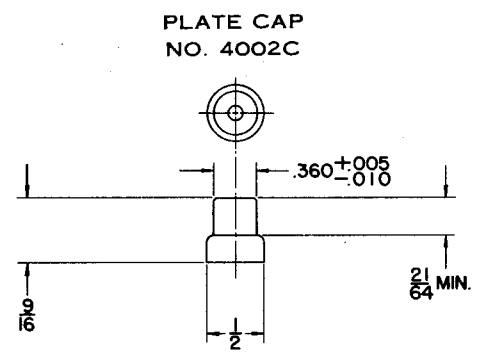
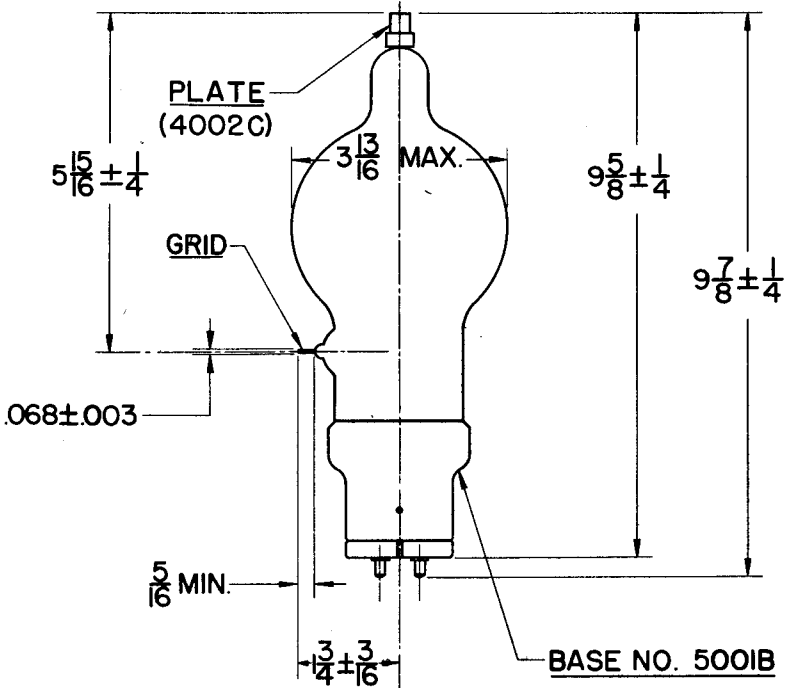


DRIVING POWER vs. POWER OUTPUT

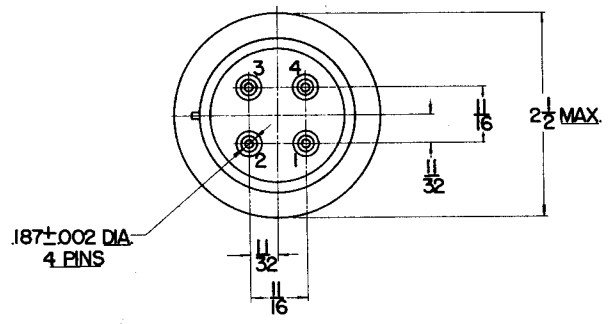
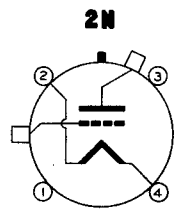
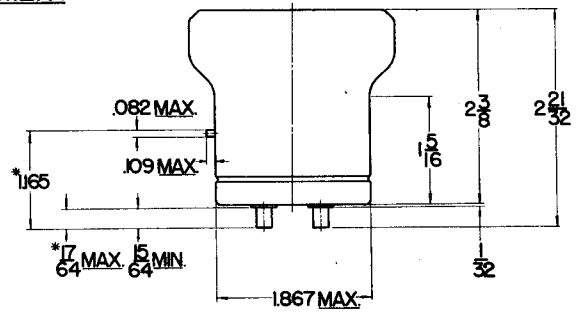
The three charts on this page show the relationship of plate efficiency, power output and grid driving power at plate voltages of 2000, 3000 and 4000 volts. These charts show combined grid and bias losses only. The driving power and power output figures do not include circuit losses. The plate dissipation in watts is indicated by P_p .

Points A, B, and C are identical to the typical Class C operating conditions shown on the first page under 2000, 3000, and 4000 volts respectively.





BASE NO. 500IB



*ON FINISHED TUBE ADD .060 FOR SOLDER

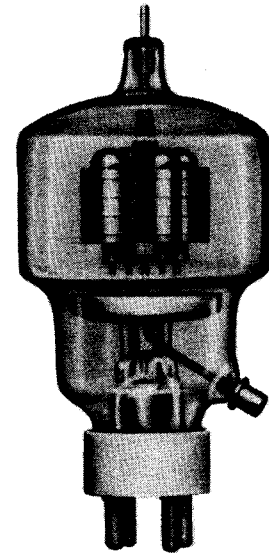
GENERAL CHARACTERISTICS

ELECTRICAL

Filament: Thoriated tungsten	
Voltage - - - - -	5.0 or 10.0 volts
Current - - - - -	25.0 or 12.5 amperes
Amplification Factor (Average) - - - - -	20
Direct Interelectrode Capacitances (Average)	
Grid-Plate - - - - -	10.2 $\mu\mu\text{f}$
Grid-Filament - - - - -	13.5 $\mu\mu\text{f}$
Plate-Filament - - - - -	0.7 $\mu\mu\text{f}$
Transconductance ($I_b=1.0$ amp., $E_b=3000$, $e_c=-40$)	16,700 μmhos
Frequency for Maximum Ratings - - - - -	40 mc

MECHANICAL

Base - - - - -	Special 4 pin, No. 5000B
Basing - - - - -	RMA type 4BC
Maximum Overall Dimensions:	
Length - - - - -	7.625 inches
Diameter - - - - -	3.563 inches
Net weight - - - - -	12 ounces
Shipping weight (Average) - - - - -	3.0 pounds



AUDIO FREQUENCY POWER AMPLIFIER AND MODULATOR
Class B

	TYPICAL OPERATION—2 TUBES			MAX. RATING	
D-C Plate Voltage - - - - -	1500	2000	3000	3000	volts
Max.-Signal D-C Plate Current, per tube* - - - - -	•	•	•	900	ma.
Plate Dissipation, per tube* - - - - -	•	•	•	300	watts
D-C Grid Voltage (approx.) - - - - -	-65	-90	-150		volts
Peak A-F Grid Input Voltage - - - - -	330	350	420		volts
Zero-Signal D-C Plate Current - - - - -	267	200	134		ma.
Max.-Signal D-C Plate Current - - - - -	1066	900	667		ma.
Max.-Signal Driving Power (approx.) - - - - -	17	12	6		watts
Effective Load, Plate-to-Plate - - - - -	2840	4820	10200		ohms
Max.-Signal Plate Power Output - - - - -	1000	1200	1400		watts

*Averaged over any sinusoidal audio frequency cycle.

RADIO FREQUENCY POWER AMPLIFIER AND OSCILLATOR
Class-C *Telegraphy

(Key down conditions without modulation)

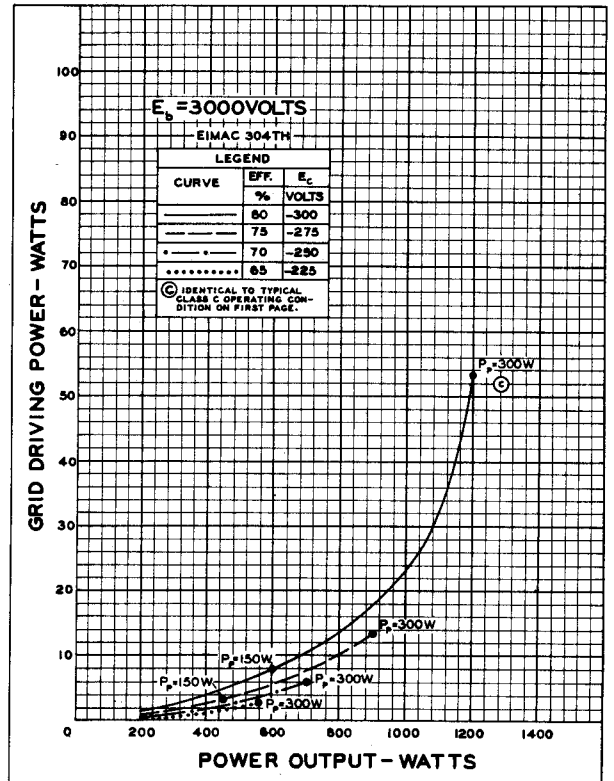
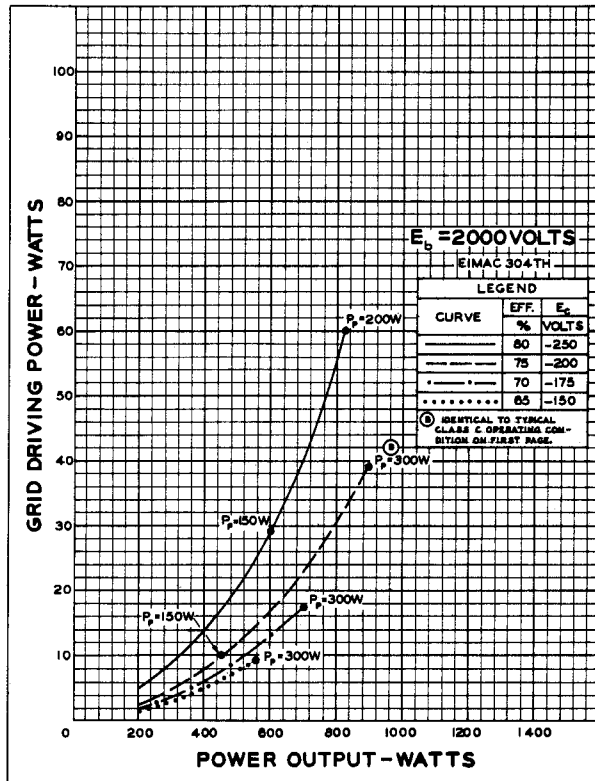
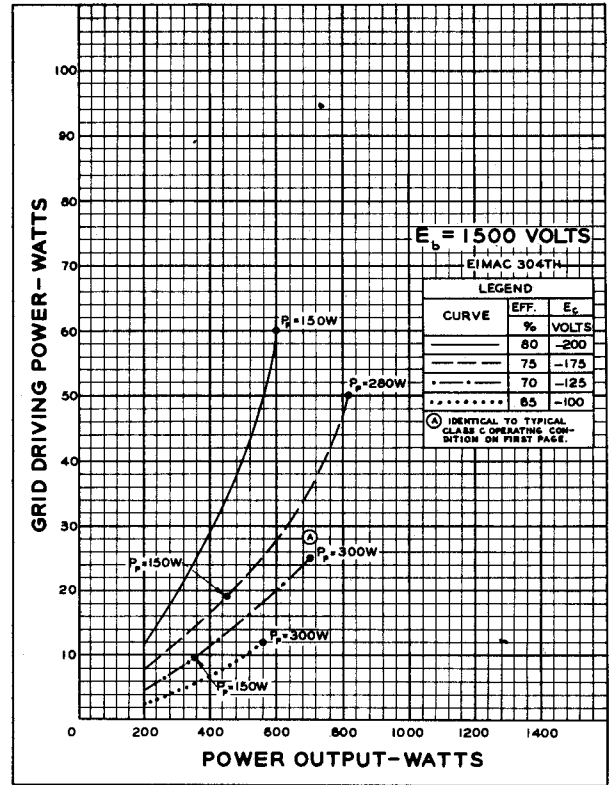
	TYPICAL OPERATION—1 TUBE			MAX. RATING	
D-C Plate Voltage - - - - -	1500	2000	3000	3000	volts
D-C Plate Current - - - - -	667	600	500	900	ma.
D-C Grid Current - - - - -	115	125	135	170	ma.
D-C Grid Voltage - - - - -	-125	-200	-300		volts
Plate Power Output - - - - -	700	900	1200		watts
Plate Input - - - - -	1000	1200	1500		watts
Plate Dissipation - - - - -	300	300	300	300	watts
Peak R. F. Grid Input Voltage, (approx.) - - - - -	250	325	395		volts
Driving Power, (approx.) - - - - -	25	39	53		watts

*The above figures show actual measured tube performance, and do not allow for variations in circuit losses.

DRIVING POWER vs. POWER OUTPUT

The three charts on this page show the relationship of plate efficiency, power output and grid driving power at plate voltages of 1500, 2000 and 3000 volts. These charts show combined grid and bias losses only. The driving power and power output figures do not include circuit losses. The plate dissipation in watts is indicated by P_p .

Points A, B, and C are identical to the typical Class C operating conditions shown on the first page under 1500, 2000, and 3000 volts respectively.



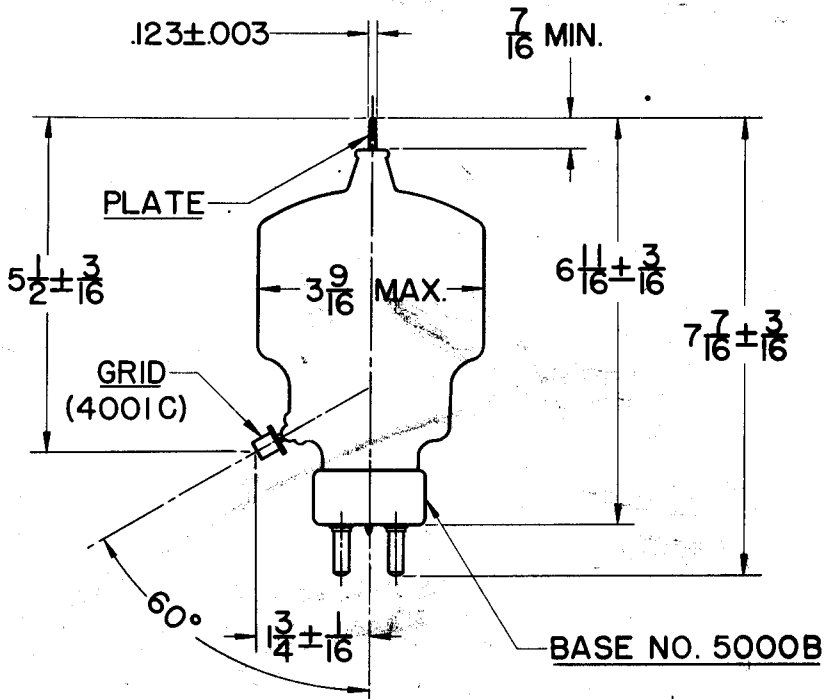
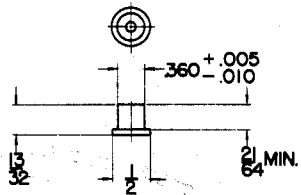
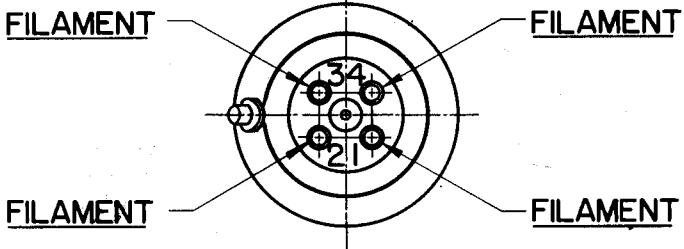
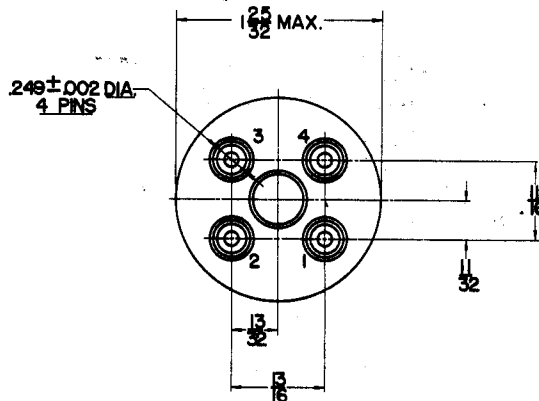
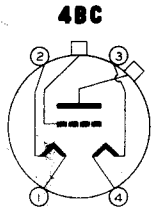
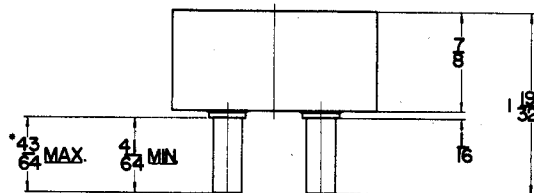


PLATE CAP
 (SEE TUBE OUTLINE DRAWING)

GRID CAP
 NO. 4001C



BASE NO. 5000B



ON FINISHED TUBE ADD .060 FOR SOLDER

Eitel-McCullough
EITEL-McCULLOUGH, INC.
 SAN BRUNO, CALIFORNIA

304TL

LOW-MU TRIODE
 MODULATOR
 OSCILLATOR
 AMPLIFIER

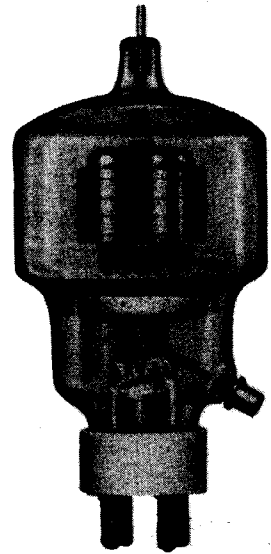
GENERAL CHARACTERISTICS

ELECTRICAL

Filament: Thoriated tungsten		
Voltage - - - - -	5.0 or 10.0	volts
Current - - - - -	25.0 or 12.5	amperes
Amplification Factor (Average) - - - - -		12
Direct Interelectrode Capacitances (Average)		
Grid-Plate - - - - -		9.1 uuf
Grid-Filament - - - - -		8.5 uuf
Plate-Filament - - - - -		0.6 uuf
Transconductance ($I_b=1.0$ amp., $E_b=3000$, $e_c=-200$)		16,700 umhos
Frequency for Maximum Ratings - - - - -		40 mc.

MECHANICAL

Base - - - - -	Special 4 pin, No. 5000B
Basing - - - - -	RMA type 4BC
Maximum Overall Dimensions:	
Length - - - - -	7.625 inches
Diameter - - - - -	3.563 inches
Net weight - - - - -	12 ounces
Shipping weight (Average) - - - - -	3.0 pounds



AUDIO FREQUENCY POWER AMPLIFIER AND MODULATOR

Class B

	ZERO GRID CURRENT OPERATION—2 TUBES			TYPICAL OPERATION 2 TUBES			MAX. RATING	
	1500	2000	3000	1500	2000	3000		
D-C Plate Voltage - - - - -	1500	2000	3000	1500	2000	3000	3000	volts
Max.-Sig. D-C Plate Current, per tube*	•	•	•	•	•	•	900	ma.
Plate Dissipation, per tube* - - -	•	•	•	•	•	•	300	watts
D-C Grid Voltage (approx.) - - - -	-105	-160	-260	-105	-160	-260		volts
Peak A-F Grid Input Voltage - - - -	210	320	520	500	580	650		volts
Zero-Signal D-C Plate Current - - -	270	200	130	270	200	130		ma.
Max.-Signal D-C Plate Current - - -	572	546	444	1140	1000	667		ma.
Max.-Signal Driving Power (approx.)	0	0	0	30	25	6		watts
Effective Load, Plate-to-Plate - -	2540	5300	12000	2750	4500	10200		ohms
Max.-Signal Plate Power Output - -	256	490	730	1100	1400	1400		watts

*Averaged over any sinusoidal audio frequency cycle.

RADIO FREQUENCY POWER AMPLIFIER AND OSCILLATOR

Class-C *Telegraphy

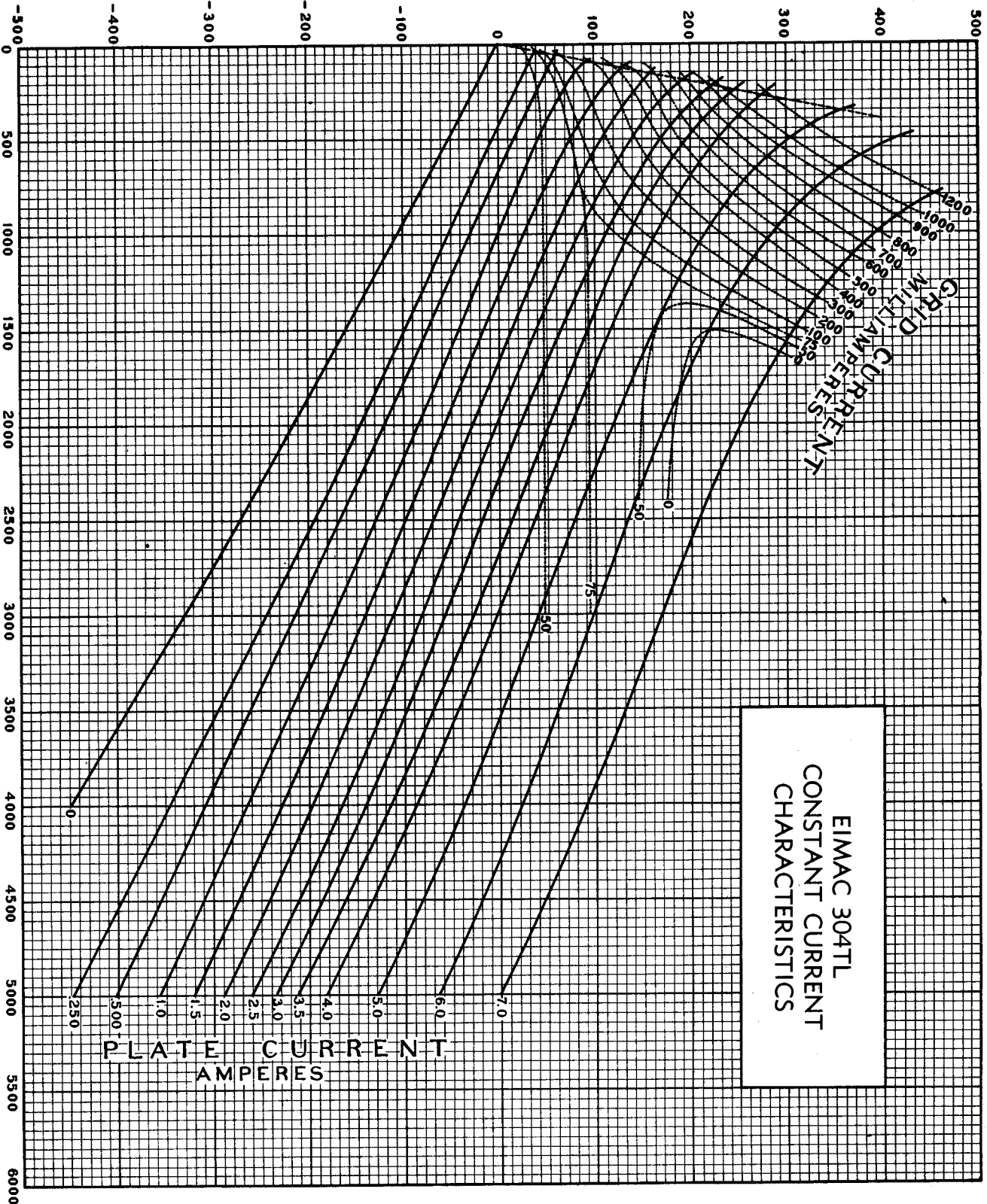
(Key down conditions without modulation)

	TYPICAL OPERATION—1 TUBE			MAX. RATING	
	1500	2000	3000		
D-C Plate Voltage - - - - -	1500	2000	3000	3000	volts
D-C Plate Current - - - - -	665	600	500	900	ma.
D-C Grid Current - - - - -	90	85	80	150	ma.
D-C Grid Voltage - - - - -	-250	-300	-400		volts
Plate Power Output - - - - -	700	900	1200		watts
Plate Input - - - - -	1000	1200	1500		watts
Plate Dissipation - - - - -	300	300	300	300	watts
Peak R. F. Grid Input Voltage, (approx.)	430	480	575		volts
Driving Power, (approx.) - - - - -	33	36	40		watts

*The above figures show actual measured tube performance, and do not allow for variations in circuit losses.

(Effective 1-1-44) Copyright, 1946 by Eitel-McCullough, Inc.

G R I D V O L T S



**EIMAC 304TL
 CONSTANT CURRENT
 CHARACTERISTICS**

P L A T E V O L T S

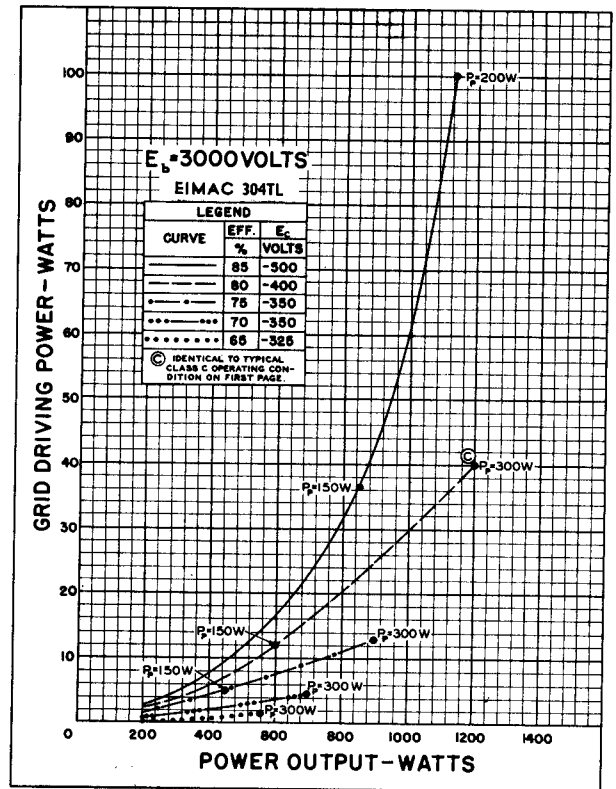
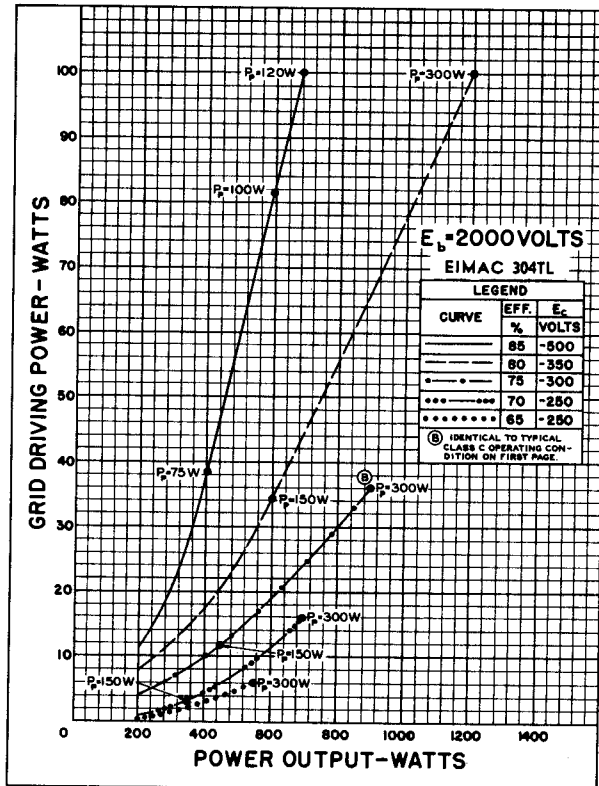
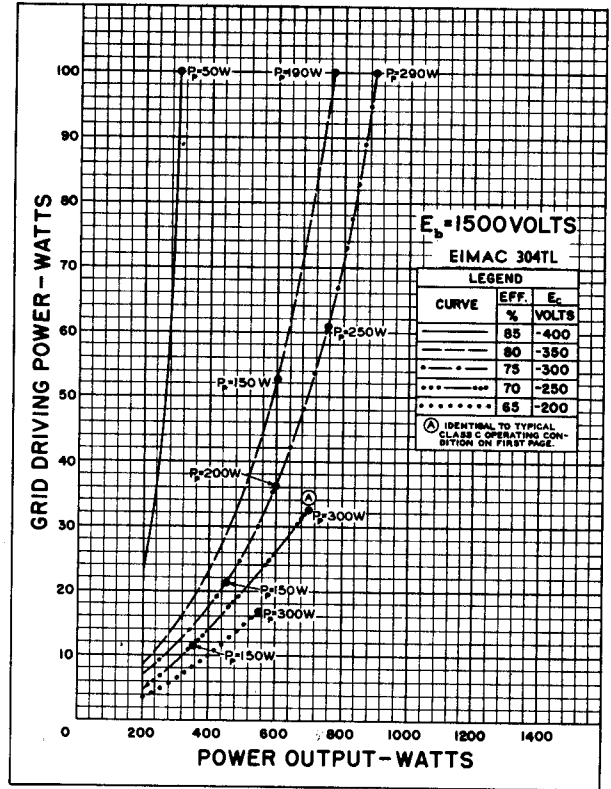
**PLATE CURRENT
 AMPERES**

**GRID CURRENT
 MILLIAMPERES**

DRIVING POWER vs. POWER OUTPUT

The three charts on this page show the relationship of plate efficiency, power output and grid driving power at plate voltages of 1500, 2000 and 3000 volts. These charts show combined grid and bias losses only. The driving power and power output figures do not include circuit losses. The plate dissipation in watts is indicated by P_p .

Points A, B, and C are identical to the typical Class C operating conditions shown on the first page under 1500, 2000, and 3000 volts respectively.



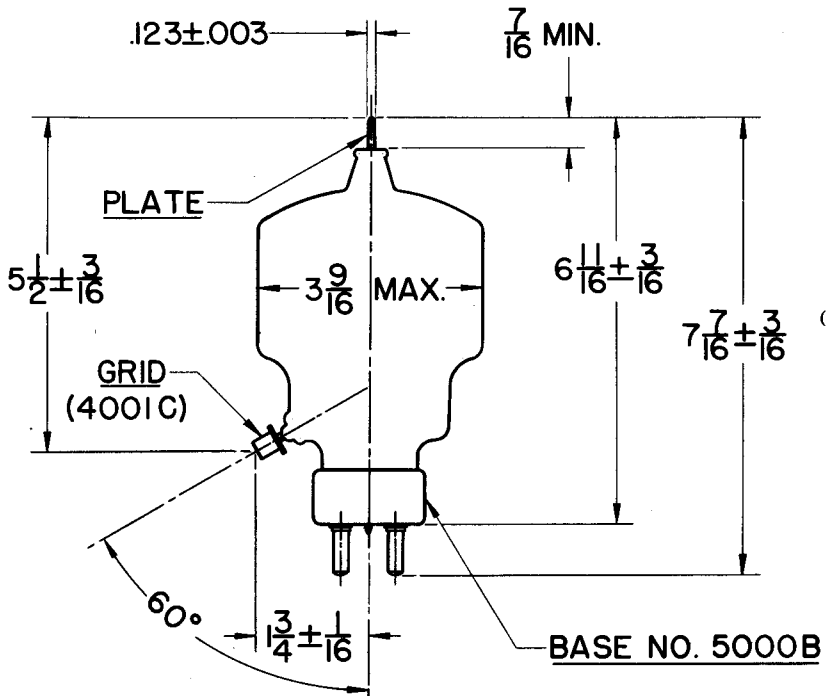
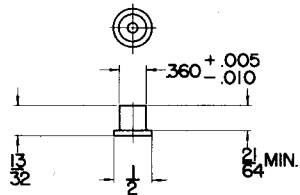
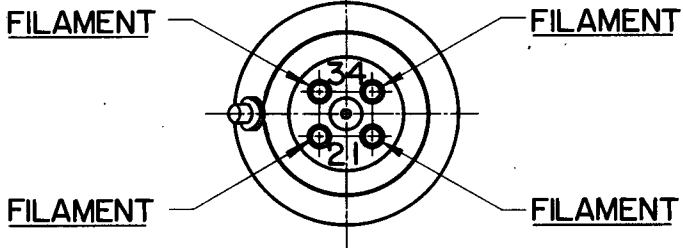
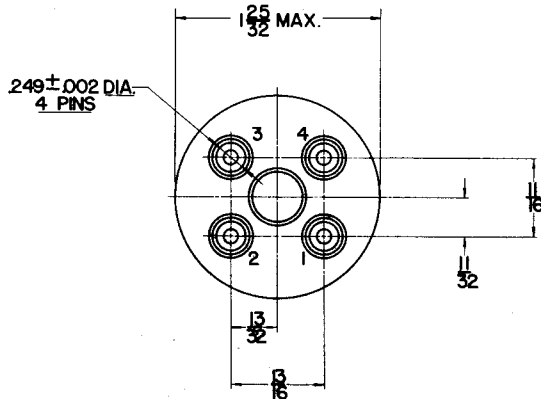
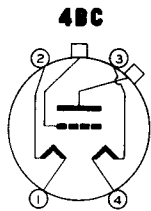
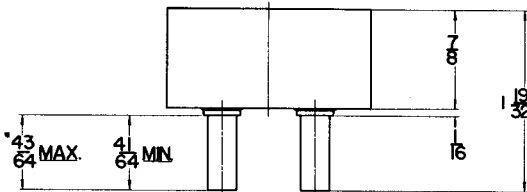


PLATE CAP
 (SEE TUBE OUTLINE DRAWING)

GRID CAP
 NO. 4001C



BASE NO. 5000B



*ON FINISHED TUBE ADD .060 FOR SOLDER

EITEL-McCULLOUGH, INC.

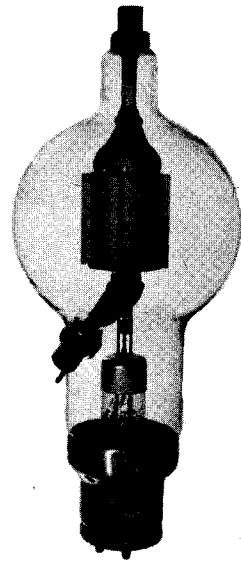
SAN BRUNO, CALIFORNIA

450TH

HIGH-MU TRIODE
MODULATOR
OSCILLATOR
AMPLIFIER

The Eimac 450TH is a high-mu power triode having a maximum plate dissipation rating of 450 watts, and is intended for use as an amplifier, oscillator and modulator. It can be used at its maximum ratings at frequencies as high as 40 Mc.

Cooling of the 450TH is accomplished by radiation from the plate, which exhibits a red-orange color at maximum dissipation, and by means of air circulation around the envelope.



GENERAL CHARACTERISTICS

ELECTRICAL

Filament: Thoriated tungsten	
Voltage	7.5 volts
Current	12.0 amperes
Amplification Factor (Average) - - - - - 38	
Direct Interelectrode Capacitances (Average)	
Grid-plate	5.0 $\mu\text{mfd.}$
Grid-Filament	8.8 $\mu\text{mfd.}$
Plate-Filament	0.8 $\mu\text{mfd.}$
Tranconductance ($I_b=500 \text{ ma.}, E_b=4000 \text{ v.}$) - - - - - 6650 μmhos	

MECHANICAL

Base	Special 4-pin, No. 5002B
Basing	RMA type 4AQ
Cooling	Radiation and air circulation
Maximum Overall Dimensions:	
Length	12.625 inches
Diameter	5.125 inches
Net Weight	1 pound
Shipping Weight (Average)	4 pounds

RADIO FREQUENCY POWER AMPLIFIER AND OSCILLATOR

Class-C Telegraphy (Key-down conditions, 1 tube)

MAXIMUM RATINGS (Frequencies below 40 Mc.)

D-C PLATE VOLTAGE	6000 MAX. VOLTS
D-C PLATE CURRENT	600 MAX. MA.
PLATE DISSIPATION	450 MAX. WATTS
GRID DISSIPATION	65 MAX. WATTS

TYPICAL OPERATION (Frequencies below 40 Mc.)

D-C Plate Voltage	3000	4000	5000	volts
D-C Grid Voltage	-175	-200	-300	volts
D-C Plate Current	500	450	450	ma.
D-C Grid Current	95	85	90	ma.
Grid Dissipation	18.4	18	19	watts
Peak R-F Grid Input Voltage (approx.)	400	410	570	volts
Driving Power (approx.)	35	35	46	watts
Plate Power Input	1500	1800	2250	watts
Plate Dissipation	450	450	450	watts
Plate Power Output	1050	1350	1800	watts

AUDIO FREQUENCY POWER AMPLIFIER AND MODULATOR

Class-B (Sinusoidal wave, two tubes unless otherwise specified)

MAXIMUM RATINGS

D-C PLATE VOLTAGE	6000 MAX. VOLTS
MAX-SIGNAL D-C PLATE CURRENT, PER TUBE	600 MAX. MA.
PLATE DISSIPATION, PER TUBE	450 MAX. WATTS
GRID DISSIPATION, PER TUBE	65 MAX. WATTS

TYPICAL OPERATION

D-C Grid Voltage (approx.)	-50	-85	-115	volts
D-C Plate Voltage	3000	4000	5000	volts
Zero-Signal D-C Plate Current	200	150	120	ma.
Max-Signal D-C Plate Current	770	675	620	ma.
Effective Load, Plate-to-Plate	7800	12,800	18,600	ohms
Peak A-F Grid Input Voltage (per tube)	225	235	267	volts
Max-Signal Avg. Driving Power (approx.)	17	14	10	watts
Max-Signal Peak Driving Power (approx.)	40	34	40	watts
Max-Signal Plate Dissipation (per tube)	450	450	450	watts
Max-Signal Plate Power Output	1400	1800	2200	watts

IF IT IS DESIRED TO OPERATE THIS TUBE UNDER CONDITIONS WIDELY DIFFERENT THAN THOSE GIVEN UNDER "TYPICAL OPERATION," AND WHICH POSSIBLY EXCEED MAXIMUM RATINGS, WRITE EITEL-McCULLOUGH, INC., FOR INFORMATION AND RECOMMENDATIONS.

APPLICATION

MECHANICAL

Mounting—The 450TH must be mounted vertically, base up or base down. Flexible connecting straps should be provided from the grid and plate terminals to the external grid and plate circuits. The tube must be protected from severe vibration and shock.

Cooling—Provision should be made for ample circulation of air around the 450TH. In the event that the design of the equipment restricts natural circulation, the use of a small fan or centrifugal blower to provide additional cooling for the tube will aid in obtaining maximum tube life. Special heat-dissipating connectors (Eimac HR-8) are available for use on the plate and grid terminals. These connectors help to prolong tube life by reducing the temperature of the seals.

The grid terminal of the 450TH is now .560" in diameter. To accommodate existing equipment designed for the older style 450TH having .098" diameter grid terminals, an adapter pin is provided with the newer tubes. This adapter pin is threaded so that it may be removed from the grid terminal of the tube. The small grid terminal requires an HR-4 heat-dissipating connector.

ELECTRICAL

Filament Voltage—For maximum tube life the filament voltage, as measured directly at the filament pins, should be the rated value of 7.5 volts. Unavoidable variations in filament voltage must be kept within the range from 7.03 to 7.88 volts.

Bias Voltage—Although there is no maximum limit on the bias voltage which may be used on the 450TH, there is little advantage in using bias voltages in excess of those given under "Typical Operation," except in certain very specialized applications. Where bias is obtained by a grid leak, suitable protective means must be provided to

prevent excessive plate dissipation in the event of loss of excitation.

Grid Dissipation—The power dissipated by the grid of the 450TH must not exceed 80 watts. Grid dissipation may be calculated from the following expression:

$$P_g = e_{emp} I_c$$

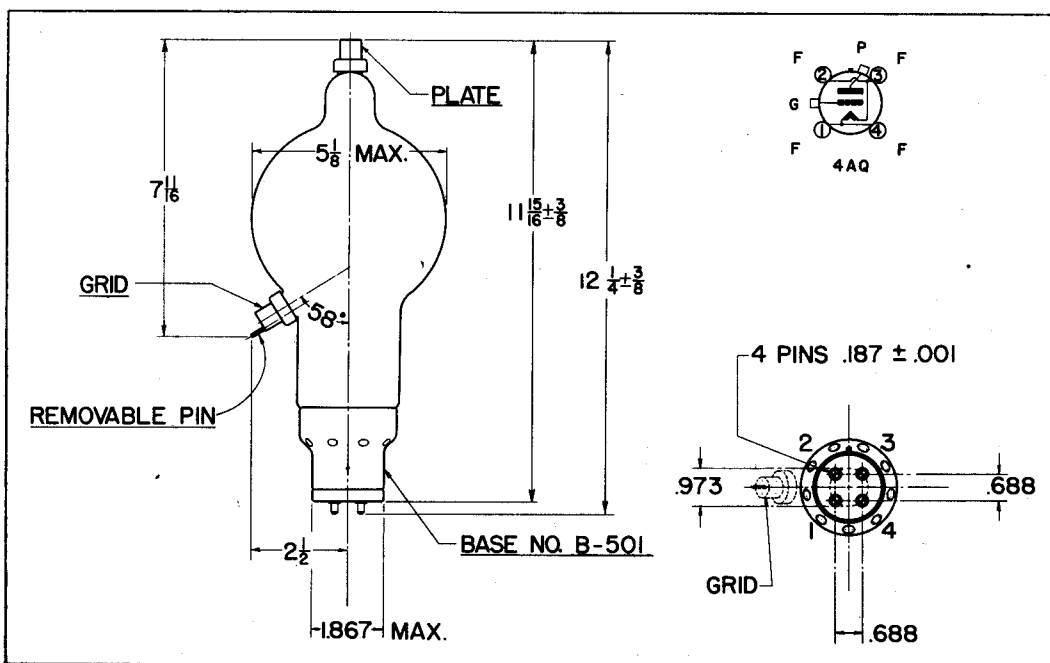
where P_g = Grid dissipation,
 e_{emp} = Peak positive grid voltage, and
 I_c = D-c grid current.

e_{emp} may be measured by means of a suitable peak voltmeter connected between filament and grid.¹ In equipment in which the plate loading varies widely, such as oscillators used for radio-frequency heating, care should be taken to make certain that the grid dissipation does not exceed the maximum rating under any conditions of loading.

Plate Voltage—Except in very special applications, the plate supply voltage for the 450TH should not exceed 6000 volts. In most cases there is little advantage in using plate-supply voltages higher than those given under "Typical Operation" for the power output desired.

Plate Dissipation—Under normal operating conditions, the power dissipated by the plate of the 450TH should not be allowed to exceed 450 watts. At this dissipation the brightness temperature of the plate will appear a red-orange in color. The value of this color is somewhat affected by light from the filament as well as from external sources. Plate dissipation in excess of the maximum rating is permissible for short periods of time, such as during tuning procedures.

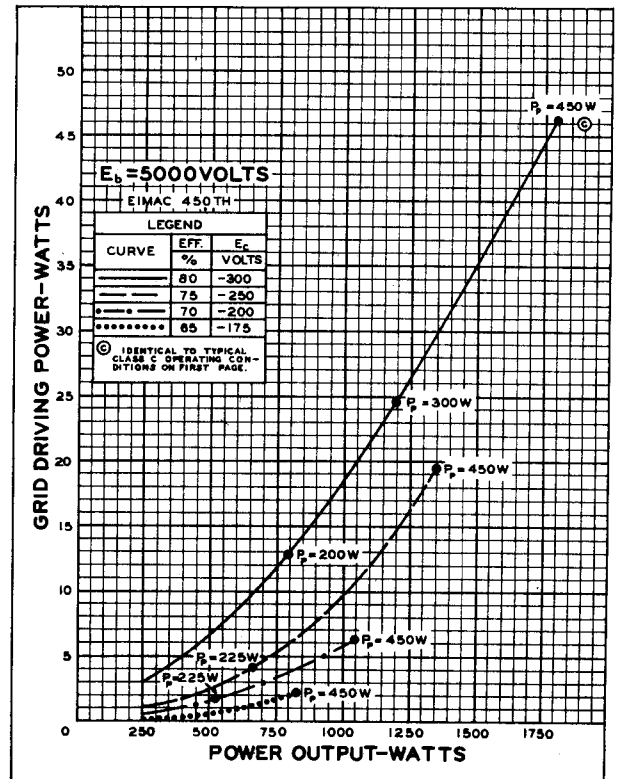
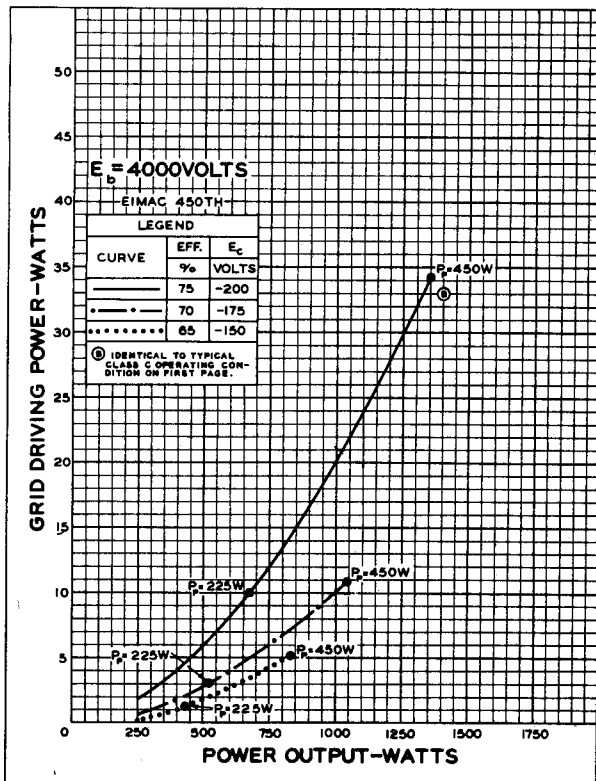
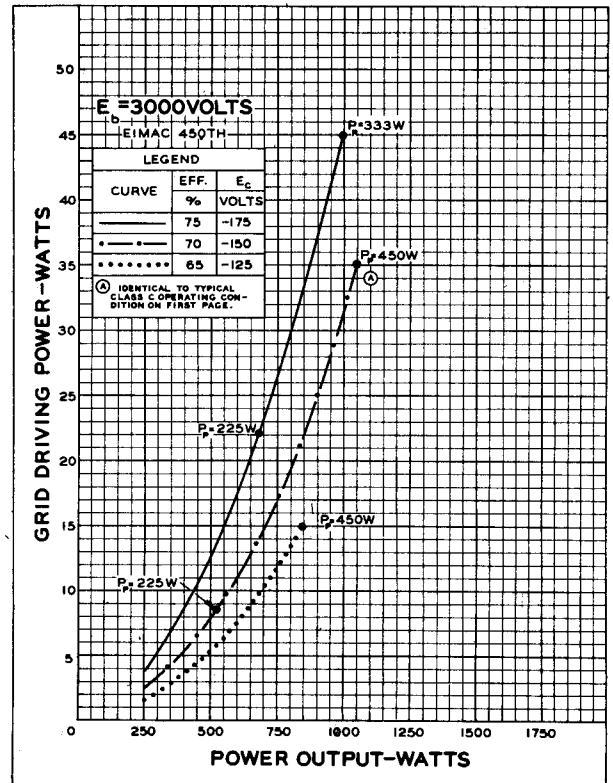
¹ For suitable peak v.t.v.m. circuits see, for instance, "Vacuum Tube Ratings," Eimac News, January, 1945. This article is available in reprint form on request.



DRIVING POWER vs. POWER OUTPUT

The three charts on this page show the relationship of plate efficiency, power output and grid driving power at plate voltages of 3000, 4000, and 5000 volts. These charts show combined grid and bias losses only. The driving power and power output figures do not include circuit losses. The plate dissipation in watts is indicated by P_p .

Points A, B, and C are identical to the typical Class C operating conditions shown on the first page under 3000, 4000, and 5000 volts respectively.



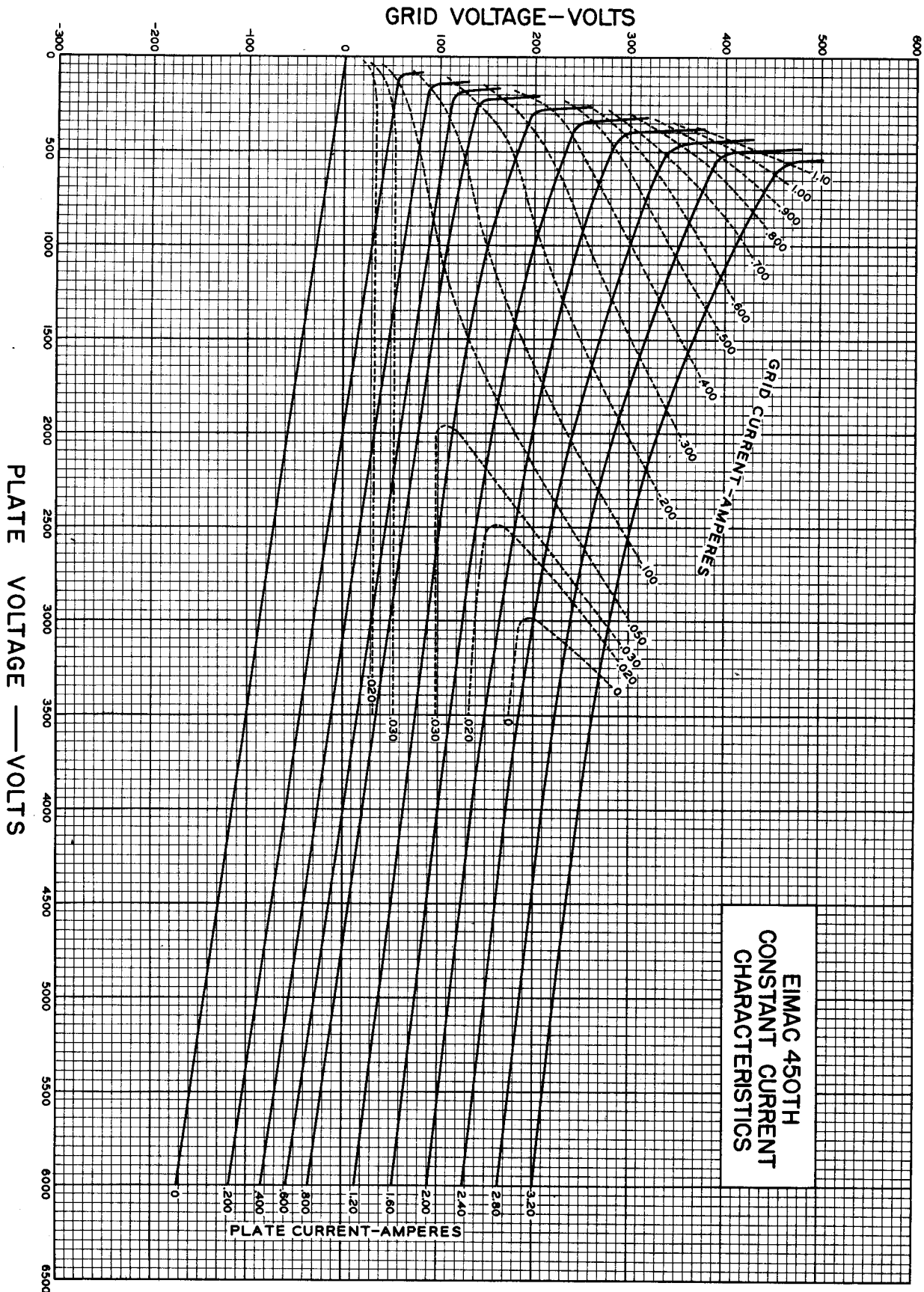


PLATE VOLTAGE — VOLTS

GRID VOLTAGE—VOLTS

PLATE CURRENT—AMPERES

GRID CURRENT—AMPERES

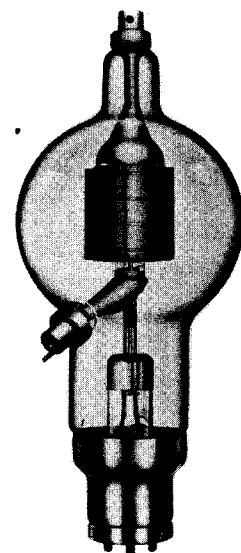
GENERAL CHARACTERISTICS

ELECTRICAL

Filament: Thoriated tungsten		
Voltage - - - - -	7.5	volts
Current - - - - -	12.0	amperes
Amplification Factor (Average) - - - - -	18	
Direct Interelectrode Capacitances (Average)		
Grid-Plate - - - - -	5.2	$\mu\mu\text{f}$
Grid-Filament - - - - -	7.3	$\mu\mu\text{f}$
Plate-Filament - - - - -	0.9	$\mu\mu\text{f}$
Transconductance ($I_b=500 \text{ ma.}, E_b=4000, e_c=-75$) - -	6060	μmhos

MECHANICAL

Base - - - - -	4 pin, No. 5002B
Basing - - - - -	RMA type 4AQ
Maximum Overall Dimensions:	
Length - - - - -	12.625 inches
Diameter - - - - -	5.125 inches
Net weight - - - - -	1 pound
Shipping weight (Average) - - - - -	4 pounds



AUDIO FREQUENCY POWER AMPLIFIER AND MODULATOR

Class B

	TYPICAL OPERATION—2 TUBES			MAX. RATING
	3000	4000	5000	
D-C Plate Voltage - - - - -	3000	4000	5000	6000 volts
Max.-Signal D-C Plate Current, per tube* - -	•	•	•	600 ma.
Plate Dissipation, per tube* - - - - -	•	•	•	450 watts
D-C Grid Voltage (approx.) - - - - -	-110	-175	-240	volts
Peak A-F Grid Input Voltage - - - - -	650	740	860	volts
Zero-Signal D-C Plate Current - - - - -	200	150	120	ma.
Max.-Signal D-C Plate Current - - - - -	770	675	620	ma.
Max.-Signal Driving Power (approx.) - - -	15	13	15	watts
Effective Load, Plate-to-Plate - - - - -	7800	12800	18600	ohms
Max.-Signal Plate Power Output - - - - -	1400	1800	2200	watts

*Averaged over any sinusoidal audio frequency cycle.

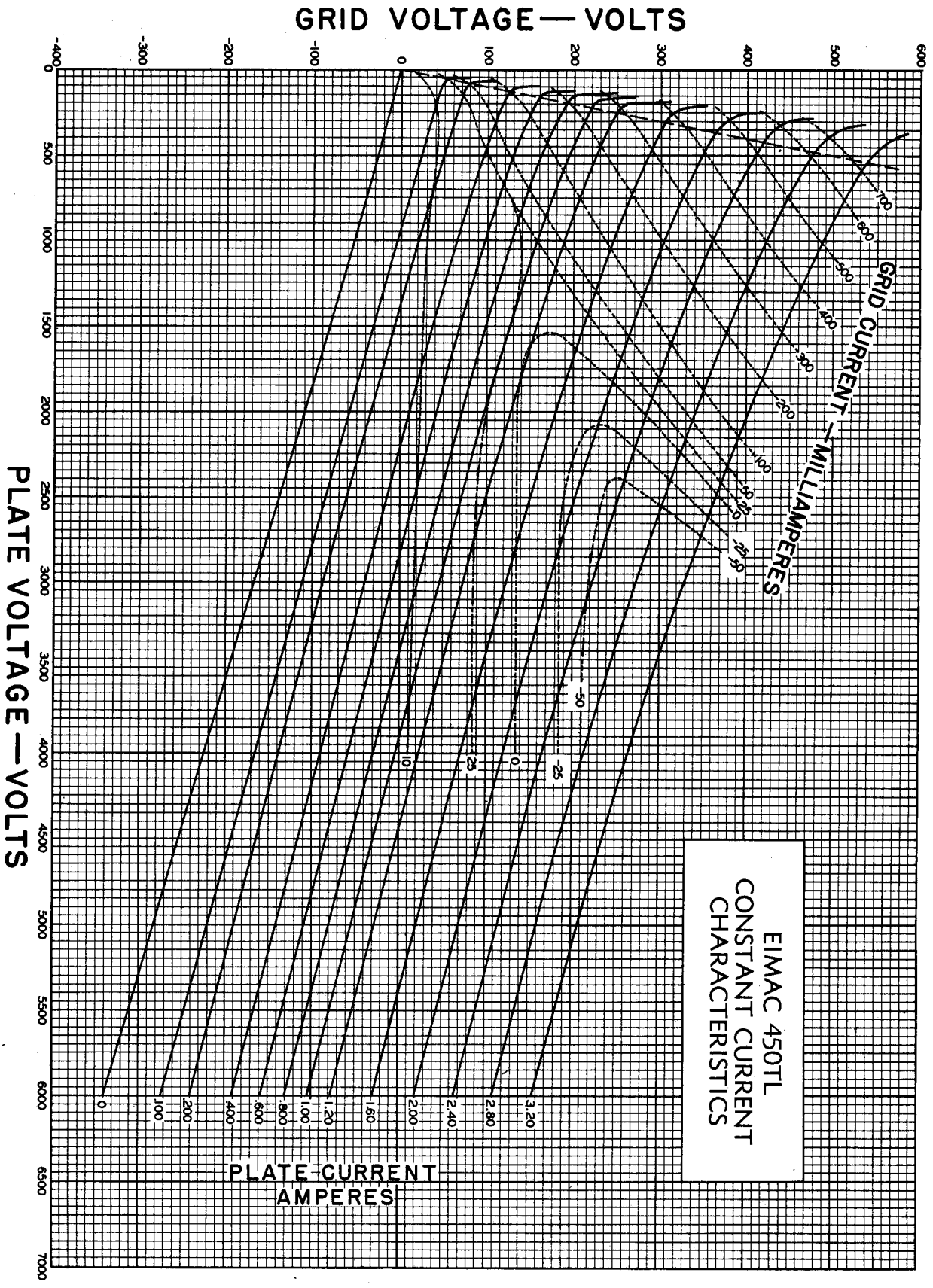
RADIO FREQUENCY POWER AMPLIFIER AND OSCILLATOR

Class-C *Telegraphy

(Key down conditions without modulation)

	TYPICAL OPERATION—1 TUBE			MAX. RATING
	3000	4000	5000	
D-C Plate Voltage - - - - -	3000	4000	5000	6000 volts
D-C Plate Current - - - - -	500	450	450	600 ma.
D-C Grid Current - - - - -	65	53	54	75 ma.
D-C Grid Voltage - - - - -	-275	-400	-500	volts
Plate Power Output - - - - -	1050	1350	1800	watts
Plate Input - - - - -	1500	1800	2250	watts
Plate Dissipation - - - - -	450	450	450	450 watts
Peak R. F. Grid Input Voltage, (approx.) - -	640	740	870	volts
Driving Power, (approx.) - - - - -	38	35	42	watts

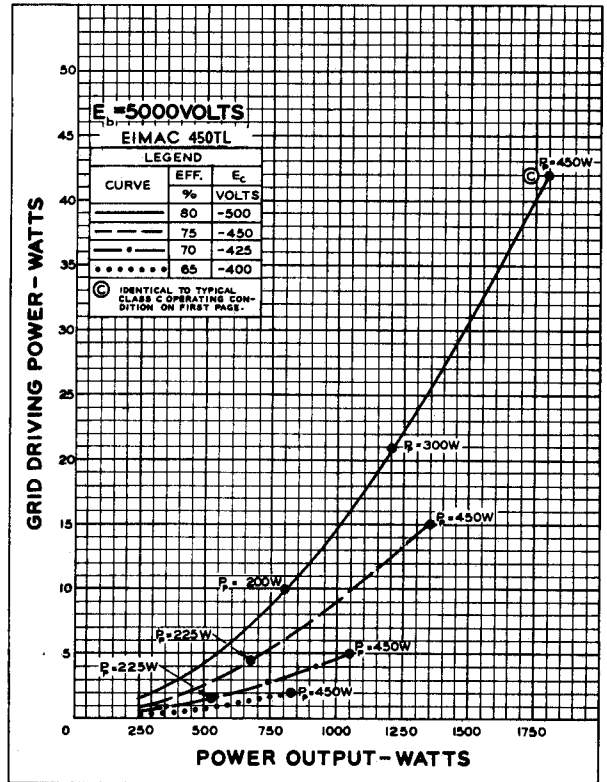
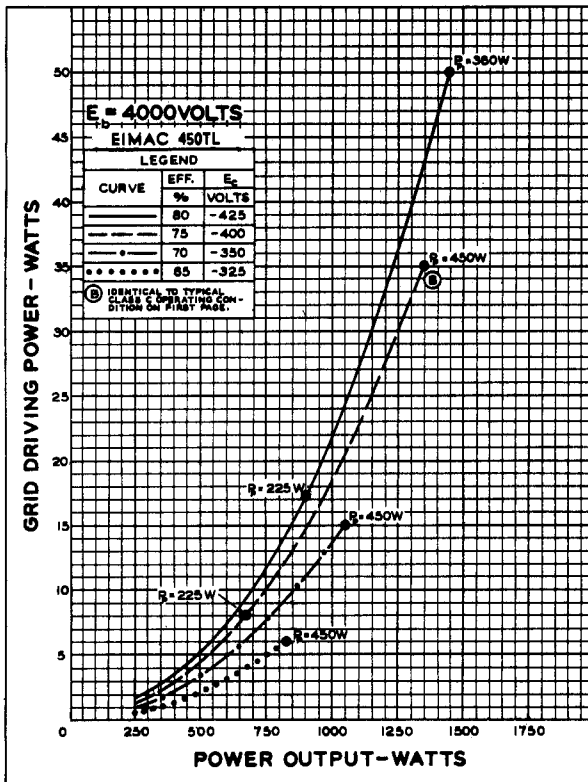
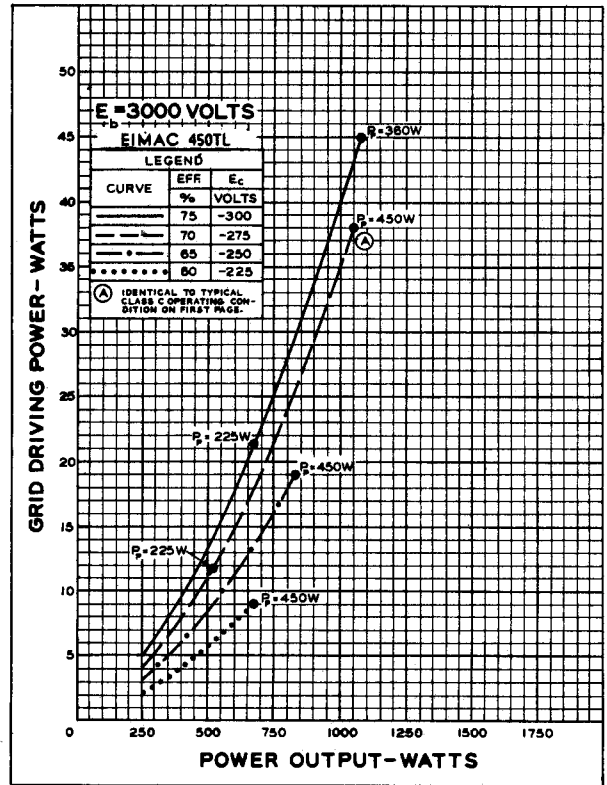
*The above figures show actual measured tube performance, and do not allow for variations in circuit losses.

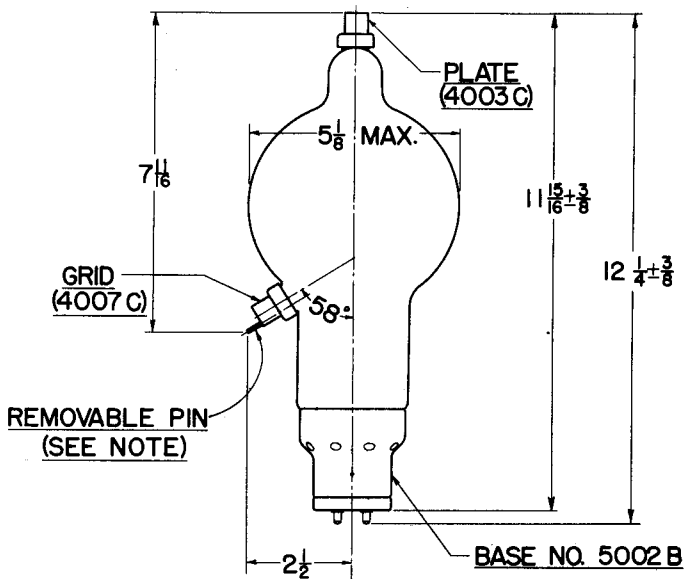


DRIVING POWER vs. POWER OUTPUT

The three charts on this page show the relationship of plate efficiency, power output and grid driving power at plate voltages of 3000, 4000, and 5000 volts. These charts show combined grid and bias losses only. The driving power and power output figures do not include circuit losses. The plate dissipation in watts is indicated by P_p .

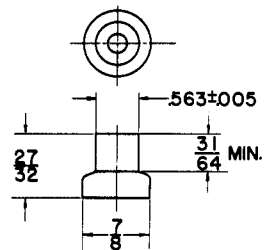
Points A, B, and C are identical to the typical Class C operating conditions shown on the first page under 3000, 4000, and 5000 volts respectively.



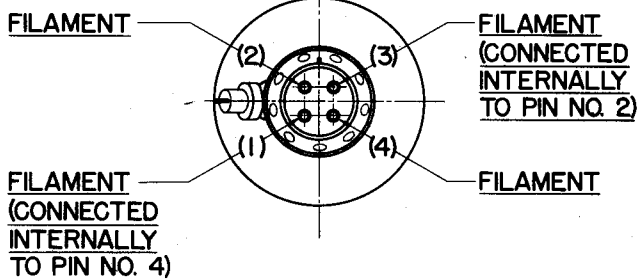
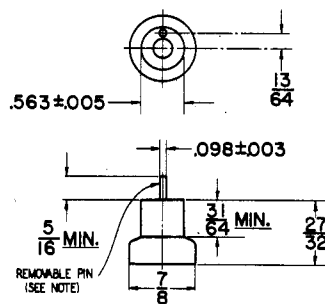


REMOVABLE PIN
(SEE NOTE)

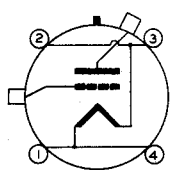
PLATE CAP
NO. 4003C



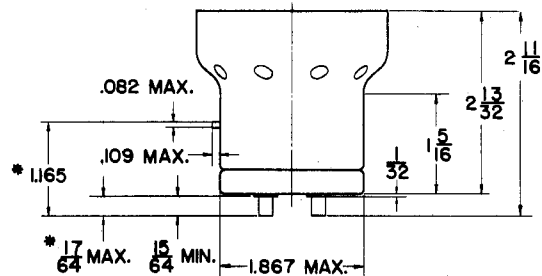
GRID CAP
NO. 4007C



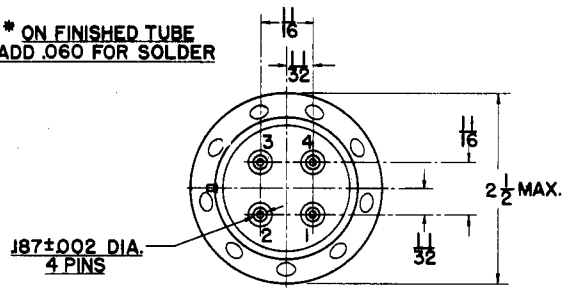
4A0



BASE NO. 5002 B



* ON FINISHED TUBE
ADD .060 FOR SOLDER



NOTE:—The grid terminal on the new 450TH and TL type tube is now .563" in diameter. To accommodate existing equipment which uses the 450TH or TL tubes with the old style .098" grid terminal, an adaptor pin is provided. This adaptor pin, if not needed, may be removed by unscrewing.

Eitel-McCullough, Inc.

SANTA ANA, CALIFORNIA

750 TL

MEDIUM-MU TRIOD

MODULATOR
OSCILLATOR
AMPLIFIER

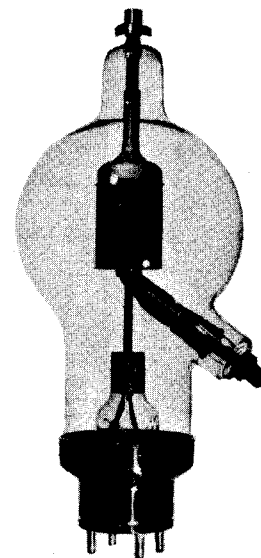
GENERAL CHARACTERISTICS

ELECTRICAL

Filament: Thoriated tungsten		
Voltage	7.5	volts
Current	21.0	amperes
Amplification Factor (Average)		15
Direct Interelectrode Capacitances (Average)		
Grid-Plate	5.8	$\mu\mu\text{f}$
Grid-Filament	8.5	$\mu\mu\text{f}$
Plate-Filament	1.2	$\mu\mu\text{f}$
Transconductance ($I_{b1}=1.0$ amp., $E_b=5000$, $e_c=-100$)	3500	μmhos
Frequency for Maximum Ratings		40 mc

MECHANICAL

Base	Special 4 pin, (Fits Johnson No. 214 Socket, or equal)	No. 5003B
Basing		RMA type 4BD
Maximum Overall Dimensions:		
Length		17.0 inches
Diameter		7.125 inches
Net weight		2.75 pounds
Shipping weight (Average)		8.0 pounds



AUDIO FREQUENCY POWER AMPLIFIER AND MODULATOR

Class B

	TYPICAL OPERATION—2 TUBES			MAX. RATING	
	4000	5000	6000		
D-C Plate Voltage	4000	5000	6000	10000	volts
Max.-Signal D-C Plate Current, per tube*	•	•	•	1000	ma.
Plate Dissipation, per tube*	•	•	•	750	watts
D-C Grid Voltage (approx.)	-200	-285	-350		volts
Peak A-F Grid Input Voltage	910	1060	1200		volts
Zero-Signal D-C Plate Current	.250	.200	.166		amps.
Max.-Signal D-C Plate Current	.950	.860	.834		amps.
Max.-Signal Driving Power (approx.)	24	23	30		watts
Effective Load, Plate-to-Plate	8270	12300	16300		ohms
Max.-Signal Plate Power Output	2300	2800	3500		watts

*Averaged over any sinusoidal audio frequency cycle.

RADIO FREQUENCY POWER AMPLIFIER AND OSCILLATOR

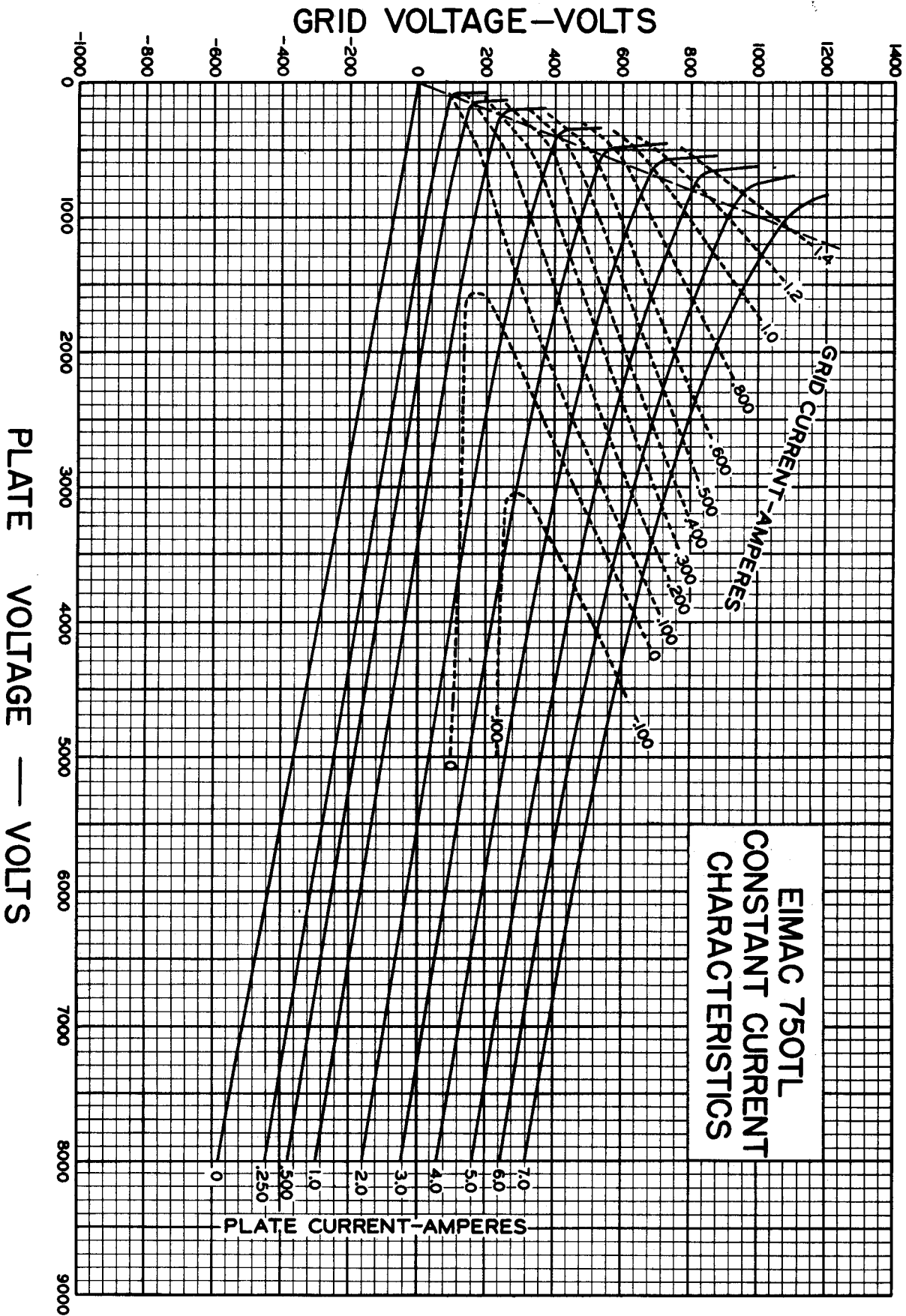
Class-C *Telegraphy

(Key down conditions without modulation)

	TYPICAL OPERATION—1 TUBE				MAX. RATING	
	3000	4000	5000	6000		
D-C Plate Voltage	3000	4000	5000	6000	10000	volts
D-C Plate Current	713	625	600	625	1000	ma.
D-C Grid Current	95	69	67	78	125	ma.
D-C Grid Voltage	-350	-450	-550	-700		volts
Plate Power Output	1390	1750	2250	3000		watts
Plate Input	2140	2500	3000	3750		watts
Plate Dissipation	750	750	750	750	750	watts
Peak R. F. Grid Input Voltage, (approx.)	860	900	1000	1120		volts
Driving Power, (approx.)	74	53	61	93		watts

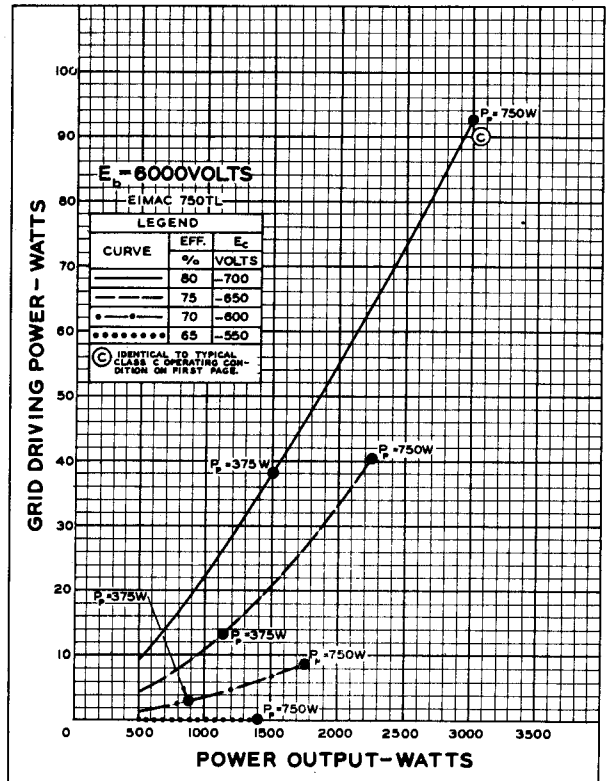
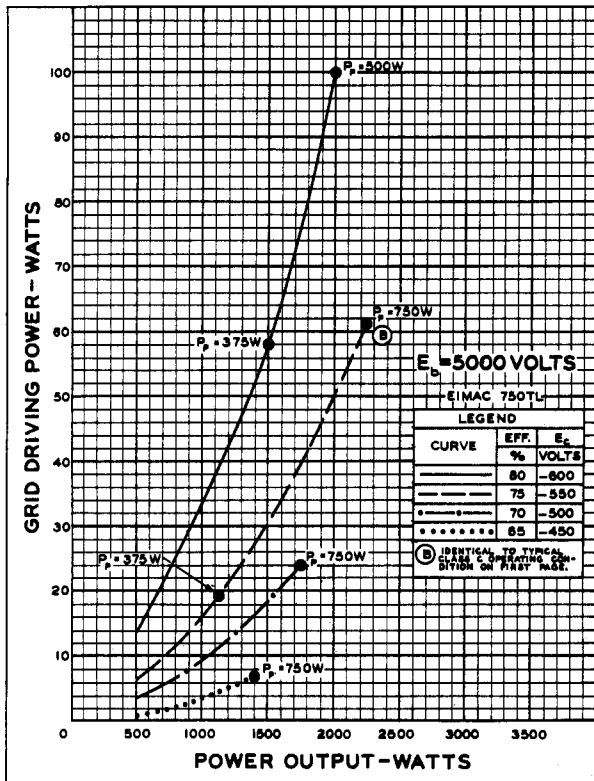
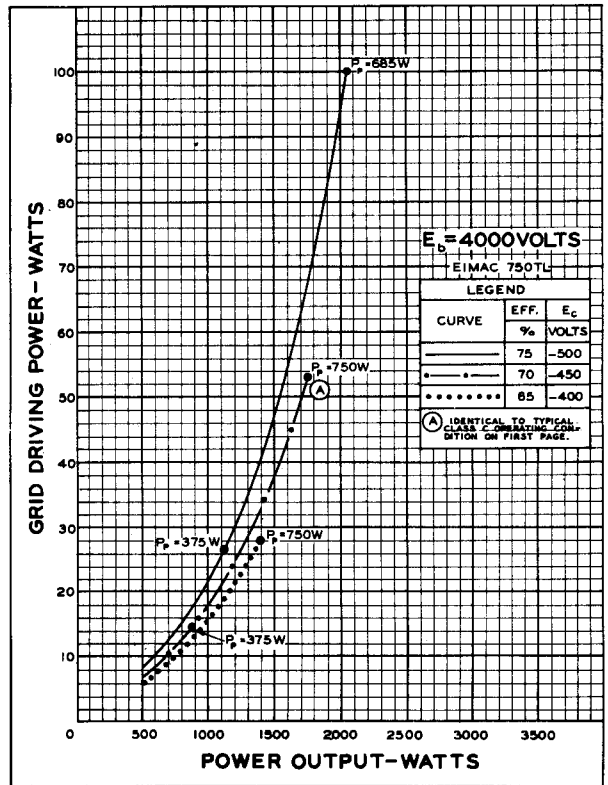
*The above figures show actual measured tube performance, and do not allow for variations in circuit losses.

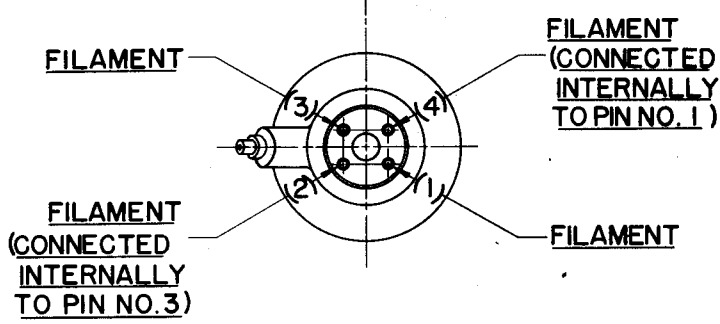
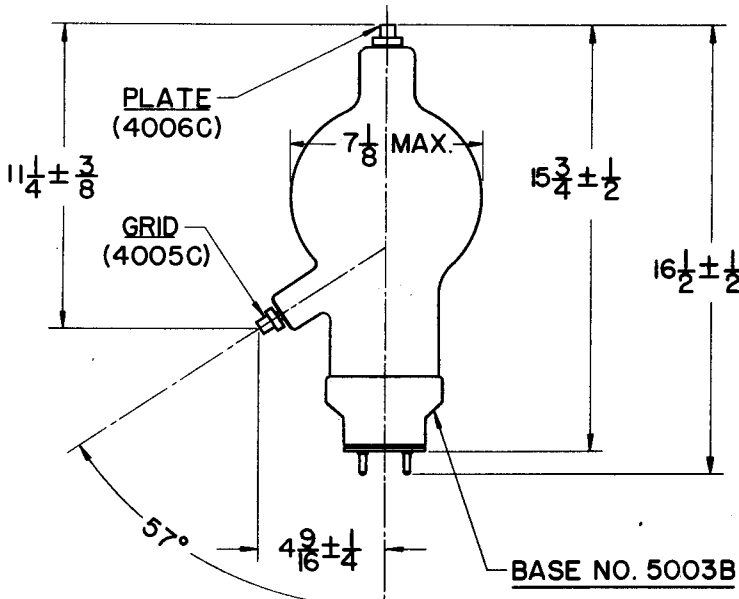
(Effective 5-15-44) Copyright, 1946 by Eitel-McCullough, Inc.



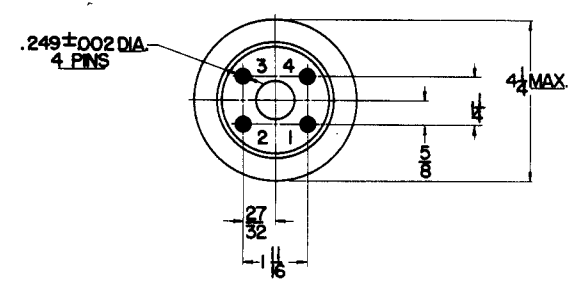
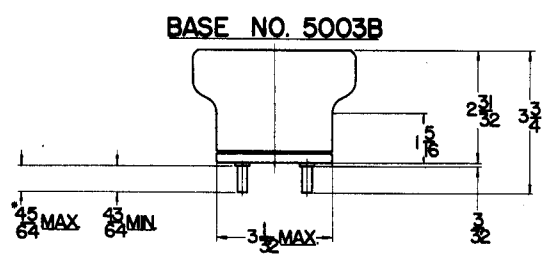
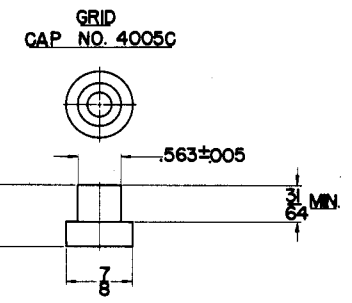
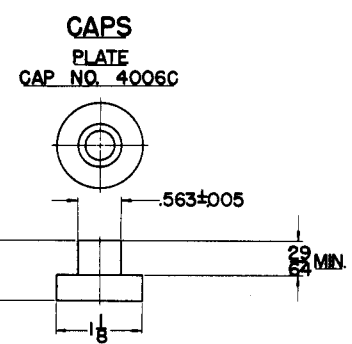
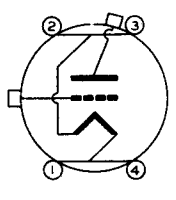
DRIVING POWER vs. POWER OUTPUT

The three charts on this page show the relationship of plate efficiency, power output and grid driving power at plate voltages of 4000, 5000, and 6000 volts. These charts show combined grid and bias losses only. The driving power and power output figures do not include circuit losses. The plate dissipation in watts is indicated by P_p . Points A, B, and C are identical to the typical Class C operating conditions shown on the first page under 4000, 5000, and 6000 volts respectively.





48D



*ON FINISHED TUBE ADD .060 FOR SOLDER.

AIR COOLING

Provision should be made for ample circulation of air in the equipment employing this type tube.

EITEL McCULLOUGH, INC.

SAN BRUNO, CALIFORNIA

1000T

HIGH-MU TRIODE
MODULATOR
OSCILLATOR
AMPLIFIER

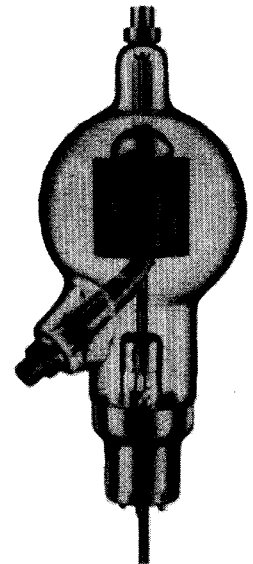
GENERAL CHARACTERISTICS

ELECTRICAL

Filament: Thoriated tungsten		
Voltage - - - - -	7.5	volts
Current - - - - -	17.0	amperes
Amplification Factor (Average) - - - - -		35
Direct Interelectrode Capacitances (Average)		
Grid-Plate - - - - -	5.1	$\mu\mu\text{f}$
Grid-Filament - - - - -	9.3	$\mu\mu\text{f}$
Plate-Filament - - - - -	0.5	$\mu\mu\text{f}$
Transconductance ($I_b=750 \text{ ma.}, E_b=6000, e_c=-62$)	9050	μmhos
Frequency for Maximum Ratings - - - - -		50 mc

MECHANICAL

Base - - - - -	4-pin with tubing for forced air No. 5004B
Basing - - - - -	RMA type 4AQ
Maximum Overall Dimensions:	
Length - - - - -	12.625 inches
Diameter - - - - -	5.125 inches
Net weight - - - - -	1.25 pounds
Shipping weight (Average) - - - - -	6.25 pounds



AUDIO FREQUENCY POWER AMPLIFIER AND MODULATOR

Class B

	TYPICAL OPERATION—2 TUBES			MAX. RATING	
	4000	5000	6000		
D-C Plate Voltage - - - - -				7500	volts
Max.-Signal D-C Plate Current, per tube* - - - - -	•	•	•	750	ma.
Plate Dissipation, per tube* - - - - -	•	•	•	1000	watts
D-C Grid Voltage (approx.) - - - - -	-70	-105	-135		volts
Peak A-F Grid Input Voltage - - - - -	490	530	600		volts
Zero-Signal D-C Plate Current - - - - -	.300	.240	.200		amps.
Max.-Signal D-C Plate Current - - - - -	1.25	1.14	1.11		amps.
Max.-Signal Driving Power (approx.) - - - - -	28	31	35		watts
Effective Load, Plate-to-Plate - - - - -	6350	9250	12200		ohms
Max.-Signal Plate Power Output - - - - -	3000	3700	4600		watts

*Averaged over any sinusoidal audio frequency cycle.

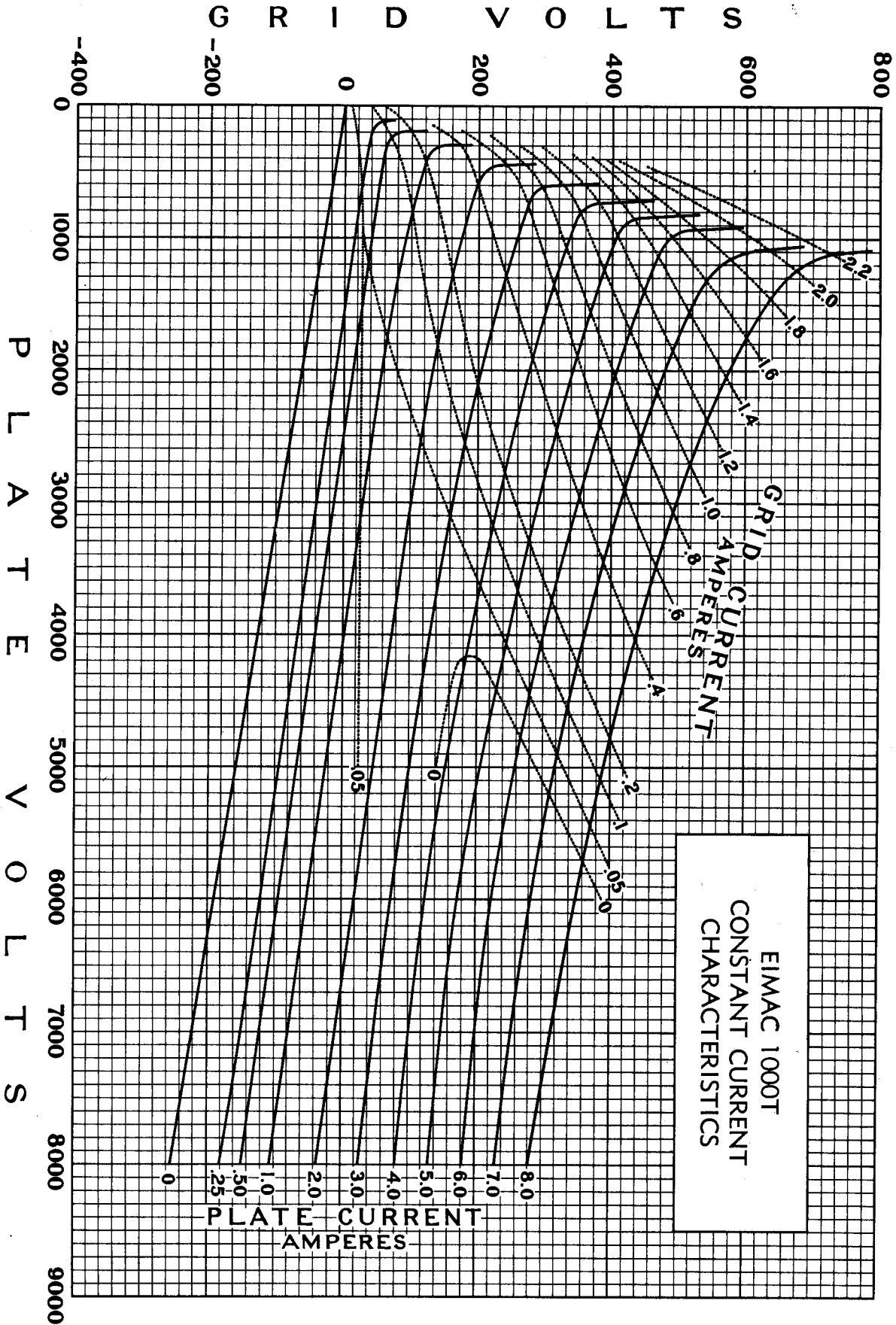
RADIO FREQUENCY POWER AMPLIFIER AND OSCILLATOR

Class-C *Telegraphy

(Key down conditions without modulation)

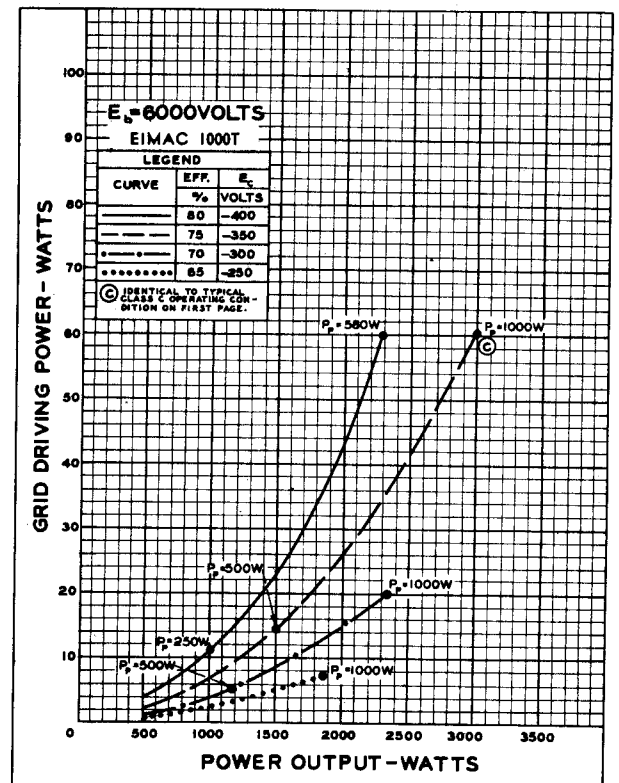
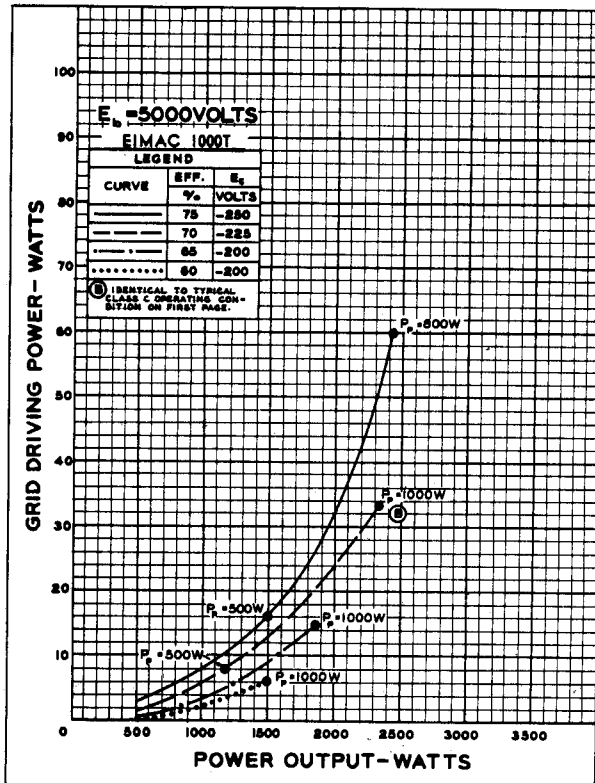
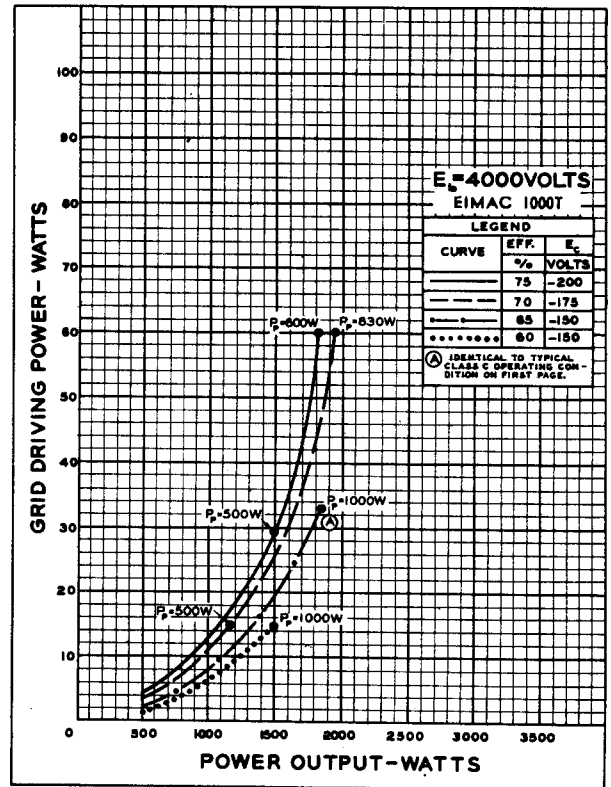
	TYPICAL OPERATION—1 TUBE				MAX. RATING	
	3000	4000	5000	6000		
D-C Plate Voltage - - - - -					7500	volts
D-C Plate Current - - - - -	750	713	667	667	750	ma.
D-C Grid Current - - - - -	90	100	87	110	125	ma.
D-C Grid Voltage - - - - -	-150	-150	-225	-350		volts
Plate Power Output - - - - -	1350	1850	2333	3000		watts
Plate Input - - - - -	2250	2850	3333	4000		watts
Plate Dissipation - - - - -	900	1000	1000	1000	1000	watts
Peak R. F. Grid Input Voltage, (approx.) - - - - -	350	365	420	610		volts
Driving Power, (approx.) - - - - -	30	33	33	60		watts

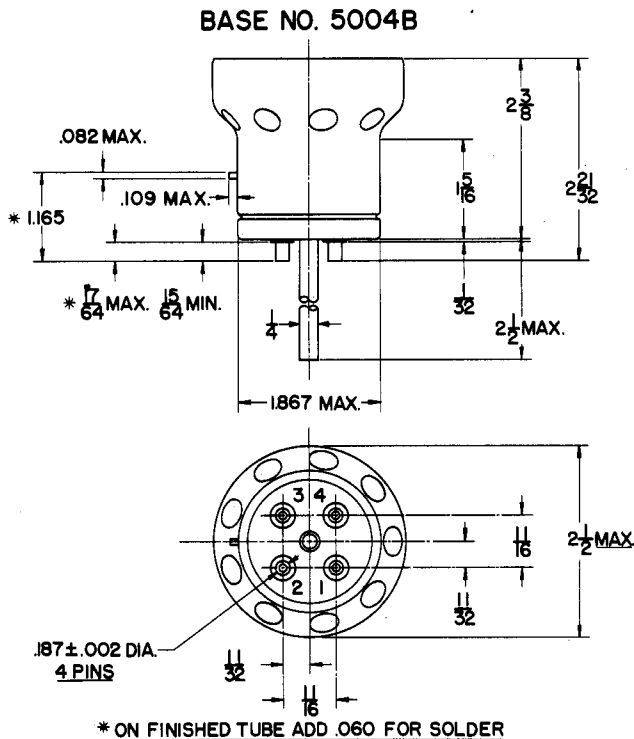
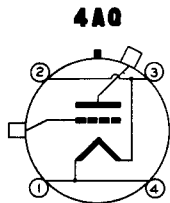
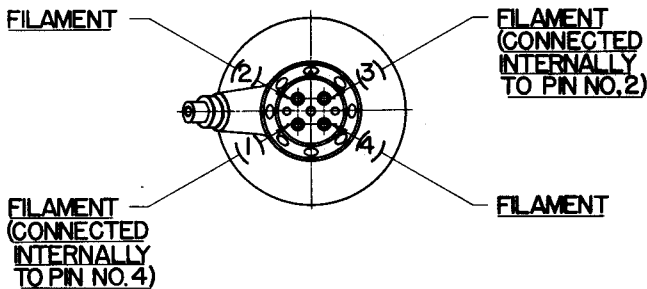
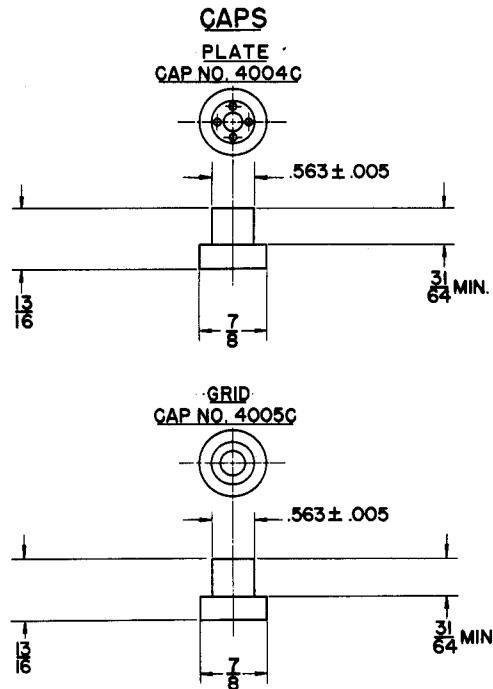
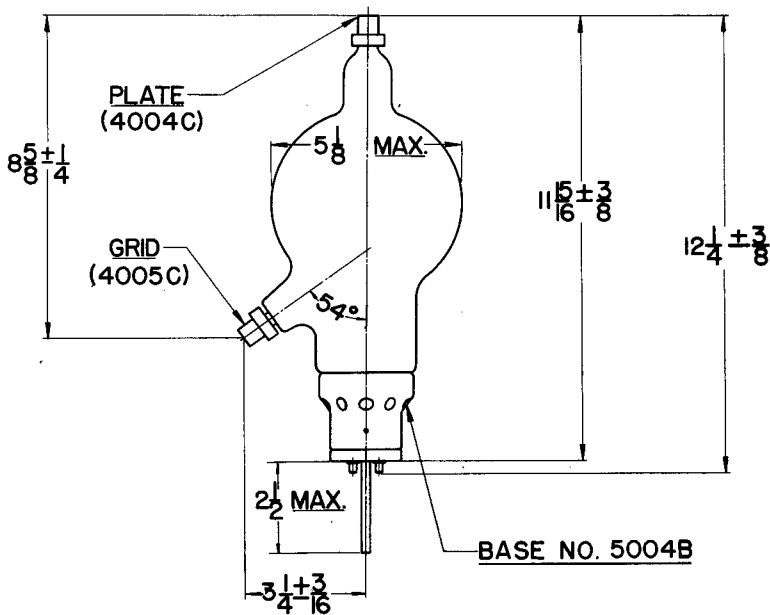
*The above figures show actual measured tube performance, and do not allow for variations in circuit losses.



DRIVING POWER vs. POWER OUTPUT

The three charts on this page show the relationship of plate efficiency, power output and grid driving power at plate voltages of 4000, 5000 and 6000 volts. These charts show combined grid and bias losses only. The driving power and power output figures do not include circuit losses. The plate dissipation in watts is indicated by P_p . Points A, B, and C are identical to the typical Class C operating conditions shown on the first page under 4000, 5000, and 6000 volts respectively.





Forced air cooling on the seals of the Eimac 1000T, 1500T, and 2000T is recommended when tubes are operated under maximum conditions. We suggest the Roots Connersville blower unit No. 22. This blower when driven by a 1/4 H. P. motor at 1160 r.p.m. will deliver 13 cubic feet of air per minute at 1 pound pressure.

Each tube seal requires approximately 2 cubic feet per minute, therefore, one of these No. 22 blowers should handle any two of the above tubes.

We would suggest the outlet manifold, which is 1 inch in diameter, be kept to the shortest possible length—under 8 feet. It is also suggested 3/8 inch O.D. copper tubing be used from the outlet manifold to feed air to the various seals. It will be necessary to use an insulating type of tubing to actually connect to the tubes themselves. This tubing should have an I.D. of 5/16 inch.

Roots Connersville's plant is in Connersville, Indiana, with offices in most of the large cities.

Bulbs must be cooled with air equivalent to that supplied by standard 8" electric fan 12" from bulb.

EITEL-McCULLOUGH, INC.

SAN BRUNO, CALIFORNIA

1500T

MEDIUM-MU TRIODE

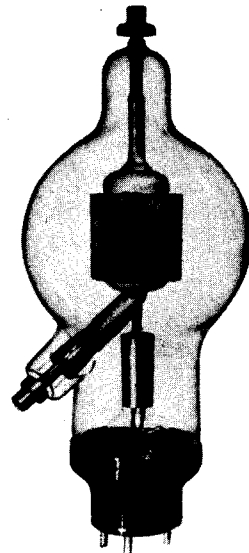
MODULATOR
OSCILLATOR
AMPLIFIER

The Eimac 1500T is a medium-mu, high-vacuum transmitting triode intended for amplifier, oscillator and modulator service. It has a maximum plate dissipation rating of 1500 watts. Cooling of the 1500T is accomplished by radiation from the plate, which operates at a visibly red temperature at maximum dissipation, and by means of forced air circulation around the envelope and at the seals.

GENERAL CHARACTERISTICS

ELECTRICAL

Filament: Thoriated tungsten	
Voltage - - - - -	7.5 volts
Current - - - - -	24.0 amperes
Amplification Factor (Average) - - - - -	24
Direct Interelectrode Capacitances (Average)	
Grid-Plate - - - - -	7.2 $\mu\text{mfd.}$
Grid-Filament - - - - -	9.9 $\mu\text{mfd.}$
Plate-Filament - - - - -	1.5 $\mu\text{mfd.}$
Transconductance ($i_b = 1.25 \text{ amp.}, E_b = 6000 \text{ v.}, E_c = -155 \text{ v.}$)	10,000 μmhos



MECHANICAL

Base - - - - -	Special 4-pin, No. 5005B
Basing - - - - -	RMA type 4BD
Cooling - - - - -	Radiation and forced air
Maximum Overall Dimensions:	
Length - - - - -	17.0 inches
Diameter - - - - -	7.125 inches
Net Weight - - - - -	3.5 pounds
Shipping Weight (Average) - - - - -	8.5 pounds

RADIO FREQUENCY POWER AMPLIFIER AND OSCILLATOR

Class-C Telephony (Key-down conditions, 1 tube)

MAXIMUM RATINGS (Frequencies below 40 Mc.)

D-C PLATE VOLTAGE - - - - -	▶ 8000 MAX. VOLTS
D-C PLATE CURRENT - - - - -	1.25 MAX. AMPS.
PLATE DISSIPATION - - - - -	1500 MAX. WATTS
GRID DISSIPATION - - - - -	125 MAX. WATTS

TYPICAL OPERATION (Frequencies below 40 Mc.)

D-C Plate Voltage - - - - -	5000	6000	7000	volts
D-C Grid Voltage - - - - -	-375	-400	-500	volts
D-C Plate Current - - - - -	1.00	1.00	.860	amps.
D-C Grid Current - - - - -	.150	.165	.110	ma.
Grid Dissipation - - - - -	59	61	30	watts
Peak R-F Grid Input Voltage (approx.) - - - - -	850	1100	885	volts
Driving Power (approx.) - - - - -	115	160	85	watts
Plate Power Input - - - - -	5000	6000	6000	watts
Plate Dissipation - - - - -	1500	1500	1500	watts
Plate Power Output - - - - -	3500	4500	4500	watts

AUDIO FREQUENCY POWER AMPLIFIER AND MODULATOR

Class-B (Sinusoidal wave, two tubes unless otherwise specified)

MAXIMUM RATINGS

D-C PLATE VOLTAGE - - - - -	▶ 8000 MAX. VOLTS
MAX-SIGNAL D-C PLATE CURRENT, PER TUBE - - - - -	1.25 MAX. AMPS.
PLATE DISSIPATION, PER TUBE - - - - -	1500 MAX. WATTS
GRID DISSIPATION, PER TUBE - - - - -	125 MAX. WATTS

TYPICAL OPERATION

D-C Plate Voltage - - - - -	4000	5000	6000	volts
D-C Grid Voltage (approx.) - - - - -	-95	-145	-190	volts
Zero-Signal D-C Plate Current - - - - -	500	400	330	ma.
Max-Signal D-C Plate Current - - - - -	1.88	1.72	1.65	amps.
Effective Load, Plate-to-Plate - - - - -	4150	6150	8200	ohms
Peak A-F Grid Input Voltage (per tube) - - - - -	485	535	570	volts
Max-Signal Avg. Driving Power (approx.) - - - - -	95	105	115	watts
Max-Signal Plate Dissipation - - - - -	1500	1500	1450	watts
Max-Signal Plate Power Output - - - - -	4500	5400	7000	watts

(Effective 5-1-46) Copyright, 1946 by Eitel-McCullough, Inc.

▶ Indicates change from sheet dated 7-1-44.

The 2000T is a medium-mu, high-vacuum transmitting triode intended for amplifier, oscillator and modulator service. It has a maximum plate dissipation rating of 2000 watts. Cooling of the 2000T is accomplished by radiation from the plate, which operates at a visibly red temperature at maximum dissipation, and by means of forced air circulation around the envelope and at the seals.

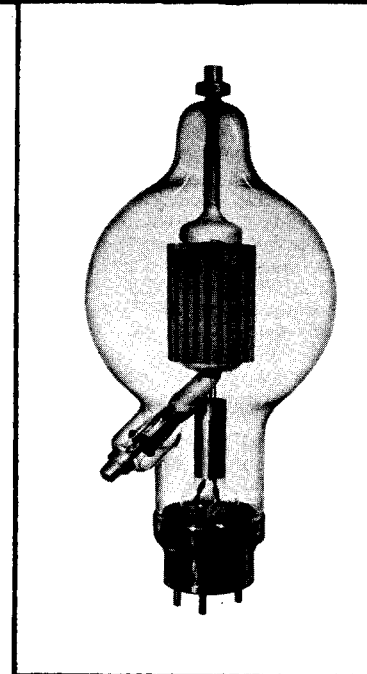
GENERAL CHARACTERISTICS

ELECTRICAL

Filament: Thoriated tungsten	
Voltage	10.0 volts
Current	25.0 amperes
Amplification Factor (Average)	23
Direct Interelectrode Capacitances (Average)	
Grid-Plate	8.5 $\mu\mu\text{fd.}$
Grid-Filament	12.7 $\mu\mu\text{fd.}$
Plate-Filament	1.7 $\mu\mu\text{fd.}$
Transconductance ($i_b = 1.75 \text{ amp.}, E_b = 6000 \text{ v.}, E_c = -95 \text{ v.}$)	11,000 μmhos

MECHANICAL

Base	Special 4-pin, No. 5006B
Basing	RMA type 4BD
Cooling	Radiation and forced air
Maximum Overall Dimensions:	
Length	17.75 inches
Diameter	8.125 inches
Net weight	3.5 pounds
Shipping weight (Average)	8.5 pounds



RADIO FREQUENCY POWER AMPLIFIER AND OSCILLATOR

Class-C Telegraphy (Key-down conditions, 1 tube)

MAXIMUM RATINGS (Frequencies below 40 Mc.)

D-C PLATE VOLTAGE	▶8000 MAX. VOLTS
D-C PLATE CURRENT	1.75 MAX. AMPS.
PLATE DISSIPATION	2000 MAX. WATTS
GRID DISSIPATION	150 MAX. WATTS

TYPICAL OPERATION (Frequencies below 40 Mc.)

D-C Plate Voltage	5000	6000	7000	volts
D-C Grid Voltage	-350	-500	-600	volts
D-C Plate Current	1.35	1.35	1.15	amps
D-C Grid Current	175	165	120	ma.
Grid Dissipation	79	78	43	watts
Peak R-F Grid Input Voltage (approx.)	900	1050	1060	volts
Driving Power, (approx.)	140	160	115	watts
Plate Power Input	6670	8000	8000	watts
Plate Dissipation	2000	2000	2000	watts
Plate Power Output	4670	6000	6000	watts

AUDIO FREQUENCY POWER AMPLIFIER AND MODULATOR

Class-B (Sinusoidal wave, two tubes unless otherwise specified)

MAXIMUM RATINGS

D-C PLATE VOLTAGE	▶8000 MAX. VOLTS
MAX-SIGNAL D-C PLATE CURRENT, PER TUBE	1.75 MAX. AMPS.
PLATE DISSIPATION, PER TUBE	2000 MAX. WATTS
GRID DISSIPATION, PER TUBE	150 MAX. WATTS

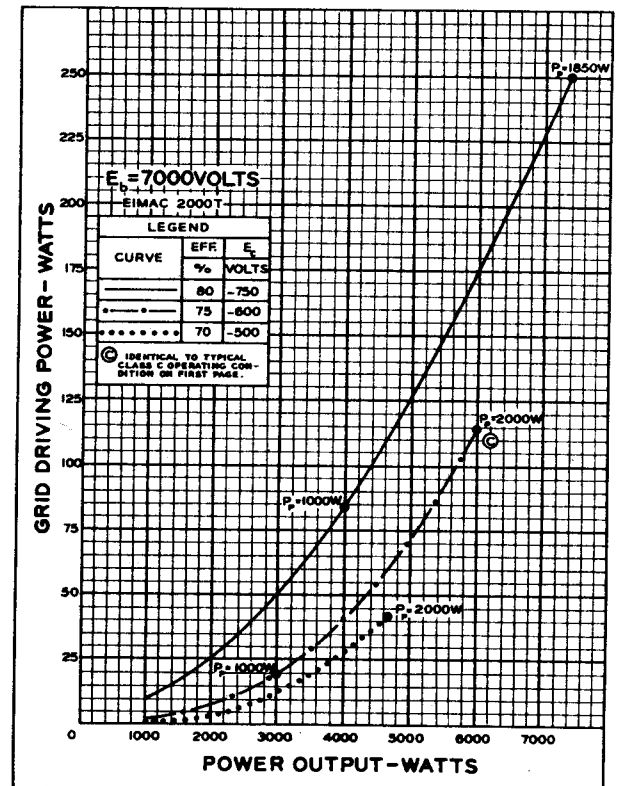
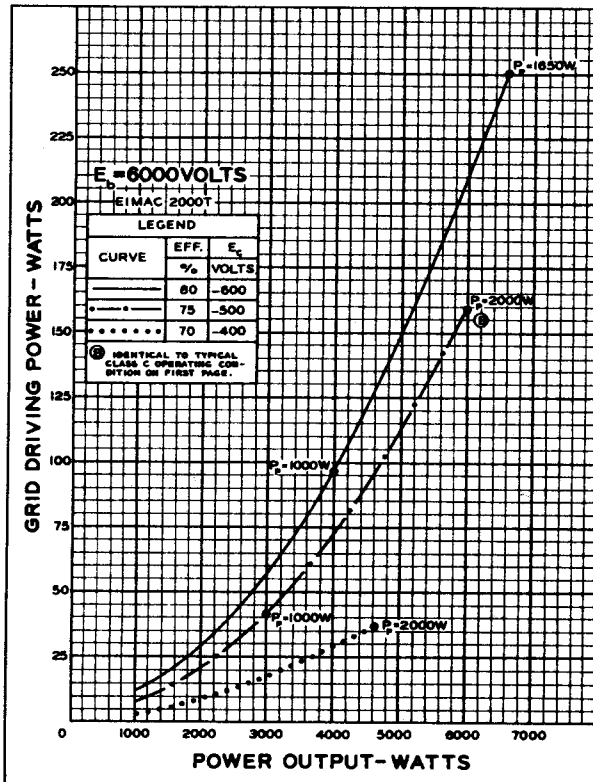
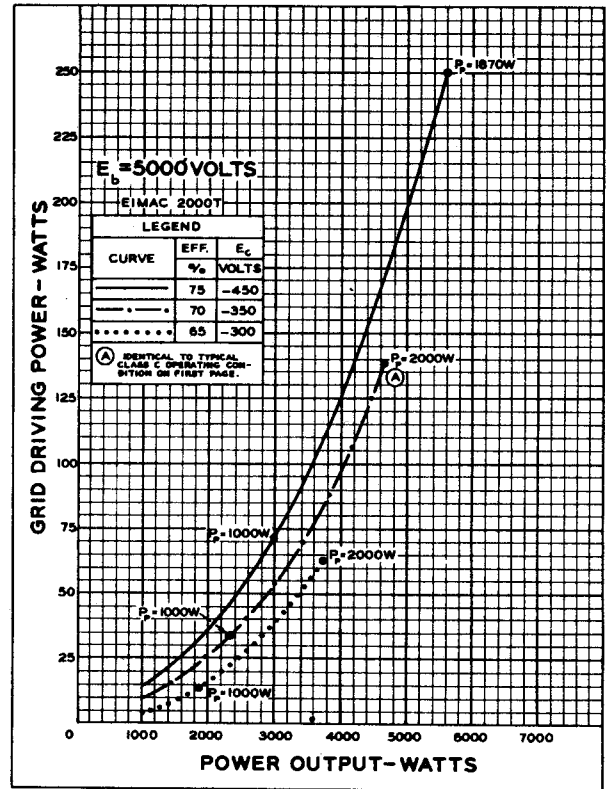
TYPICAL OPERATION

D-C Plate Voltage	5000	6000	7000	volts
D-C Grid Voltage	-180	-230	-290	volts
Zero-Signal D-C Plate Current	480	400	350	ma.
Max-Signal D-C Plate Current	2.00	1.88	1.86	amps.
Effective Load, Plate-to-Plate	4900	6650	8500	ohms
Peak A-F Grid Input Voltage (per tube)	470	525	590	volts
Max-Signal Avg. Driving Power (approx.)	50	60	75	watts
Max-Signal Peak Driving Power	178	184	212	watts
Max-Signal Plate Dissipation (per tube)	2000	1875	2000	watts
Max-Signal Plate Power Output	6000	7500	9000	watts

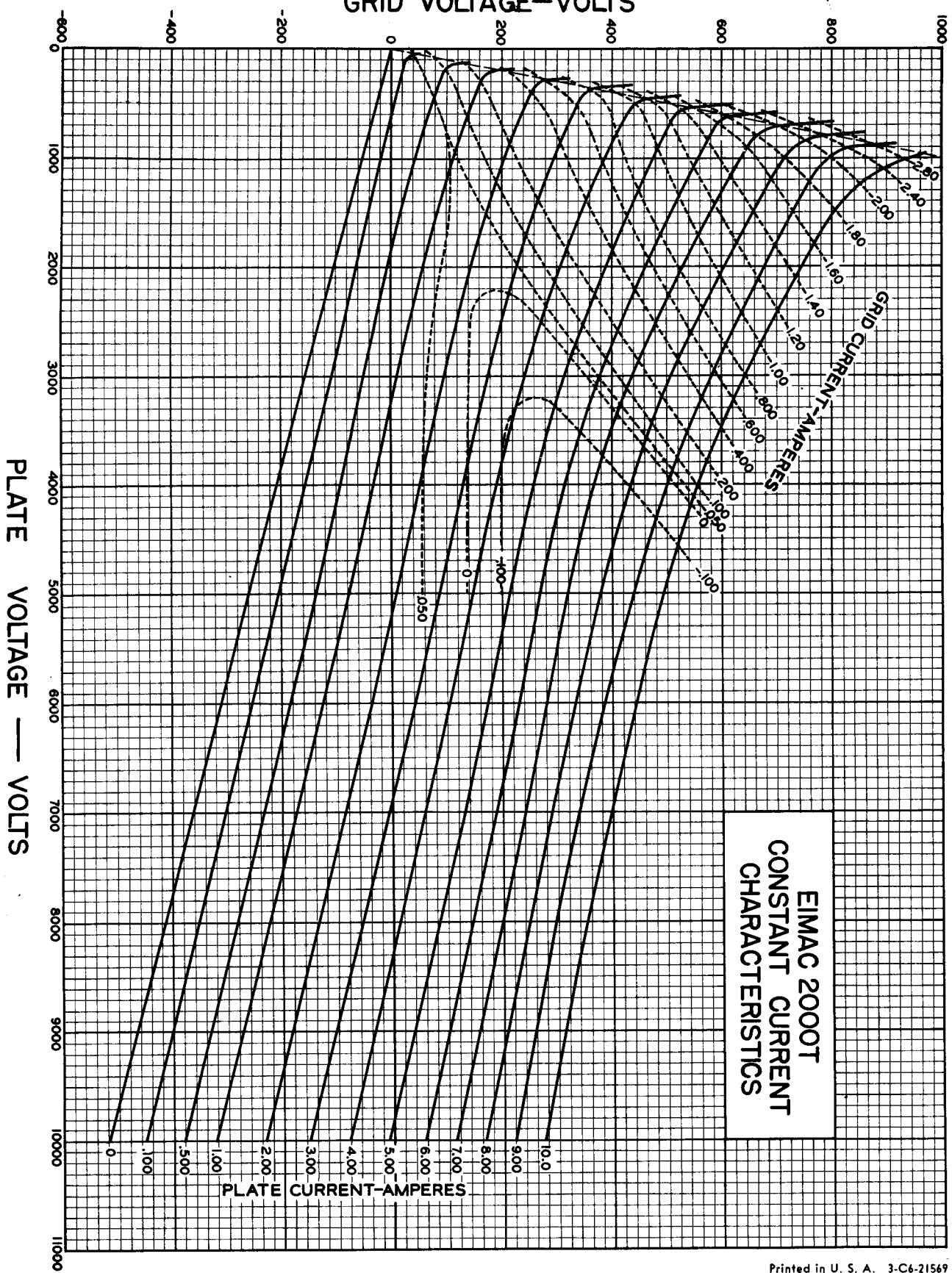
DRIVING POWER vs. POWER OUTPUT

The three charts on this page show the relationship of plate efficiency, power output and grid driving power at plate voltages of 5000, 6000, and 7000 volts. These charts show combined grid and bias losses only. The driving power and power output figures do not include circuit losses. The plate dissipation in watts is indicated by P_p .

Points A, B, and C are identical to the typical Class C operating conditions shown on the first page under 5000, 6000, and 7000 volts respectively.



GRID VOLTAGE—VOLTS



EIMAC 2000T
 CONSTANT CURRENT
 CHARACTERISTICS

EITEL-McCULLOUGH, INC.

SAN BRUNO, CALIFORNIA

3X2500A3

MEDIUM MU TRIODE

The Eimac 3X2500A3 is a medium-mu, forced-air cooled, external-anode transmitting triode incorporating features which make it suitable for effective use at frequencies well into the V. H. F. range, as well as at lower frequencies. The grid of the 3X2500A3 terminates in a ring interposed between the plate and filament, to permit maximum convenience in the use of a tube as a "grounded-grid" amplifier at high frequencies with coaxial plate and filament tank circuits. The tube is also provided with a rugged, low-inductance cylindrical filament-stem structure, which allows a smooth transition between a linear filament tank circuit and the tube. As a result of the use of these unique grid and filament terminal arrangements, it is possible to install or remove the 3X2500A3 without the aid of tools.

The 3X2500A3 is capable of delivering relatively high power output at low plate voltages. A single tube will deliver a radio-frequency output of 5000 watts at 3500 plate volts at low frequencies, and 7500 watts at 4000 plate volts at a frequency of 110 Mc.

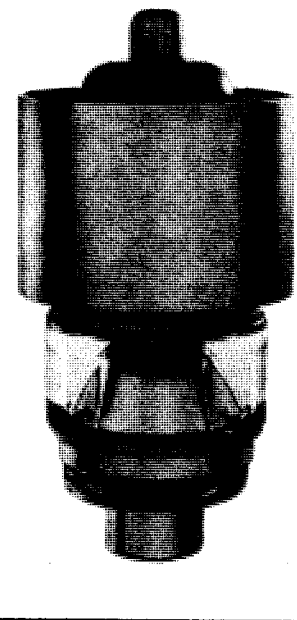
GENERAL CHARACTERISTICS

ELECTRICAL

Filament: Thoriated tungsten	
Voltage	7.5 volts
Current	48 amperes
Maximum starting current	100 amperes
Amplification Factor (Average)	20
Direct Interelectrode Capacitances (Average)	
Grid-Plate	20 $\mu\text{mfd.}$
Grid-Filament	48 $\mu\text{mfd.}$
Plate-Filament	1.2 $\mu\text{mfd.}$
Transconductance ($i_b = 830 \text{ ma.}, E_b = 3000 \text{ v.}$)	20,000 μmhos

MECHANICAL

Cooling	Forced air ¹
Maximum Overall Dimensions:	
Length	9.0 inches
Diameter	4.25 inches
Net Weight	5.8 pounds
Shipping Weight (Average)	17 pounds



RADIO FREQUENCY POWER AMPLIFIER OR OSCILLATOR (Conventional Neutralized Amplifier)

Class-C Telephony (Key-down conditions, per tube)

▶ MAXIMUM RATINGS (Frequencies below 50 Mc.)

D-C PLATE VOLTAGE	5000 MAX VOLTS
D-C PLATE CURRENT	2.0 MAX. AMPS
PLATE DISSIPATION ¹	2500 MAX. WATTS
PLATE COOLER CORE TEMPERATURE	150 MAX. °C
GRID DISSIPATION	150 MAX. WATTS

▶ TYPICAL OPERATION (Frequencies below 50 Mc., per tube)

D-C Plate Voltage	3500	4000	5000	volts
D-C Grid Voltage	-420	-360	-400	volts
D-C Plate Current	1.8	1.4	2	amps.
D-C Grid Current	500	425	475	ma.
Peak R-F Grid Input Voltage	735	630	710	volts
Driving Power (Approx.)	325	238	338	watts
Grid Dissipation	120	88	148	watts
Plate Input	6300	6400	10,000	watts
Plate Dissipation	1300	1400	2500	watts
Plate Power Output	5000	5000	7500	watts

RADIO FREQUENCY POWER AMPLIFIER Grounded-Grid Circuit

Class-C F-M Telephony

▶ MAXIMUM RATINGS (Frequencies between 85 and 110 Mc.)

D-C PLATE VOLTAGE	4000 MAX. VOLTS
D-C PLATE CURRENT	2.0 MAX. AMPS
PLATE DISSIPATION ¹	2500 MAX. WATTS
PLATE COOLER CORE TEMPERATURE	150 MAX. °C
GRID DISSIPATION	150 MAX. WATTS

▶ TYPICAL OPERATION (110 Mc., per tube)

D-C Plate Voltage	3700	4000	volts
D-C Grid Voltage	-450	-550	volts
D-C Plate Current	1.8	1.85	amps.
D-C Grid Current	225	275	ma.
Driving Power (Approx.)	1400	1900	watts
Useful Power Output	6850	7500	watts

¹ A minimum flow of 120 cubic feet of air per minute must be passed through the plate cooler. The pressure drop across the cooler at this flow equals 1.6" of water. A minimum air flow of 6 cubic feet per minute must also be directed toward the filament stem structure, be-

tween the inner and outer filament conductors. Cooling air in the above quantities must be supplied to both plate cooler and filament seals before applying filament voltage and should be continued for five minutes after the filament power is removed.

▶ Indicates change from sheet dated 1-15-47.

EITEL-McCULLOUGH, INC.
 SAN BRUNO, CALIFORNIA

3X2500F3
 MEDIUM MU TRIODE

The Eimac 3X2500F3 is a medium-mu, forced air-cooled, external-anode power triode capable of high output at relatively low plate voltages. A single tube will deliver a radio-frequency plate power output of 5000 watts at a plate voltage of 3500.

Flexible grid and filament leads simplify socketing and equipment design for industrial and communication frequencies below 50 Mc. The grid lead is detachable so that for grounded-grid operation, complete external shielding may be used between plate and filament circuits.

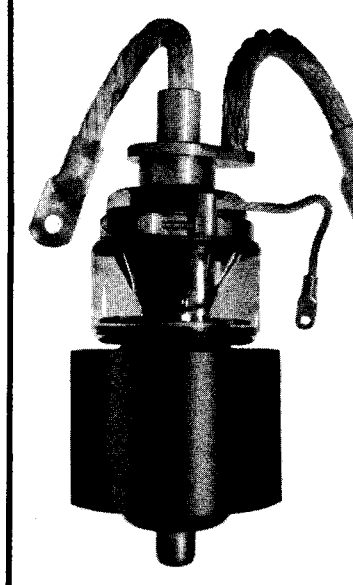
GENERAL CHARACTERISTICS

ELECTRICAL

Filament: Thoriated tungsten	
Voltage - - - - -	7.5 volts
Current - - - - -	48 amperes
Maximum starting current - - - - -	100 amperes
Amplification Factor (Average) - - - - -	20
Direct Interelectrode Capacitances (Average)	
Grid-Plate - - - - -	20 $\mu\mu\text{fd.}$
Grid-Filament - - - - -	48 $\mu\mu\text{fd.}$
Plate-Filament - - - - -	1.2 $\mu\mu\text{fd.}$
Transconductance ($i_b=830 \text{ ma.}, E_b=3000 \text{ v.}$) - - - - -	20,000 μmhos

MECHANICAL

Cooling - - - - -	Forced air ¹
Maximum Overall Dimensions:	
Length - - - - -	10 inches
Diameter - - - - -	4.25 inches
Net Weight - - - - -	7.5 pounds
Shipping Weight (Average) - - - - -	17 pounds



RADIO FREQUENCY POWER AMPLIFIER

Conventional Neutralized Amplifier

Class-C Telegraphy (Key-down conditions, per tube)

MAXIMUM RATINGS (Frequencies below 50 Mc.)

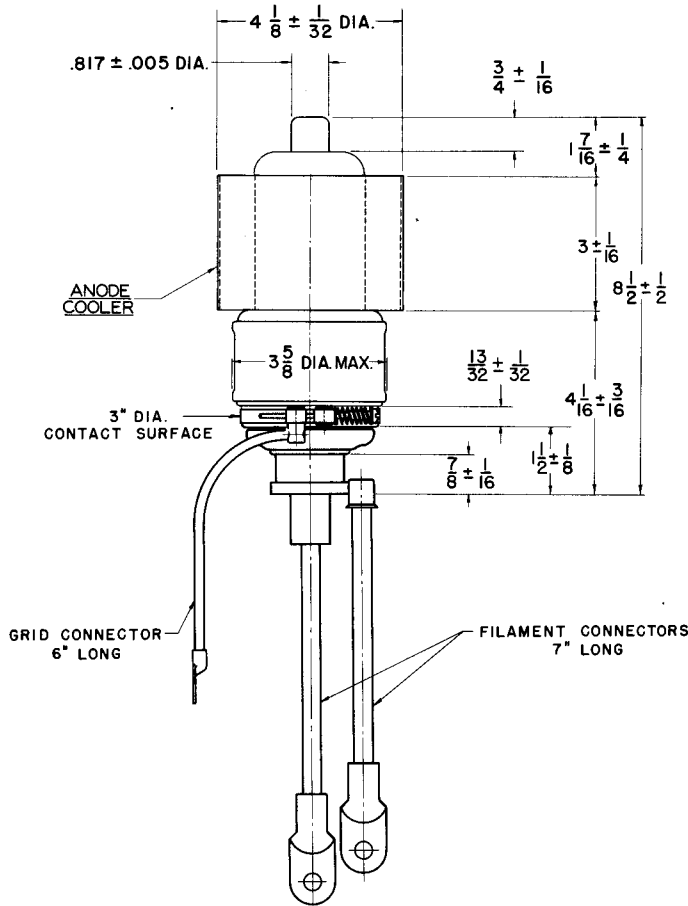
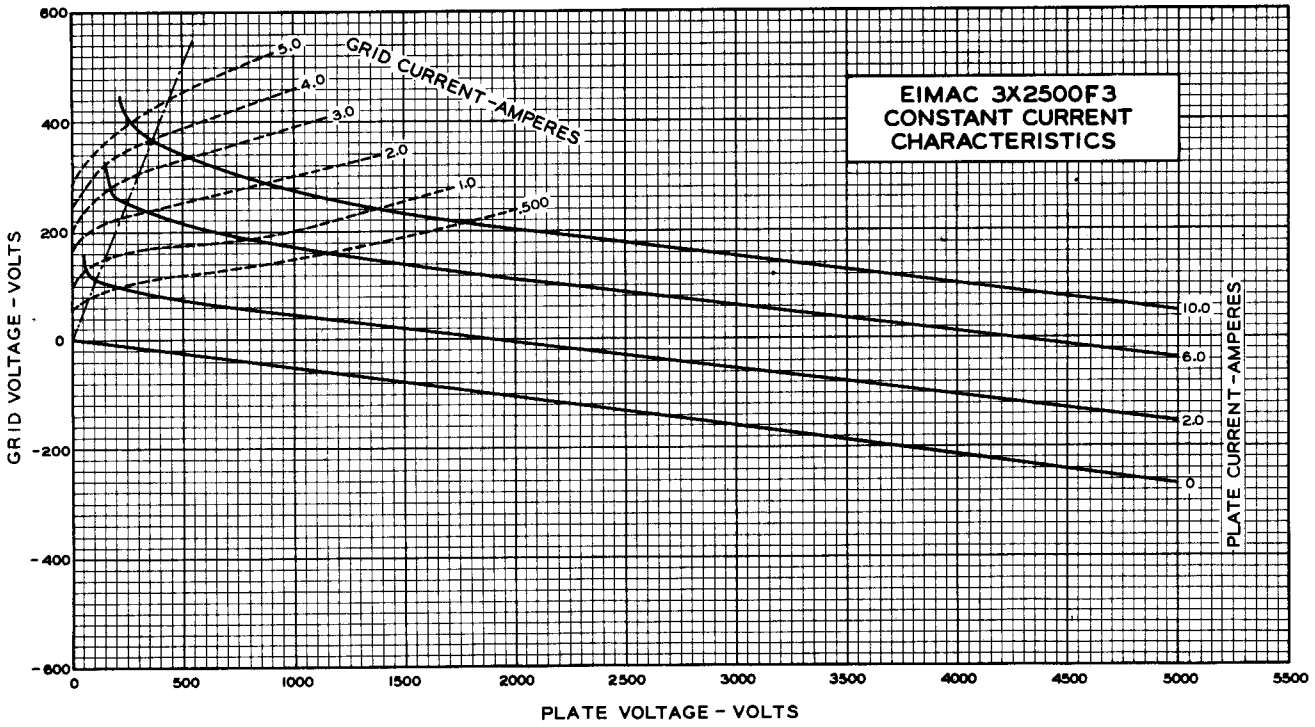
D-C PLATE VOLTAGE - - - - -	5000 MAX. VOLTS
D-C PLATE CURRENT - - - - -	2.0 MAX. AMPS
PLATE DISSIPATION ¹ - - - - -	2500 MAX. WATTS
PLATE COOLER CORE TEMPERATURE - - - - -	150 MAX. °C
GRID DISSIPATION - - - - -	150 MAX. WATTS

TYPICAL OPERATION

D-C Plate Voltage - - - - -	3500	4000	5000	volts
D-C Grid Voltage - - - - -	-420	-360	-400	volts
D-C Plate Current - - - - -	1.8	1.6	2	amps
D-C Grid Current - - - - -	500	425	475	ma.
Peak R-F input Voltage - - - - -	735	630	710	volts
Driving Power (approx.) - - - - -	325	238	338	watts
Grid Dissipation - - - - -	120	88	148	watts
Plate Input - - - - -	6300	6400	10000	watts
Plate Dissipation - - - - -	1300	1400	2500	watts
Plate Power Output - - - - -	5000	5000	7500	watts

¹ A minimum flow of 120 cubic feet of air per minute must be passed through the plate cooler. The pressure drop across the cooler at this flow equals 1.6" of water. A minimum air flow of 6 cubic feet per minute must also be directed toward the filament stem structure, be-

tween the inner and outer filament conductors. Cooling air in the above quantities must be supplied to both plate cooler and filament seals before applying filament voltage, and should be continued for five minutes after the filament power is removed.



TENTATIVE DATA

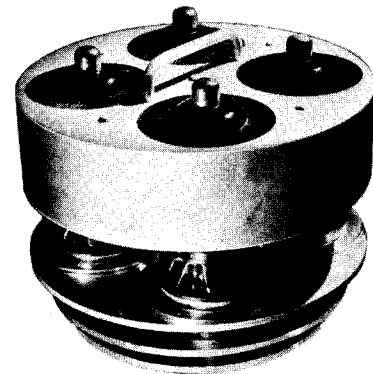
EITEL-McCULLOUGH, INC.
SAN BRUNO, CALIFORNIA

3X12500A3

Medium Mu Triode

The Eimac 3X12500A3 is a medium-mu, forced-air cooled, external anode transmitting triode incorporating features which make it suitable for effective use at frequencies well into the vhf region, as well as at lower frequencies. Close electrode spacings and maximum utilization of electrode areas are made possible through the multi-unit design, which allows the production of high power at exceptionally low plate voltage, thus reducing circuit losses to an insignificant amount.

As a push-pull grounded-grid 110-Mc FM amplifier, a pair of 3X12500A3's will deliver a useful output of over 50 kilowatts at a plate voltage of 3700 volts. As a conventional grounded-filament amplifier, a power output of 30 kilowatts per tube may be obtained in class-C telegraphy service.



GENERAL CHARACTERISTICS

ELECTRICAL

Filament: Thoriated tungsten

Voltage	- - - - -	7.5	volts
Current	- - - - -	192	amperes
Maximum starting current	- - - - -	400	amperes

Amplification Factor (Average)	- - - - -	20
Direct Interelectrode Capacitances (Average)		
Grid-Plate	- - - - -	95 μ f.
Grid Filament	- - - - -	240 μ f.
Plate Filament	- - - - -	5 μ f.
Transconductance ($e_b=3000$ v., $i_b=4$ a.)	- - - - -	80,000 μ mhos

MECHANICAL

Cooling	- - - - -	Forced air ¹
Maximum Overall Dimensions		
Length	- - - - -	9.5 inches
Diameter	- - - - -	11.1 inches
Net Weight	- - - - -	32 pounds
Shipping Weight (Average)	- - - - -	80 pounds

RADIO FREQUENCY POWER AMPLIFIER

Grounded-Grid Circuit

Class-C FM Telephony or Telegraphy

MAXIMUM RATINGS (Frequencies below 110 Mc.)

D-C PLATE VOLTAGE	- - - - -	4000 MAX. VOLTS
D-C PLATE CURRENT	- - - - -	8 MAX. AMPS.
PLATE DISSIPATION ¹	- - - - -	12,500 MAX. WATTS
GRID DISSIPATION	- - - - -	600 MAX. WATTS

TYPICAL OPERATION (110 Mc., per tube)

D-C Plate Voltage	- - - - -	3700	4000	volts
D-C Grid Voltage	- - - - -	-450	-550	volts
D-C Plate Current	- - - - -	7.2	7.4	amps.
D-C Grid Current	- - - - -	0.9	1.1	amps
Driving Power (approx.)	- - - - -	6.4	7.6	kw
Useful Power Output	- - - - -	27.4	30	kw

RADIO FREQUENCY POWER AMPLIFIER OR OSCILLATOR

Grounded-Filament Circuit

Class-C Telegraphy (Key-down conditions, per tube)

MAXIMUM RATINGS (Frequencies below 85 Mc.)

D-C PLATE VOLTAGE	- - - - -	5000 MAX. VOLTS
D-C PLATE CURRENT	- - - - -	8 MAX. AMPS.
PLATE DISSIPATION ¹	- - - - -	12,500 MAX. WATTS
GRID DISSIPATION	- - - - -	600 MAX. WATTS

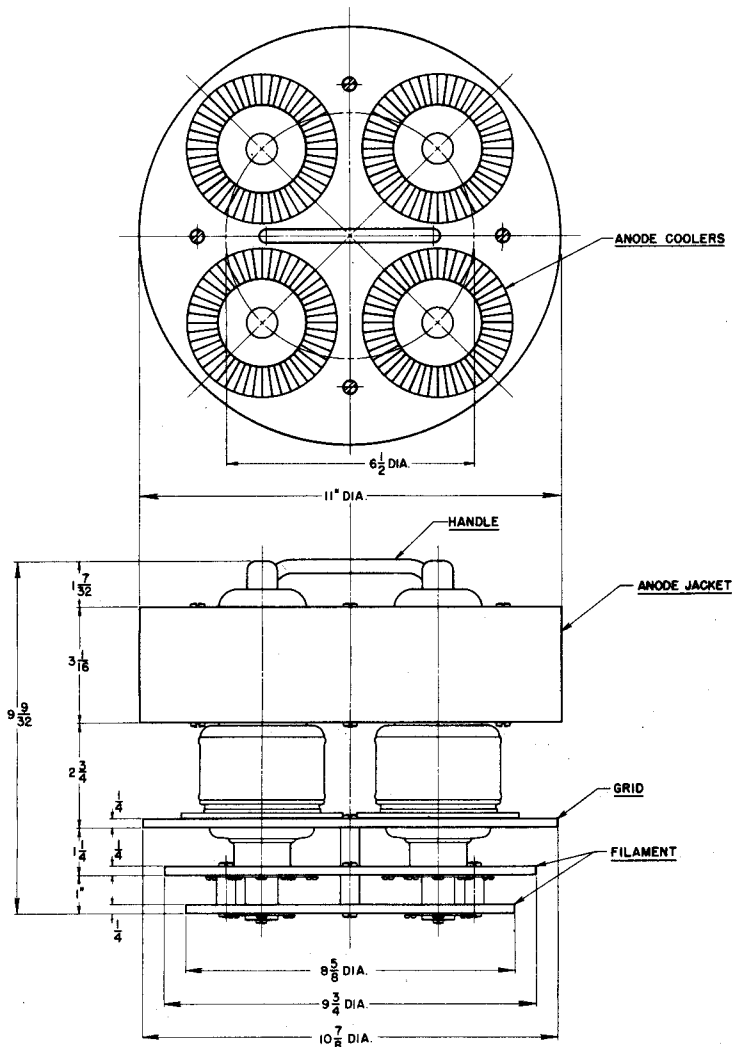
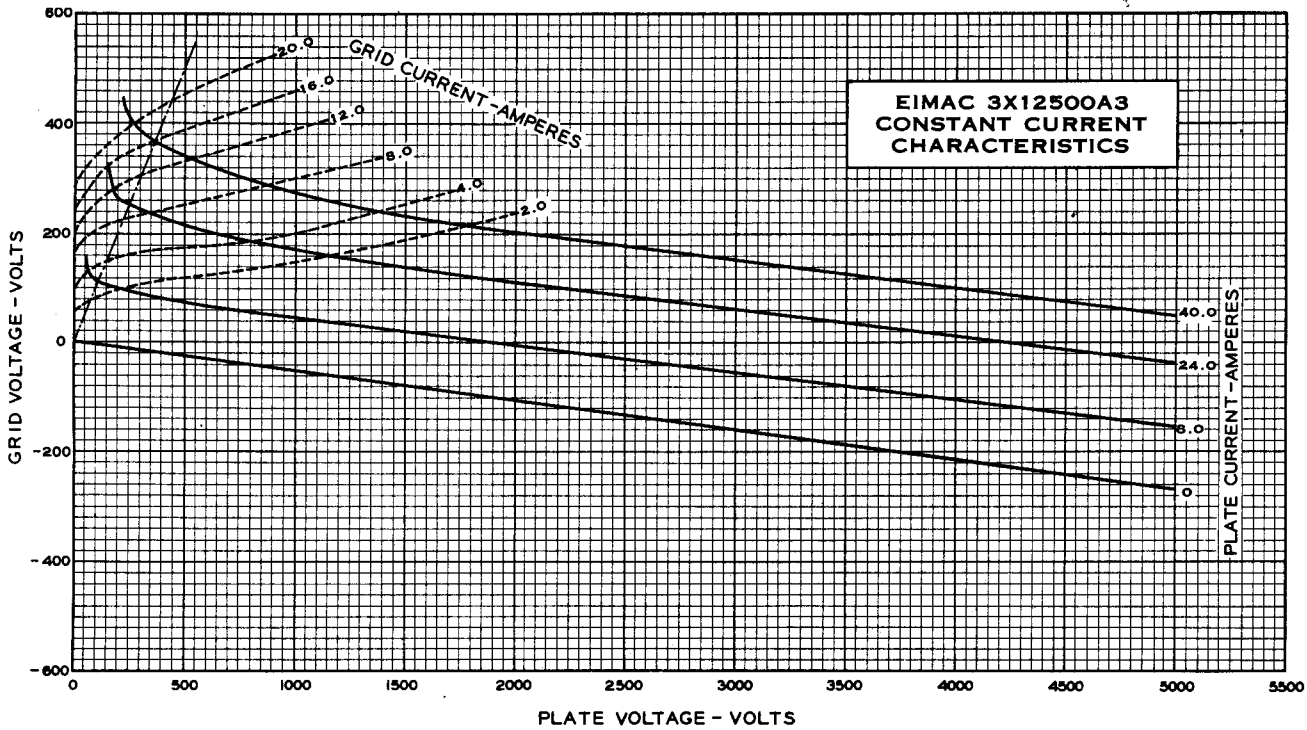
TYPICAL OPERATION (Frequencies below 50 Mc., per tube)

D-C Plate Voltage	- - - - -	3500	4000	5000	volts
D-C Grid Voltage	- - - - -	-420	-360	-400	volts
D-C Plate Current	- - - - -	7.2	6.4	8	amps
D-C Grid Current	- - - - -	2	1.7	1.9	amps
Peak R-F Grid Input Voltage	- - - - -	735	630	710	volts
Driving Power (Approx.)	- - - - -	1.3	0.95	1.35	kw
Grid Dissipation	- - - - -	480	350	590	watts
Plate Input	- - - - -	25.2	25.6	40	kw
Plate Dissipation	- - - - -	5.2	5.6	10	kw
Plate Power Output	- - - - -	20	20	30	kw

¹ A minimum flow of 400 cubic feet of air per minute must be passed through the plate cooler. The pressure drop across the cooler at this flow equals 1.5" of water. A minimum air flow of 200 cubic feet per minute must also be directed toward the filament end of the tube. The pressure required for filament-structure cooling is low, and depends upon the details of the tube mounting. Preference should be given to

filament-structure cooling systems which allow air to enter or exhaust through the central hole in the lower filament strapping plate. Cooling air in the above amounts must be applied to both the plate cooler and filament assembly before applying filament voltage and should be continued for five minutes after the filament power is removed.

▶ Indicates change from sheet dated 2-25-47



VACUUM CAPACITOR

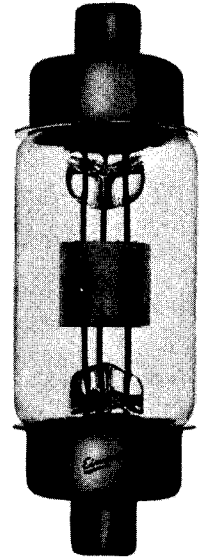
EITEL-McCULLOUGH, INC.
SAN BRUNO, CALIFORNIA

VC50-32 VC50-2
VC25-32 VC25-2
VC12-32 VC12-2
VC6-32 VC6-2

Eimac vacuum capacitors are small, vacuum-dielectric units intended principally for use as all or part of the plate tank capacitance in radio-frequency amplifiers or oscillators. They are also frequently used as high-voltage coupling and by-pass capacitors at high frequencies and as high-voltage neutralizing capacitors, when used in conjunction with small high-voltage variable capacitors having a small capacitance range. The use of a vacuum as a dielectric permits the construction of a comparatively small, lightweight capacitor for a given voltage rating and capacitance. In addition, the effects of dust and atmospheric conditions on the capacitor are eliminated by sealing the plates within a glass envelope.

These capacitors are manufactured in two maximum peak voltage ratings, 32,000 and 20,000 volts, and in capacitances of 6, 12, 25 and 50 uufd. All types have a maximum current rating of 28 amperes. Each of the capacitors may be operated at its full maximum voltage rating at any frequency below that at which the rms current through the capacitor is 28 amperes. Above this frequency, the r-f voltage across the capacitor must be reduced as the frequency increases, to prevent the current from exceeding the maximum rating. The graphs below show the maximum peak r-f voltage which may be applied to each type of capacitor at frequencies between 100 kilocycles and 50 megacycles. Curves are also shown which indicate the rms current flowing through the capacitor under maximum r-f voltage conditions at any frequency between 100 kilocycles and 50 megacycles. Where both r-f and d-c voltages are applied to the capacitor, the sum of the peak r-f and d-c voltages must not exceed the peak voltage rating of the capacitor.

Eimac vacuum capacitors are provided with terminals which allow the use of standard 60-ampere fuse clips for mounting. These clips must be kept clean and must at all times make firm and positive contact with the capacitor terminals. Failure to maintain a low-resistance contact to the capacitor terminals may result in excessive heating and permanent damage to the capacitor seals.

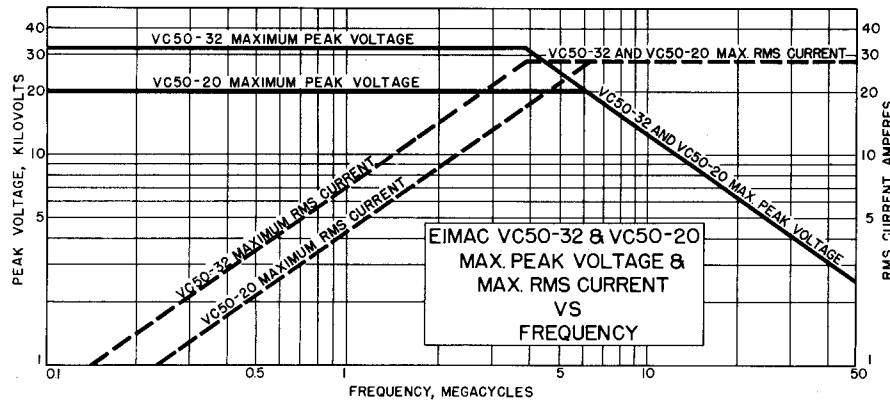


VC50-32

Capacitance* 50 $\mu\mu\text{fd.}$
Max. Peak Voltage 32,000 volts
Max. RMS Current 28 amps.

VC50-20

Capacitance* 50 $\mu\mu\text{fd.}$
Max. Peak Voltage 20,000 volts
Max. RMS Current 28 amps.

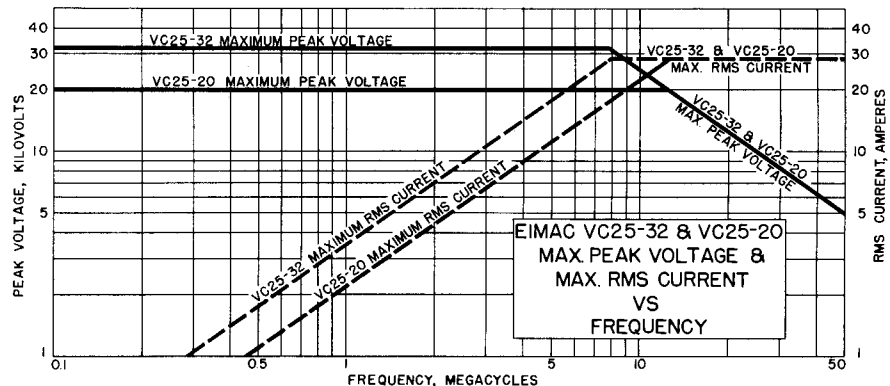


VC25-32

Capacitance* 25 $\mu\mu\text{fd.}$
Max. Peak Voltage 32,000 volts
Max. RMS Current 28 amps.

VC25-20

Capacitance* 25 $\mu\mu\text{fd.}$
Max. Peak Voltage 20,000 volts
Max. RMS Current 28 amps.

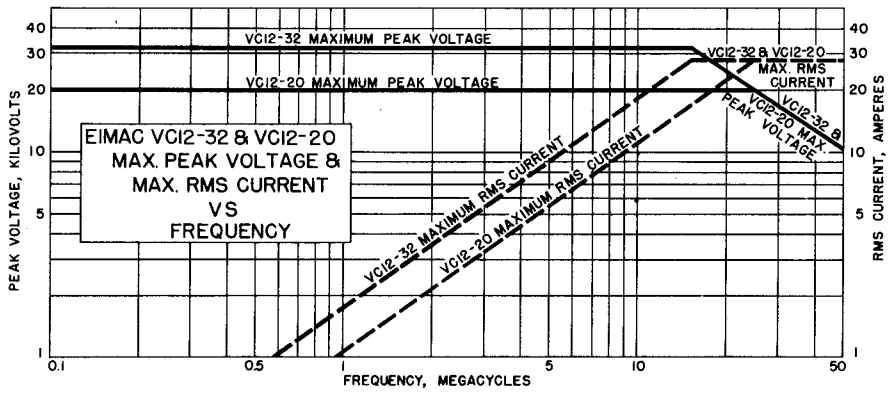


VC12-32

Capacitance* 12 $\mu\mu\text{fd.}$
 Max. Peak Voltage 32,000 volts
 Max. RMS Current 28 amps.

VC12-20

Capacitance* 12 $\mu\mu\text{fd.}$
 Max. Peak Voltage 20,000 volts
 Max. RMS Current 28 amps.

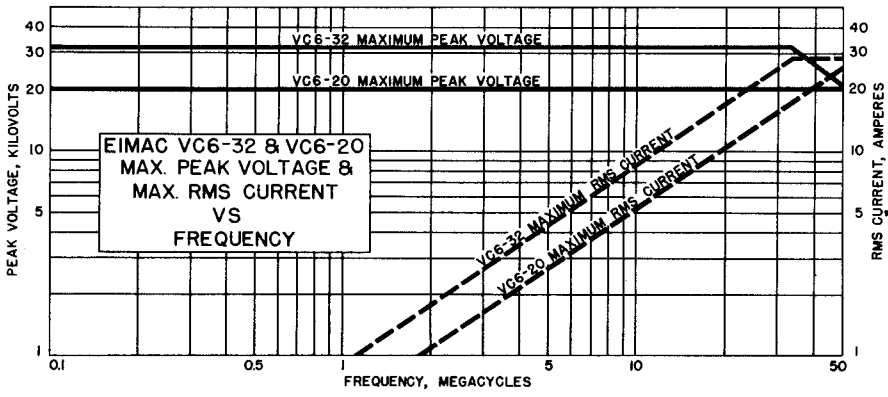


VC6-32

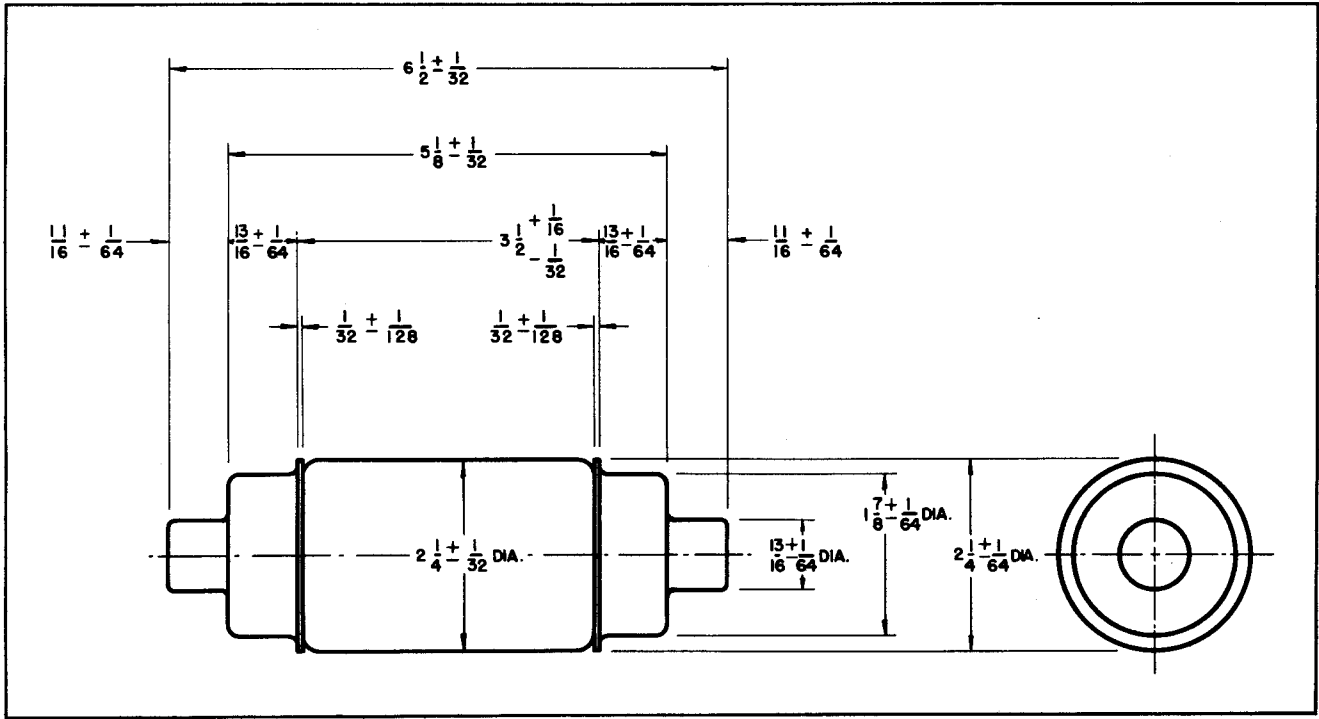
Capacitance* 6 $\mu\mu\text{fd.}$
 Max. Peak Voltage 32,000 volts
 Max. RMS Current 28 amps.

VC6-20

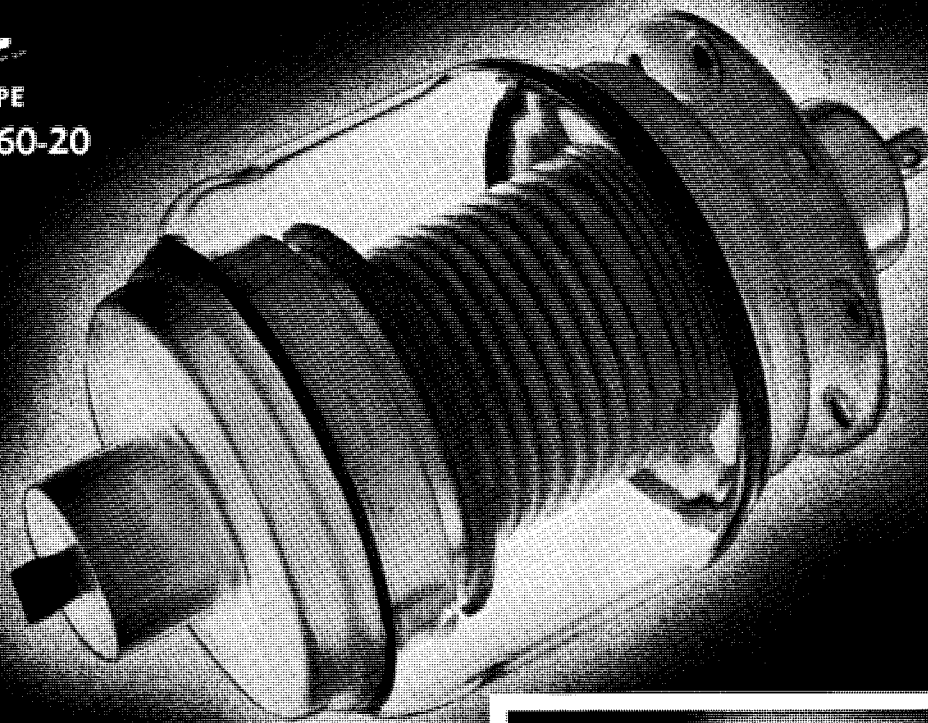
Capacitance* 6 $\mu\mu\text{fd.}$
 Max. Peak Voltage 20,000 volts
 Max. RMS Current 28 amps.



*Tolerances:
 VC50-32, VC50-20 $\pm 1 \mu\mu\text{fd.}$; VC25-32, VC25-20 $\pm 1 \mu\mu\text{fd.}$; VC12-32, VC12-20 $\pm 1 \mu\mu\text{fd.}$; VC6-32, VC6-20 $\pm 0.5 \mu\mu\text{fd.}$



Eimac
TYPE
VVC 60-20



NOW . . . VARIABLE VACUUM CAPACITORS . . . by EIMAC

Here at last is a dependable variable vacuum capacitor that is physically designed for practical application. Every detail of construction makes the Eimac VVC series the standout variable vacuum capacitor component for your equipment. Here is supreme performance and dependability as only Eimac research and engineering can provide.

CHECK THESE FEATURES

PRACTICAL MOUNTING . . . designed for wide application, the base plate on the single units mounts on panel for direct control, or vertically on chassis for control from a flexible shaft or angular control. Multiple units are conveniently bracketed for chassis and panel installation.

COMPACT SIZE . . . the single unit VVC-60 is but 3 inches in diameter and 5 inches in length. Multiple units are proportionally larger.

COPPER COMPONENTS . . . for increased R-F conductivity and minimum internal losses. All contact surfaces are silver plated.

MECHANICALLY RUGGED . . . bellows, bearings and adjusting mechanism designed to withstand excessive use and provide long life.

SIMPLE CONTROL . . . single and multiple units vary capacitance by rotation of a single knob. Return to previously indexed settings is positive.

For further information see your Eimac dealer or write direct.

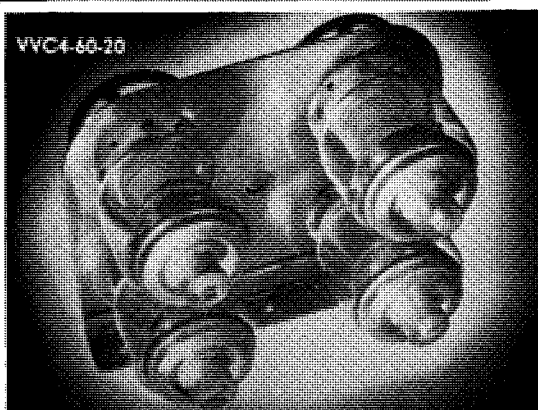
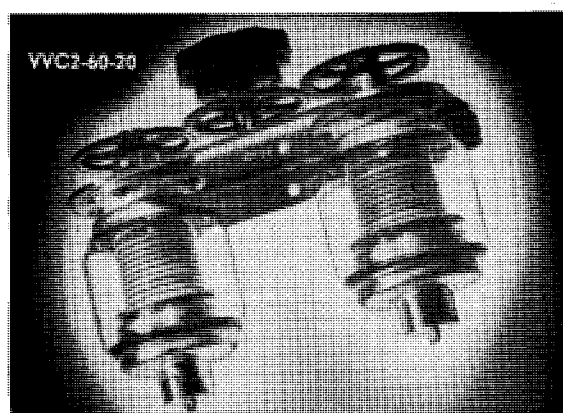
EITEL-McCULLOUGH, INC.

194 San Mateo Avenue, San Bruno, California

EXPORT AGENTS: Frazer & Hansen—301 Clay St.—San Francisco, Calif.

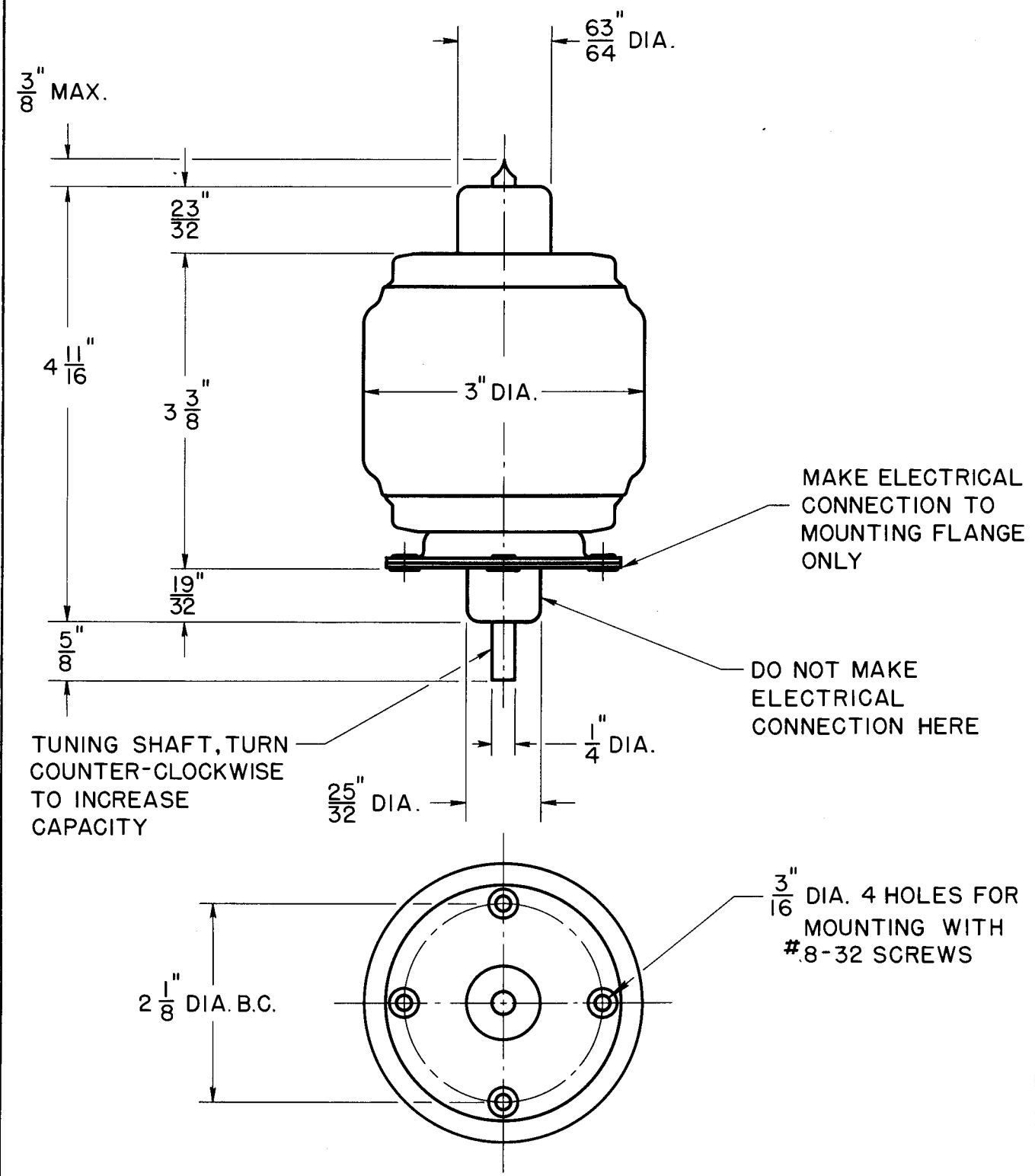
Follow the Leaders to

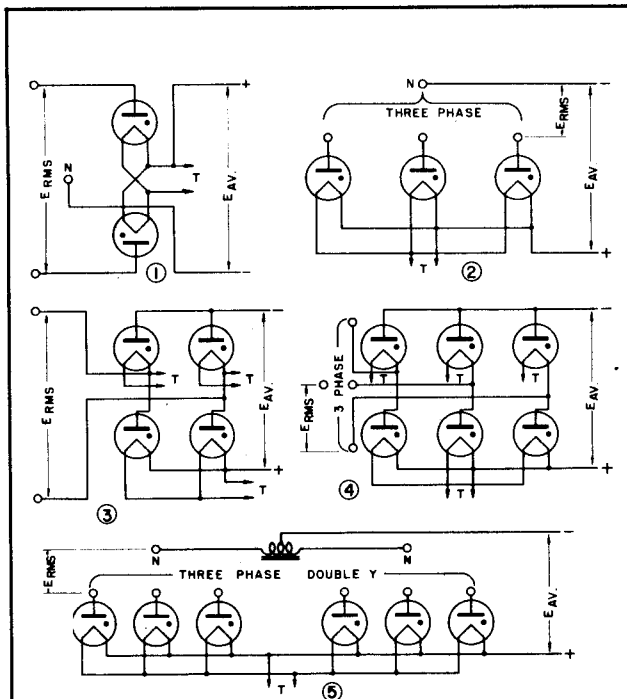
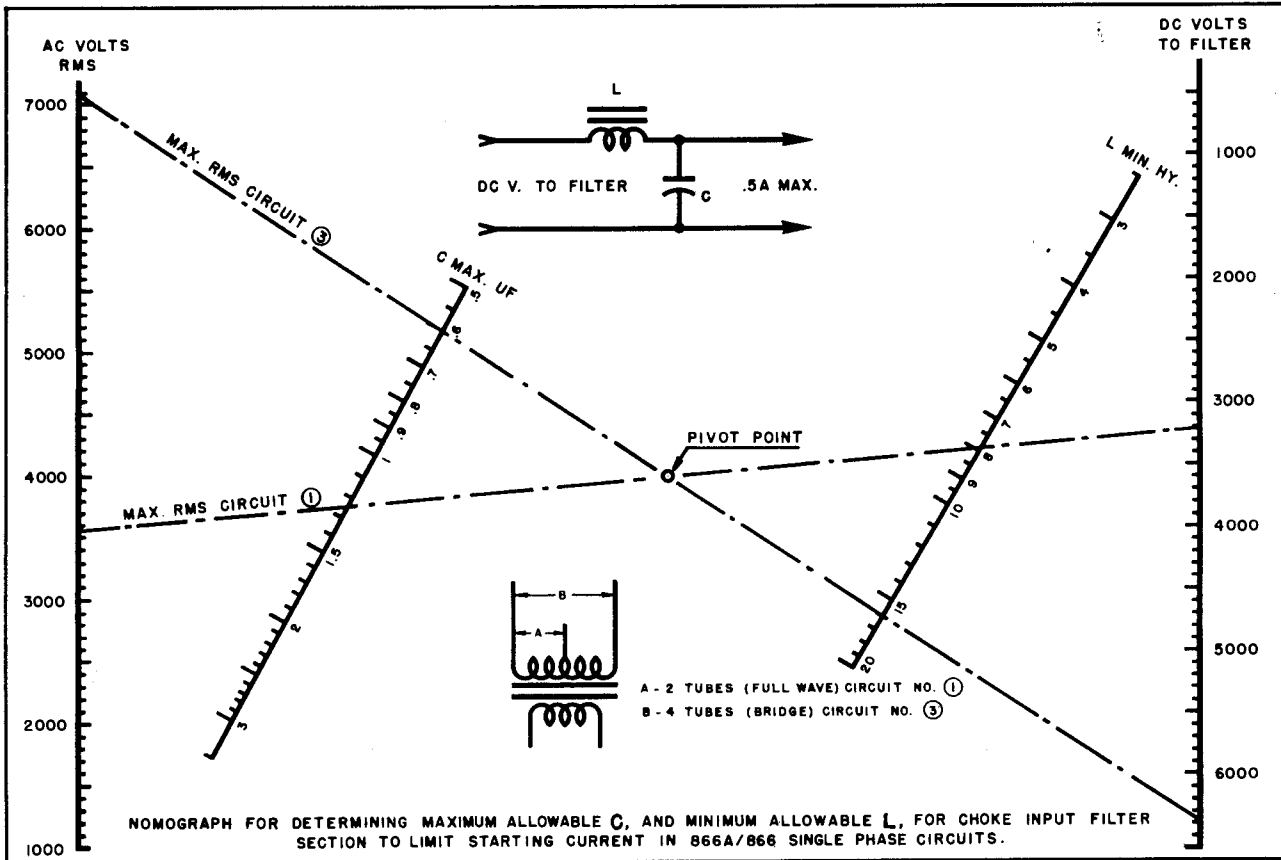
Eimac
REG. U. S. PAT. OFF.
TUBES
The Power for R-F



GENERAL CHARACTERISTICS

	Capacity	R-F Peak Voltage	Maximum RMS Current
VVC 60-20	10-60 mmf.	20-KV	40 amp.
VVC2-60-20 Parallel	20-120 mmf.	20-KV	80 amp.
Split-stator	5-30 mmf.	40-KV	40 amp.
VVC4-60-20 Parallel	40-240 mmf.	20-KV	160 amp.
Split-stator	10-60 mmf.	40-KV	80 amp.





NUMBER	CIRCUIT	E AVERAGE	E INVERSE	I AVERAGE
①	SINGLE - PHASE FULL - WAVE 2 TUBES	0.318 E MAXIMUM 0.450 E RMS	3.14 E AVERAGE	0.636 I MAXIMUM
②	THREE - PHASE HALF - WAVE 3 TUBES	0.827 E MAXIMUM 1.170 E RMS	2.09 E AVERAGE	0.827 I MAXIMUM
③	SINGLE - PHASE FULL - WAVE 4 TUBES	0.636 E MAXIMUM 0.900 E RMS	1.57 E AVERAGE	0.636 I MAXIMUM
④	THREE - PHASE FULL - WAVE 4 TUBES	1.65 E MAXIMUM 2.34 E RMS	1.045 E AVERAGE	0.955 I MAXIMUM
⑤	THREE - PHASE DOUBLE - Y PARALLEL 4 TUBES	0.827 E MAXIMUM 1.170 E RMS	2.09 E AVERAGE	1.91 I MAXIMUM

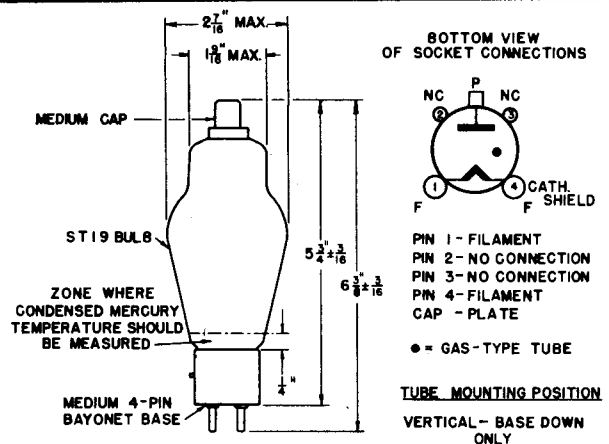
CONDITIONS ASSUMED

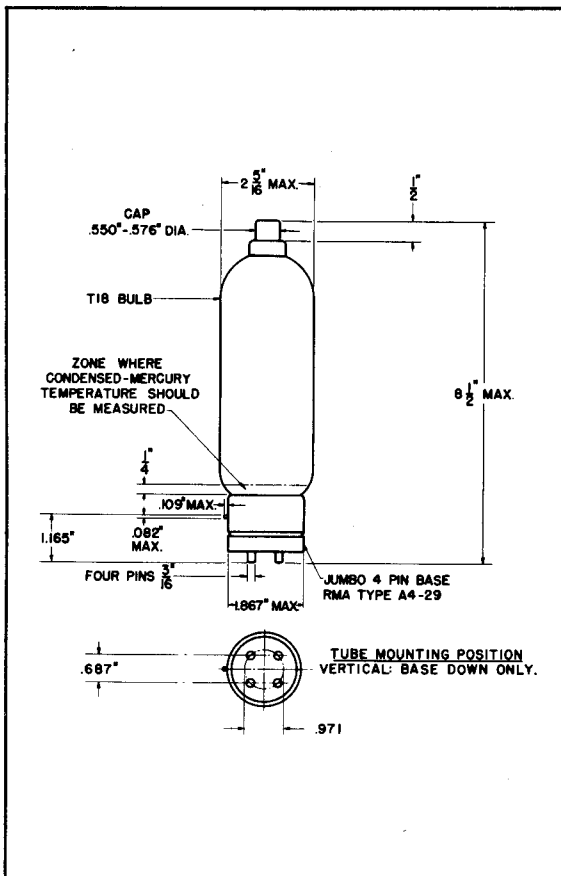
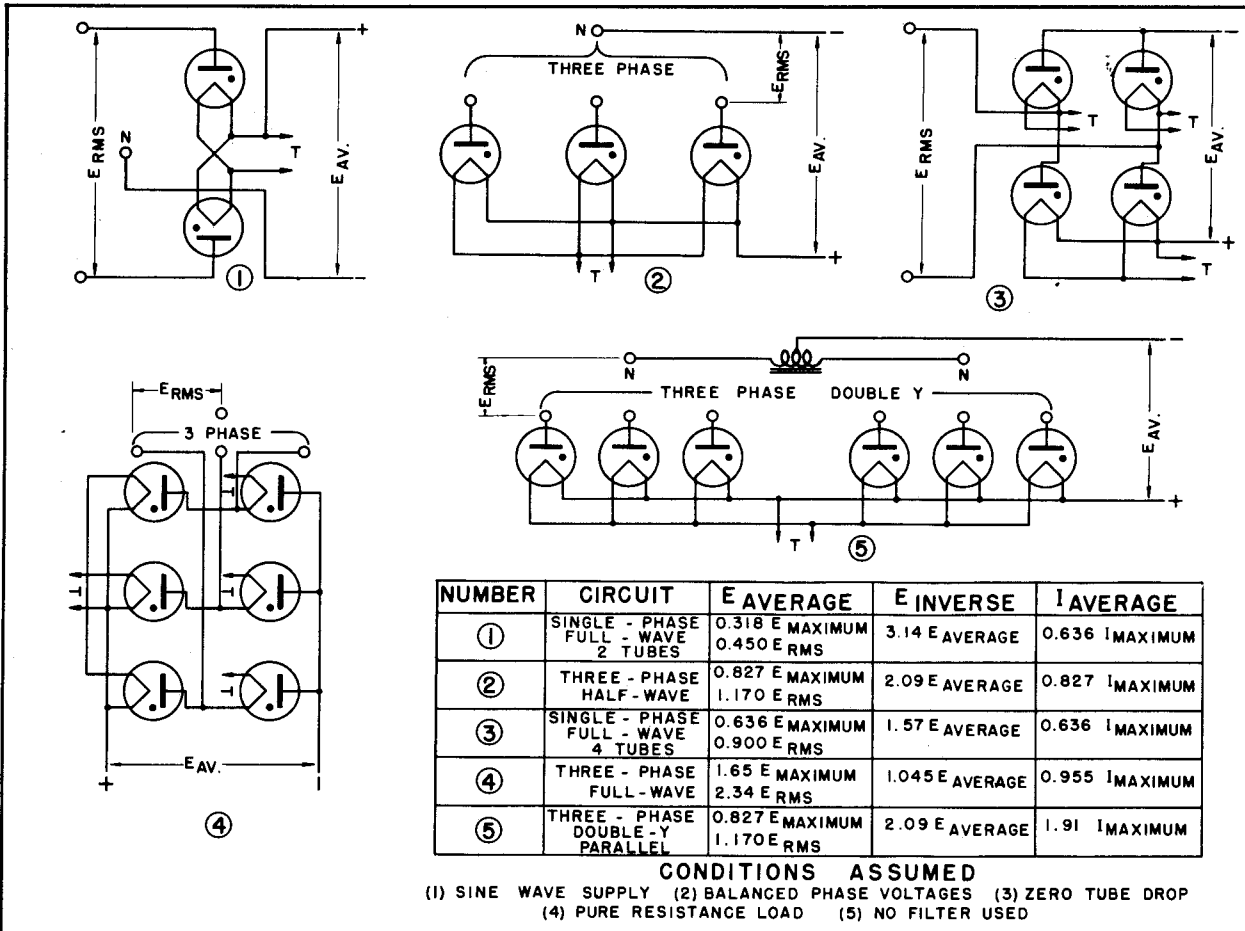
- (1) SINE WAVE SUPPLY (2) BALANCED PHASE VOLTAGES (3) ZERO TUBE DROP (4) PURE RESISTANCE LOAD (5) NO FILTER USED

CIRCUIT	A-C INPUT VOLTS** (RMS)	MAX. D-C OUTPUT VOLTS TO FILTER	CHOKE INPUT ONE-SECTION FILTER		MAX. D-C LOAD CURRENT amperes
			MIN. CHOKE (L) henrys	MAX. CON-DENSER TO (C) uf	
THREE-PHASE HALF-WAVE CIRCUIT 2	per leg				
	4080	4780	3.2	1.4	0.75
	3000	3510	2.2	2.0	0.75
	2000	2340	1.4	3.0	0.75
THREE-PHASE FULL-WAVE CIRCUIT 4	per leg				
	4080	9570	1.8	0.5	0.75
	3000	7020	1.4	0.7	0.75
	2000	4680	0.9	1.2	0.75
THREE-PHASE DOUBLE-Y PARALLEL CIRCUIT 5	per leg				
	4080	4780	2.0	0.5	1.5
	3000	3510	1.5	0.7	1.5
	2000	2340	1.0	1.1	1.5
SINGLE PHASE FULL-WAVE (2 tubes) CIRCUIT 1*	per tube				
	3535	3950	—	—	0.25
	3000	3390	—	—	0.25
	2000	2260	—	—	0.25
1500	1700	—	—	0.25	

* With condenser input to filter.

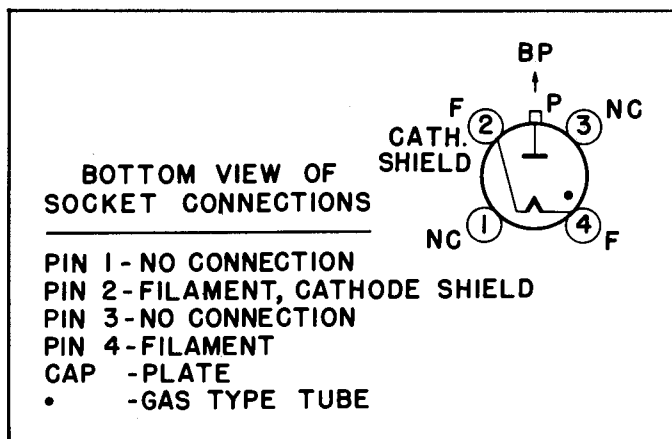
**For use under the conditions of the 10000-volt peak inverse rating. If the 866-A/866 is to be used under frequency and/or temperature conditions such that the peak inverse voltage is limited to 5000 volts, the a-c input voltage and d-c output voltage values in the table should be multiplied by a factor of 0.5 to give new values for the 5000-volt conditions.





CIRCUIT	INPUT VOLTS/ MAXIMUM A-C (RMS)	APPROX. D-C OUTPUT VOLTS TO FILTER	MAXIMUM D-C OUTPUT CURRENT AMPERES
1	3535 per tube	3180	2.5
2	4080 per leg	4780	3.75
3	7070 total	6360	2.5
4	4080 per leg	9570	3.75
5	4080 per leg	4780	7.5

1 Max. peak inverse voltage of 10,000 volts.



Eimac
EITEL-McCULLOUGH, INC.
 SAN BRUNO, CALIFORNIA

HR HEAT DISSIPATING CONNECTORS

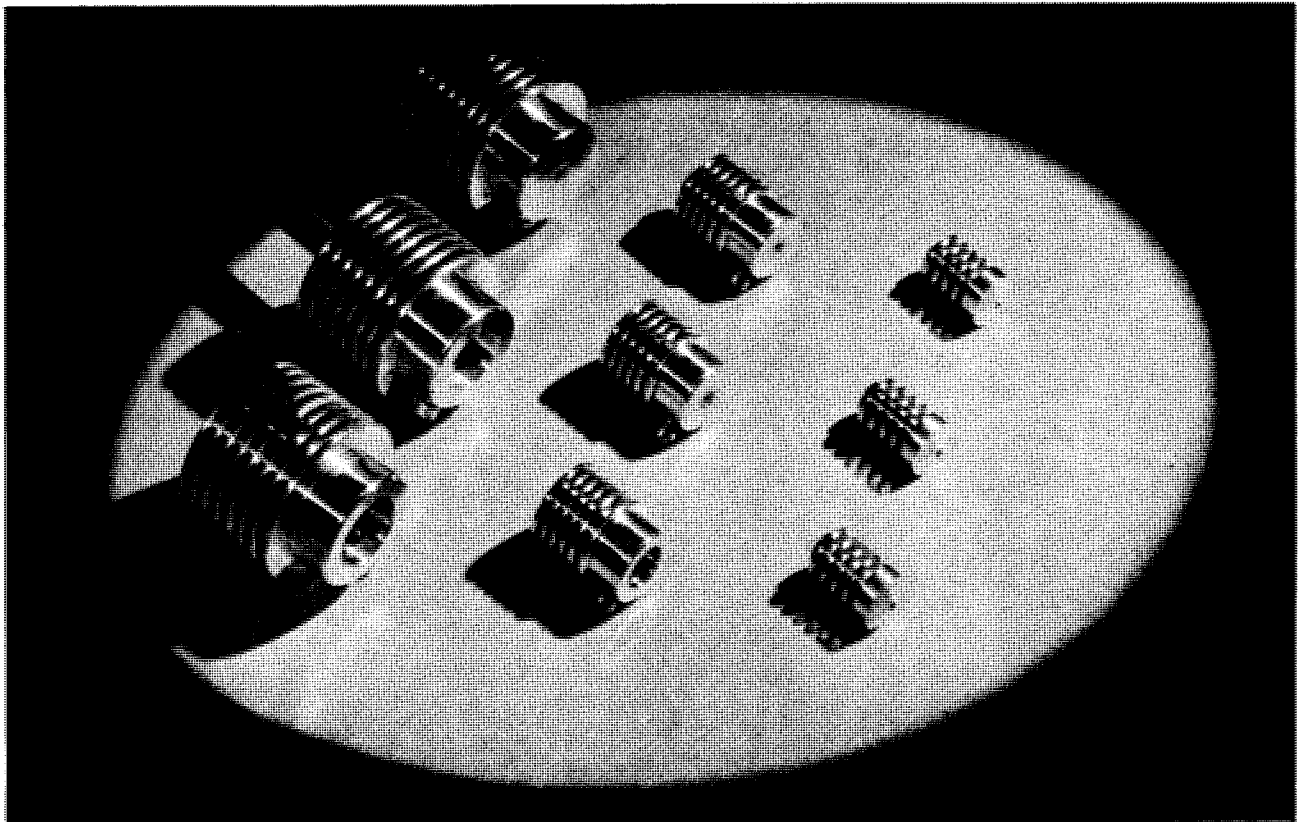
Eimac HR Heat Dissipating Connectors are used to make electrical connections to the plate and grid terminals of Eimac tubes, and, at the same time, provide efficient heat transfer from the tube element and glass seal to the air. The HR connectors aid materially in keeping seal temperatures at safe values. However, it is sometimes necessary to forced-air-cool the connector by means of a small fan or blower. In such cases the air flow should be parallel with the fins of the connector. De-

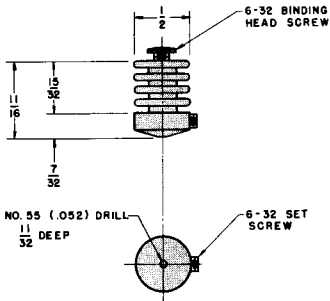
signed for use on the larger tubes, the HR-9 Heat Dissipating Connector is provided with an air duct to conduct the cooling air directly to the glass seal.

HR Heat Dissipating Connectors are machined from solid dural rod, and are supplied with the necessary machine screws. The table below lists the proper connectors for use with each Eimac tube type.

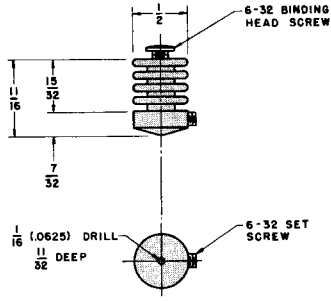
TUBE	PLATE CONNECTOR	GRID CONNECTOR	TUBE	PLATE CONNECTOR	GRID CONNECTOR
25T	HR-1	1000T	HR-9	HR-9
3C24	HR-1	HR-1	1500T	HR-8	HR-9
35T	HR-3	2000T	HR-8	HR-9
35TG	HR-3	HR-3	4-125A	HR-6
UH50	HR-2	HR-2	4-250A	HR-6
75TH-TL	HR-3	HR-2	RX21A	HR-3
100TH-TL	HR-6	HR-2	KY21A	HR-3
152TH-TL	HR-5	HR-6	100-R	HR-8
250TH-TL	HR-6	HR-3	2-150A	HR-5
304TH-TL	HR-7	HR-6	2-150D	HR-6
450TH-TL	HR-8	HR-8*	250-R	HR-6
750TL	HR-8	HR-8			

*The grid terminal of the 450TH-TL type tube is now .560" in diameter. To accommodate existing equipment designed for the older style 450TH-TL having .098" diameter grid terminals, an adapter pin is provided with the newer tubes. This adapter pin is threaded so that it may be removed from the grid terminal of the tube. The small grid terminal requires an HR-4 connector.

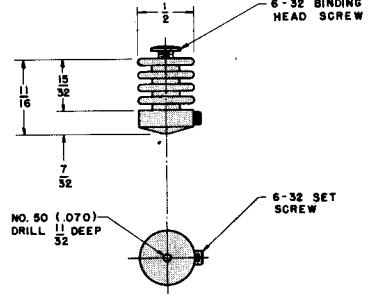




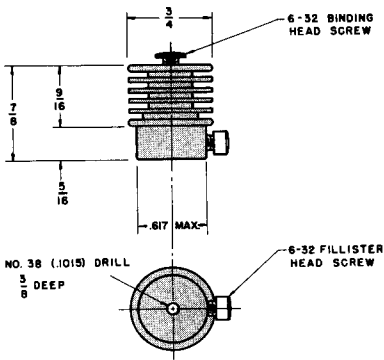
HR - 1



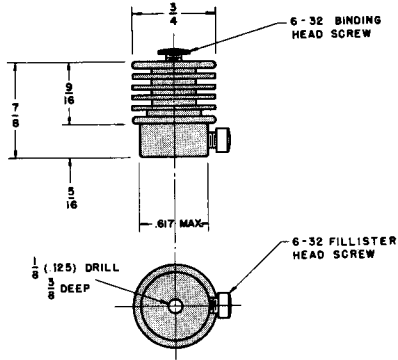
HR - 2



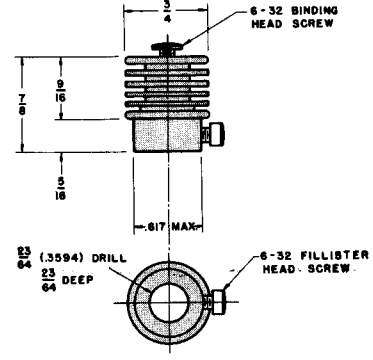
HR - 3



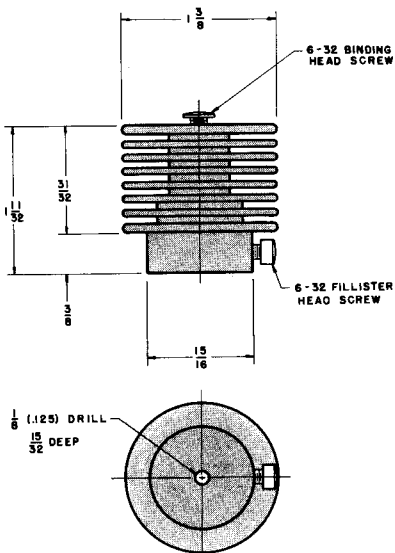
HR - 4



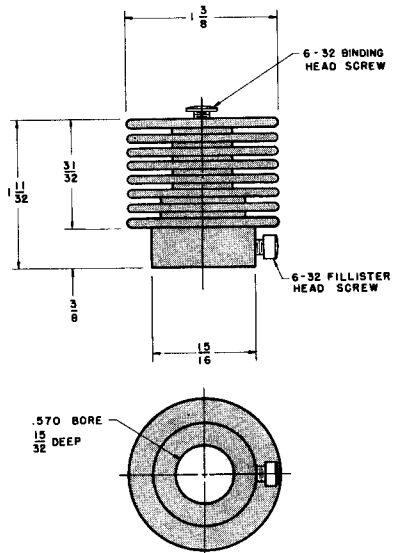
HR - 5



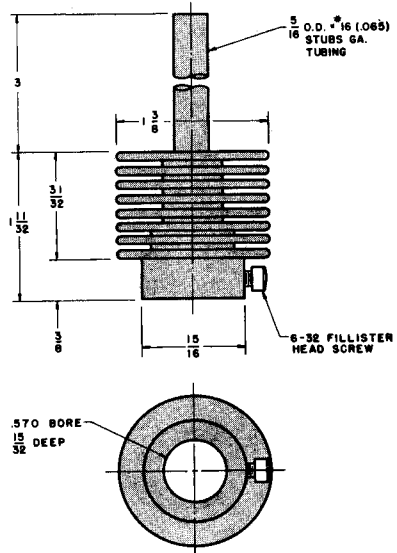
HR - 6



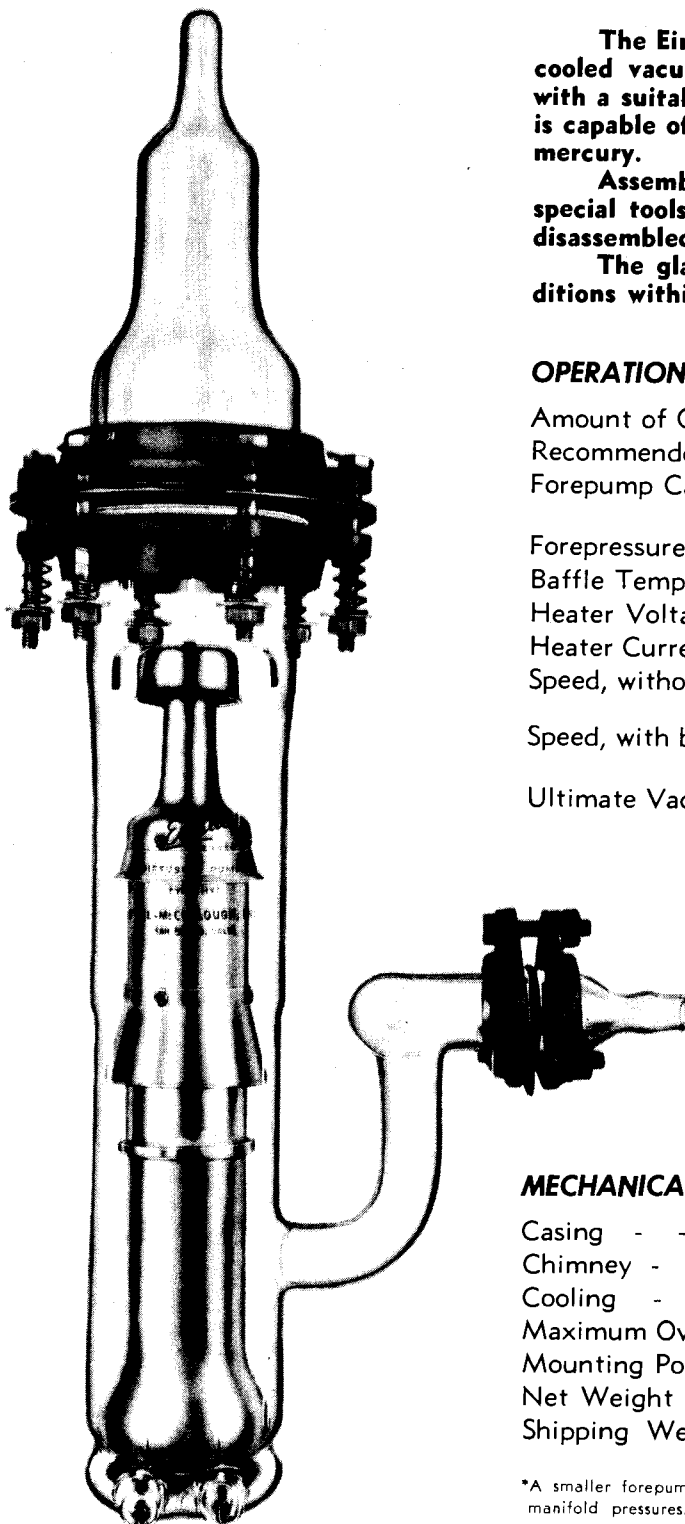
HR - 7



HR - 8



HR - 9



The Eimac HV-1 Diffusion Pump is a fast, triple-jet, air-cooled vacuum pump of the oil-diffusion type. When used with a suitable mechanical forepump and Eimac type A oil it is capable of reaching an ultimate vacuum of 4×10^{-7} mm of mercury.

Assembly of the pump is a simple operation, requiring no special tools or intricate adjustments. It can be completely disassembled for cleaning in five minutes or less.

The glass construction permits rapid inspection of conditions within the pump.

OPERATIONAL DATA

Amount of Oil	- - - - -	150 milliliters
Recommended Oil	- -	Eimac Diffusion Pump Oil, Type A
Forepump Capacity*	- - -	0.1 to 2.0 liters per second at 0.001 mm of mercury, or less
Forepressure (maximum)	- - - -	0.02 mm of mercury
Baffle Temperature	- - - - -	35° C or lower
Heater Voltage	- - - - -	100 to 110 volts
Heater Current (at 110 volts)	- - - - -	1.7 amperes
Speed, without baffle (approx.)*	- - -	67 liters per second at 4×10^{-4} to 4×10^{-6} mm Hg
Speed, with baffle (approx.)*	- - -	32 liters per second at 4×10^{-4} to 4×10^{-6} mm Hg
Ultimate Vacuum, at 25° C (approx.)	- -	4×10^{-7} mm Hg when using recommended oil.

MECHANICAL DATA

Casing	- - - - -	Pyrex Glass
Chimney	- - - - -	3 Jet, Aluminum
Cooling	- - - - -	Air
Maximum Overall Dimensions	- - -	See Outline Drawing
Mounting Position	- - - - -	-Vertical, boiler down
Net Weight	- - - - -	11 pounds
Shipping Weight	- - - - -	16 pounds

*A smaller forepump may be used, but this will reduce the pumping speed at the higher manifold pressures.

OPERATION

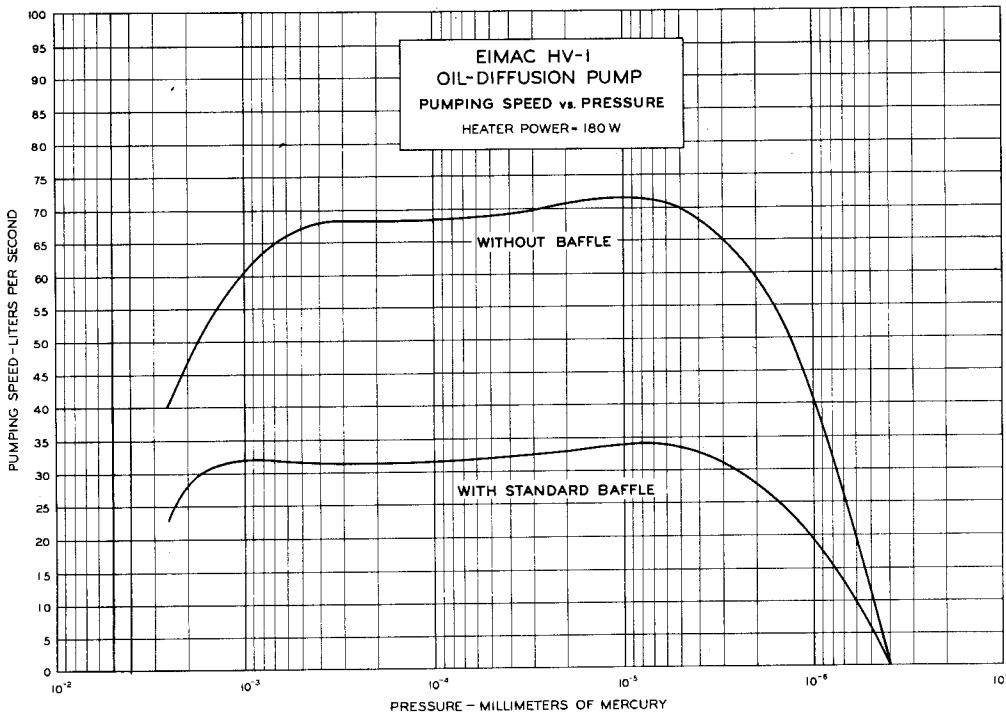
The principle upon which the oil-diffusion pump operates may be explained as follows. The drawing on page three illustrates the accepted theory. Gas to be removed from the high-vacuum system enters the pump at the top, whence it moves into the region of the upper jet. Emerging from this jet is a stream of oil vapor which is generated by the electrically-heated oil boiler at the bottom of the pump. Molecules of the unwanted gas diffuse into this stream of oil vapor and are carried down and out toward the cooler glass-wall of the pump. Upon reaching the glass-wall, the oil vapor condenses to a film of liquid oil which runs down the wall and returns to the boiler. The gas molecules are forced downward by the oil vapor and gas above them and come under the influence of the middle jet, where they are again forced down toward the bottom of the pump by a stream of oil vapor.

in the system are to be avoided wherever possible. A short length of small-bore tubing can cause a considerable reduction in pumping speed.

Pumping speed is also affected by the capabilities of the forepump. The forepump must be able to remove the gas from the system while maintaining the required low pressure at its end of the diffusion pump.

Increased pumping speed may be obtained by operating several HV-1 units in multiple. The number of units which may effectively be used in multiple will be determined by the ability of the forepump to produce the required forepressure, and the ability of the manifold and tubulations to handle the desired pumping speed.

The HV-1 is capable of reaching an ultimate vacuum of 4×10^{-7} mm of mercury. To reach this low pressure, however, it is essential to avoid any contaminant in the high-vacuum system. Water, even in small amounts, or



The curves at the left show the gas handling capabilities of the HV-1 over a range of pressures both with and without a baffle. These curves apply when a forepump with the required capacity is used. The rapid loss in pumping speed at the higher pressures is due to the inability of the forepump to handle the necessary volume of gas. With a larger forepump, the pumping speed would be maintained out to higher pressures.

The process of "packing" the molecules of gas down toward the bottom of the pump is again repeated at the bottom jet. During pumping, as the manifold pressure drops, the amount of oil issuing from the lower jet is sufficient to form a visible ring of oil on the wall of the pump at a point well below the bottom skirt. In this region the concentration of gas is great enough to raise the pressure to a point which will allow a mechanical forepump to effectively remove the gas from the system.

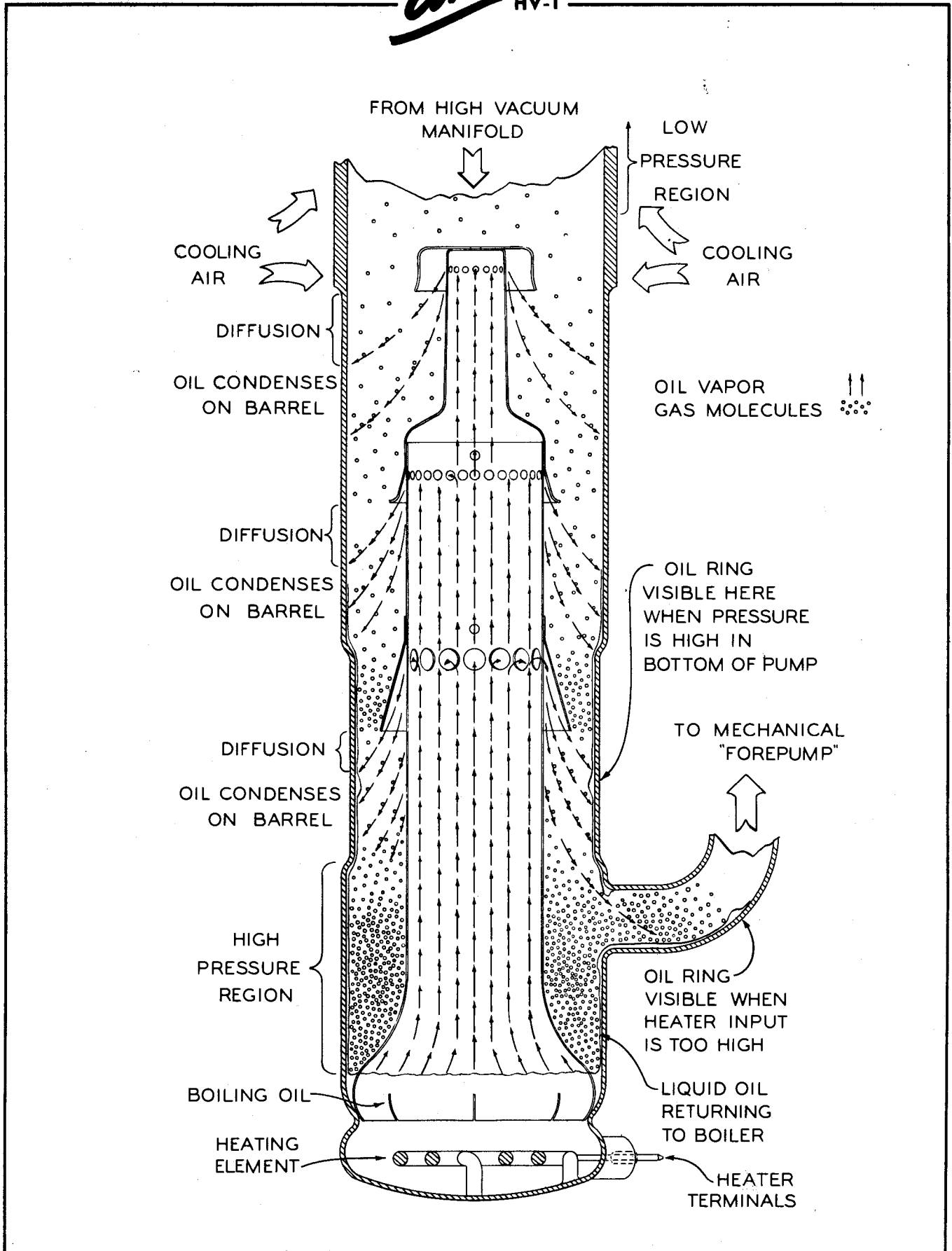
To prevent small amounts of oil vapor from finding their way back into the high-vacuum side of the system, a baffle is often employed between the diffusion pump and the high-vacuum system. In the HV-1 this baffle is a pair of aluminum discs which are kept relatively cool by the pump cooling fan. Oil vapor reaching the baffle condenses and is returned to the boiler. The baffle reduces the pumping speed by about one-half. If there are several bends in the high-vacuum manifold between the pump and the space to be evacuated, the baffle may be dispensed with, as the bends will serve to collect the oil vapor. However, the bends will also reduce the pumping speed. This is well illustrated in the curves. Constrictions

any hygroscopic matter should be carefully excluded. When so located as to be affected by heat, rubber is particularly objectionable, and a poor ultimate vacuum is likely to result if rubber gaskets are used in the diffusion pump. For this reason, Neoprene gaskets are supplied with the HV-1.

In systems employing stop-cocks, valves or gaskets, it is necessary that the stop-cock, valve or gasket lubricant have the minimum possible vapor pressure, because poor lubricants can easily destroy the high-vacuum capabilities of the pump.

APPLICATION

The HV-1 diffusion pump must be mounted securely, but not too rigidly. A satisfactory method of mounting consists of 1 X 1 X 1/8 inch angle shaped and drilled to pass four of the six spring loaded bolts used to join the large flanges at the top of the barrel (see illustration). When the desired manifold has been sealed to the manifold adapter (914 on outline drawing), the pump is prepared for operation (after rinsing thoroughly as specified under "cleaning") in accordance with the following procedure:



1. Pour 150 milliliters of Eimac Diffusion Pump Oil, Type A, into the pump barrel (917).
2. Insert the aluminum jet assembly (4911) into the pump barrel.
3. Assemble the pump carefully, moistening both sides of each gasket with pump oil, or with a thin layer of heavy-grade "Celvacene," or equivalent grease.
4. Install the pump in its mounting.
IMPORTANT: DO NOT START DIFFUSION PUMP HEATER UNTIL FOREPUMP IS IN OPERATION AND SYSTEM IS FREE OF LEAKS, TO AVOID PREMATURE HIGH TEMPERATURE AND DECOMPOSITION OF THE OIL.
5. After making certain that the forepump is connected to the nipple (8911) through the suitable flexible coupling (vacuum-hose or vacuum type bellows), start the forepump motor. Check the manifold with a Tesla or other high-voltage, high-frequency spark coil for leaks BEFORE CONTINUING.

The Tesla coil, with a flexible wire probe may be used to indicate the presence of leaks above the baffle. It is also valuable in estimating pressure in the manifold during the early stages of evacuation. **CAUTION:** Too high a voltage may puncture the manifold at its weak points, i. e. where the glass may be very thin or at a seal-off tubulation. A rough indication for a suitable Tesla voltage is that which will produce a corona of about one-eighth inch on the end of a No. 14 B & S probe wire, visible in the dark only, and a stringy spark not over five-eighths inch to a grounded metal surface.

If the system is known to be free of leaks, the forepump and HV-1 may be started together. However, to protect the system and its oil, the manifold first should be checked with the Tesla coil, with the HV-1 "off." When the cold oil stops bubbling and the pink glow is seen to be diminishing at a normal rate, the system may be assumed to be reasonably tight and the HV-1 may be started.

6. Connect the oil heater terminals via a switch to the source of power. The oil heater voltage should be set to between 100 and 110 volts for best results. An adjustable resistor or an auto transformer of the tapped or continuously variable types is recommended. The current at 110 volts is approximately 1.7 amperes.
7. The baffle assembly and upper end of the pump barrel should be kept cool (35° C or lower) by a small fan or blower (see illustration).

OIL—Eimac Type A Diffusion Pump Oil is a special petroleum product carefully processed by Eitel-McCullough, Inc. to afford the high-vacuum desired in diffusion pump work. The ultimate vacuum attainable for Type-A oil is on the order of 10^{-7} mm Hg. Its boiling-point at pressures on the order of 10^{-2} mm Hg is 135° C.

One noteworthy property of this oil is that under normal conditions, no particles of condensed oil will be found deposited in the high-vacuum manifold. This lack of condensation is indicative of the absence of "light ends." Such products of distillation usually must be barred from the high vacuum system by the use of liquid air or charcoal traps which invariably reduce the speed of any system and require extensive maintenance.

VACUUM GAGES—To properly evaluate the vacuum conditions at the manifold, a sensitive gage in the desired range is necessary. There are many systems used for this purpose, the most sensitive in the high-vacuum spectrum being the Ionization (or Ion) gage. Its range of usefulness extends from approximately 5 microns to a region in the upper experimental vacuum limits on the order of 10^{-8} microns (5×10^{-3} to 10^{-9} mm Hg). Recently, tubes and circuits have been developed which con-

tribute to the high stability of this instrument. The Eimac type 100-IG Ion Gage tube is designed to give the maximum internal leakage path, thus avoiding erratic readings due to possible contamination from the system.

LEAKS—If the system does not "clean-up" in a reasonable time, considering the nature and size of the manifold and connected chambers, a leak may be looked for by means of the Tesla coil. The probe should be run over the entire surface of the glass work involved. A "fast" leak will be indicated where sparks concentrate at a point on the glass and a pinkish glow takes place within the evacuated space.

Where a slow leak is suspected, before "bake-out" and where the vacuum is high but still not satisfactory, a solvent such as carbon tetrachloride may be applied to the manifold surface with an atomizer, a wad of cotton or brush. If a leak is found, the Tesla voltage will cause a marked bluish glow while the solvent is entering the aperture, or the ion gage reading will indicate increased pressure.

After "bake-out" or when the manifold is too hot for the application of liquids, illuminating gas or hydrogen may be applied to the surface from an unlighted torch. Gas entering the hole will effect the ionization gage reading immediately. A very small leak may be found in this way. If there are no leaks, the manifold and pump assembly is ready for use¹.

With the manifold at high vacuum, no ionization will be apparent from the effects of a Tesla probe held on the manifold (above the baffle). Below the baffle on the barrel of the HV-1 pump the probe will cause fluorescence of the oil vapors as well as a visible disturbance of the oil flow below the jets. The probe when touched to the HV-1 outlet will show a faint blue-violet glow. If these first two conditions are obtained, but a pinkish glow is present in the outlet, the mechanical pump and its coupling should be checked.

For new oil, or after an oil change, the pump will require about 24 hours of operation to condition the oil for optimum performance. Approximately 15 minutes heating time is required for the HV-1 to reach full efficiency from a cold start.

PRECAUTIONS

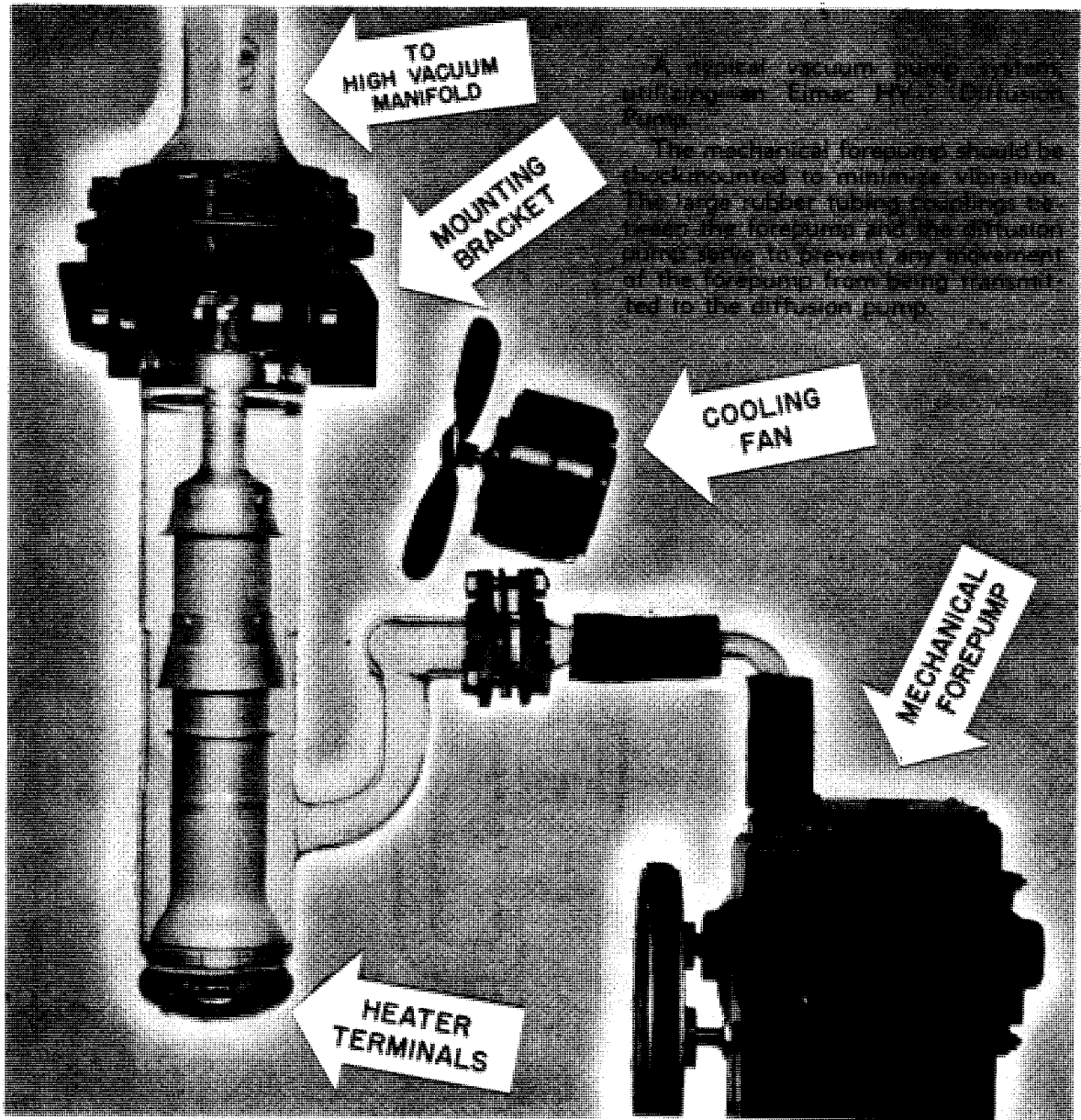
1—The vacuum system should not be opened "to air" when the diffusion pump is hot, to prevent oxidation of the pump oil. 2—If at any time a white vapor is visible in the HV-1, both pumps should be immediately shut off. The vapor is an indication of forepump failure or a very rapid leak. If the oil has become dark, the system may require complete cleaning. 3—Ground leads should be provided on both flange couplings to prevent the Tesla voltage from puncturing the Neoprene gaskets.

CLEANING

Diffusion pumps in continuous use should be cleaned at approximately one-month intervals. The materials and facilities required for cleaning are: Carbon tetrachloride and pentane (or acetone). An oven capable of temperatures up to 500° C will allow complete removal of carbonaceous deposits. The oven should be provided with an air inlet and outlet to allow the products of oxidation to be carried off. An accurate temperature control and indicator are advisable to prevent mishap to the glass parts. Where an oven is not available, steel wool, water and some abrasive cleanser such as diatomaceous earth

¹"Bake-out" consists of surrounding the manifold and work to be evacuated with an oven. The temperature is then raised and held just under the annealing point for the "softest" glass being used in the system (approximately 500 degrees C for Pyrex). The temperature is maintained for thirty minutes to an hour, or at least until the new glass in the system shows no fluorescence on application of the Tesla voltage. This "cleans up" the glass-ware to a point where it will not normally release further gas. An accurate thermocouple type temperature indicator and heater control are advisable to prevent mishaps to the system during "bake-out."

²Contamination in the system such as decomposed oil, or a source of high vapor pressure in the load will give "virtual leaks" or unfavorable maximum vacuum readings.



A typical vacuum pump system utilizing an Eimac HV-1 Diffusion Pump.

The mechanical forepump should be shockmounted to minimize vibration. The large rubber tubing couplings between the forepump and the diffusion pump serve to prevent any movement of the forepump from being transmitted to the diffusion pump.

may be used. The procedure is given in the following paragraphs.

GLASS HOUSING BARREL—New housings should be given a rinse with a cup of pentane or acetone and then warm-air dried. (CAUTION: pentane and acetone are inflammable. Keep away from open flames.) Used, dirty housings should have the excess of oil fluid rinsed out with two or three flushings of about one cup (per rinse) of carbon tetrachloride. The last rinse may be saved for the first wash of the following pieces. To remove adhering carbonaceous matter after draining, the housing should be baked out in an oven up to 500° C. If the housing is not too caked, a rinse with pentane or acetone and gentle drying with warm air (in place of baking out in the oven) is sufficient.

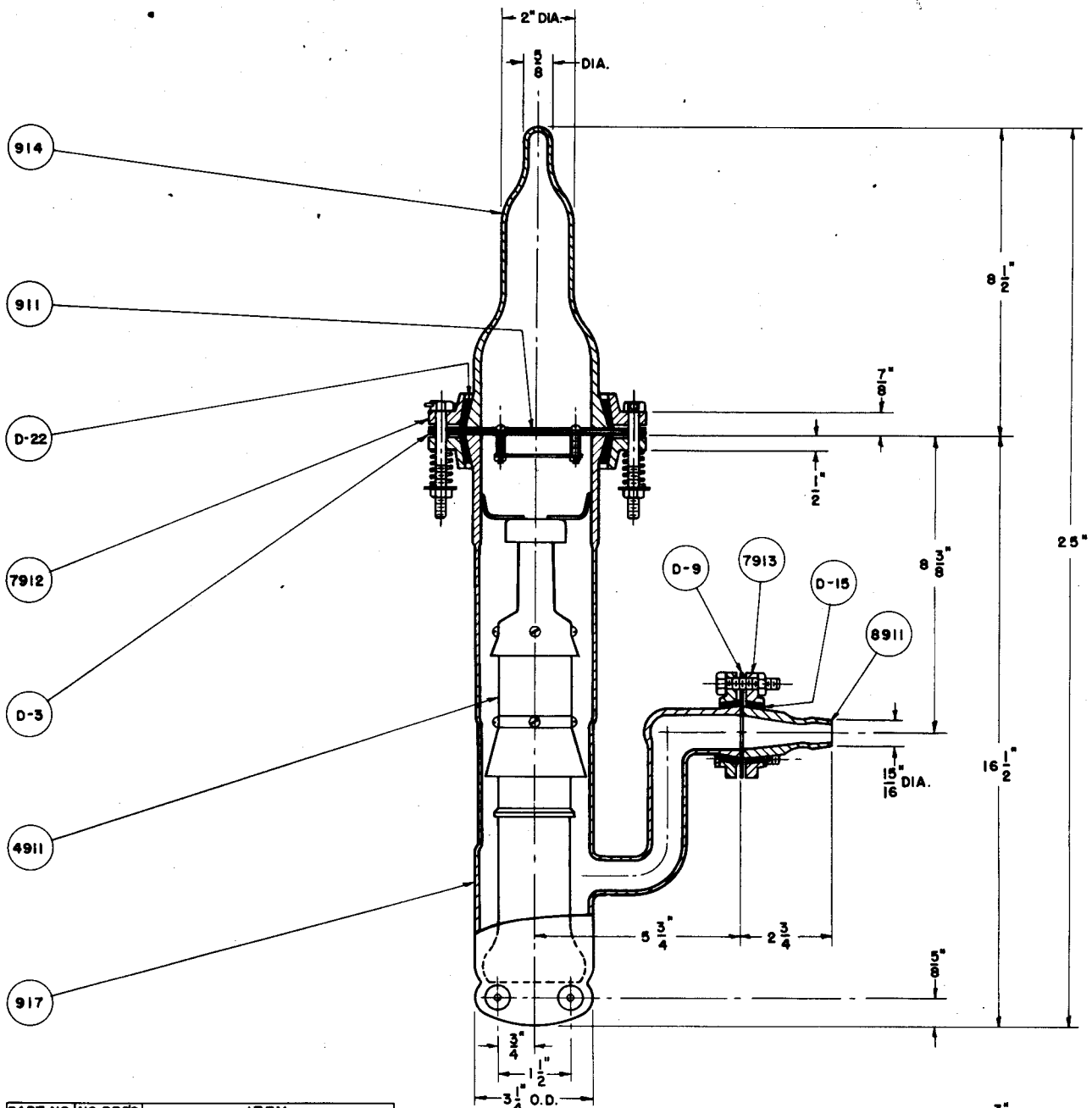
ALUMINUM JET ASSEMBLY—The jet assembly may be cleaned at the same time that the glass housing barrel is cleaned by inserting the assembly into the glass housing, pouring in the rinse solution and closing the top opening with a stopper. Agitate the solution by tilting and shaking

the pump so that all parts are well washed over. Always remove the stopper and jet assembly after washing, prior to draining, baking or air drying. To further remove hard carbonaceous material, the assembly, less baffle, should be placed in an annealing oven and heated carefully to 475° C, then allowed to cool slowly in air.

BAFFLE—The baffle should be disassembled and all parts rinsed three times with pentane or acetone; the last two rinsings must be with clean solution. Follow with warm-air drying.

NEOPRENE GASKETS—Wash the gaskets in carbon tetrachloride or alcohol, then wipe with a clean cloth in place of warm-air drying.

GLASS MANIFOLDS—Use the same procedure as for the glass housing barrel when feasible. However, usually washing with pure water and alcohol, followed by warm-air drying, may be sufficient because there is less formation of carbonaceous matter here than in the case of the pump housing.



PART NO.	NO. REQD	ITEM
911	1	BAFFLE ASSEMBLY
914	1	MANIFOLD ADAPTOR
917	1	PUMP BARREL ASSEMBLY
4911	1	JET ASSEMBLY
7912	1	3" METAL FLANGE ASS'Y *
7913	1	1" METAL FLANGE ASS'Y *
8911	1	FORE-VAC NIPPLE
D-3	2	NEOPRENE GASKET-3" COUPLING
D-9	1	NEOPRENE GASKET-1" COUPLING
D-15	2	1" INSERT
D-22	2	3" INSERT

* EACH FLANGE ASSEMBLY INCLUDES NECESSARY FLANGES, GASKETS, INSERTS, BOLTS AND HARDWARE.

